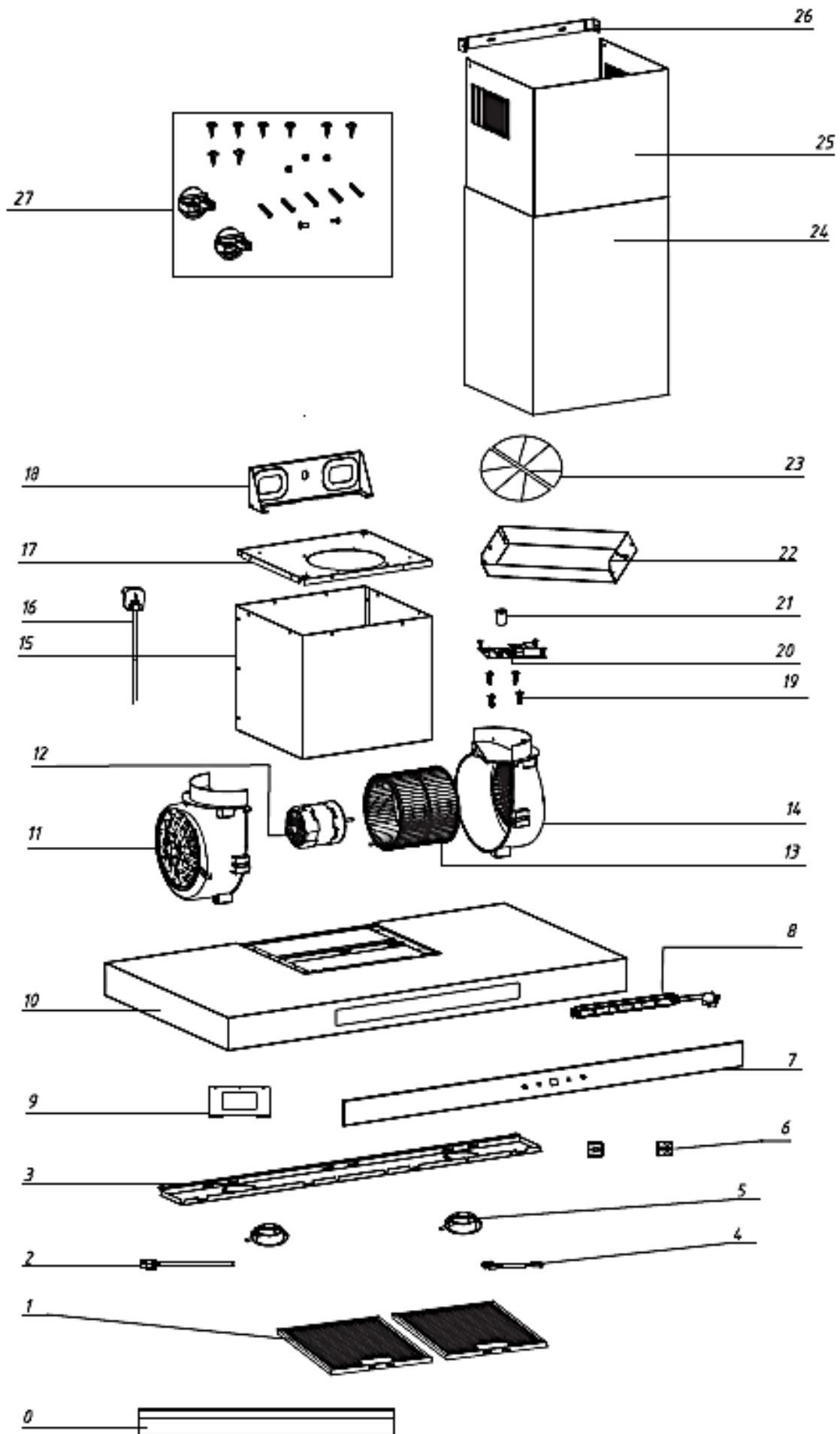


RHWC60TBWDC



RHWC60TBWDC

SEQ	Part Number	Description	Qty on Product
0	2010700019	Oil catcher	1
1	30405100082	Filter - 340*269.5 mm	2
2	30105200062	Switch connection wire	1
3	30309500069	Lamp's board	1
4	30105100023	Connection Line	1
5	30104700006	LED Lamp	2
6	30309800069	Switch bracket	1
7	30501300008	Touch panel glass	1
8	30103700286	Electronic Switch	1
9	30312100132	Auxiliary switch bracket	1
10	Parts not available outside of production	Range Shell Components	1
11	Parts not available outside of production	Motor housing - left	1
12	Parts not available outside of production	Motor	1
13	30404800005	Blade	1
14	Parts not available outside of production	Motor housing - right	1
15	2010200030	Cooker cabinet component	1
16	30102400088	Power cord	1
17	30311200047	Transition box	1
18	30309400002	Range Mounting Bracket	1
19	30200100007	The fixing foot of PCB	6
20	30101500209	PCB	1
21	30202700004	Anti-jamming magnetic ring	1
22	30310000034	Electric box	1
23	30205300010	Outlet cover	2
24	30309300207	Outer chimney	1
25	30309300380	Inner Chimney	1
26	30309400003	Flue Mounting bracket	1
27	2011400067	Accessory bag	1