

## Description

ROBINHOOD 90CM PREMIUM WALL CANOPY  
**RHWC1600B (DUKE BLACK)**



## Key Features

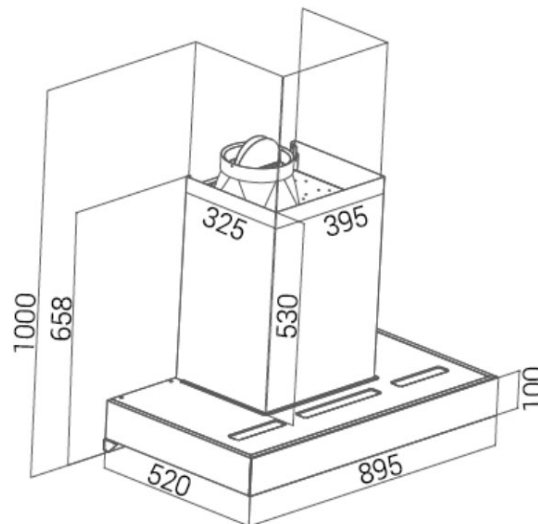
**Max Motor Performance**  
 1600 m<sup>3</sup>/hr

**AC Motor**  
 Fully sealed AC motor in weldless casing

**Metal Fan Blades**  
 With Teflon finish to ensure smooth air flow

**Touch Control**  
 User friendly control enables easy operation

**Lower Noise Level**  
 46dB at power level 1



Issue 3: 16/04/2021

## Specifications

### AESTHETICS

Rangehood Type	Premium Wall Canopy
Finish	Stainless Steel + Black Glass
Filter Type	1 * Patented Steel Cleaningless Filter
Light	1 * 4W LED

### TECHNICAL DETAILS

Power Levels	3
Motor Wattage	200W
Voltage/Frequency	240V/50Hz
Total Power Consumption	204W
Plug	Fitted, 10AMP

### DUCTING

Ducting Diameter	Ø180mm
Ducting Type	Ducted Only
Exterior Ducting Outlet	#304 Stainless Steel exterior outlet included

### DIMENSIONS & WEIGHTS

Flue Dimensions (W*D*H)	395*325*(400-900)mm
Optional Extension Flue (W*D*H)	395*325*510mm (EXTKITDECN27) 395*325*810mm (EXTKITDECN30)
Product Dimensions (W*D*H)	895*520*(658-1000)mm
Carton Dimensions (W*D*H)	958*670*585mm
Net/Gross Weight	30.0/35.0Kg

IEC 61591 Test Data		
Power Level	Air Flow (m <sup>3</sup> /hr)	Noise Level (dB)
1	770	46
2	902	50
3	1163	55