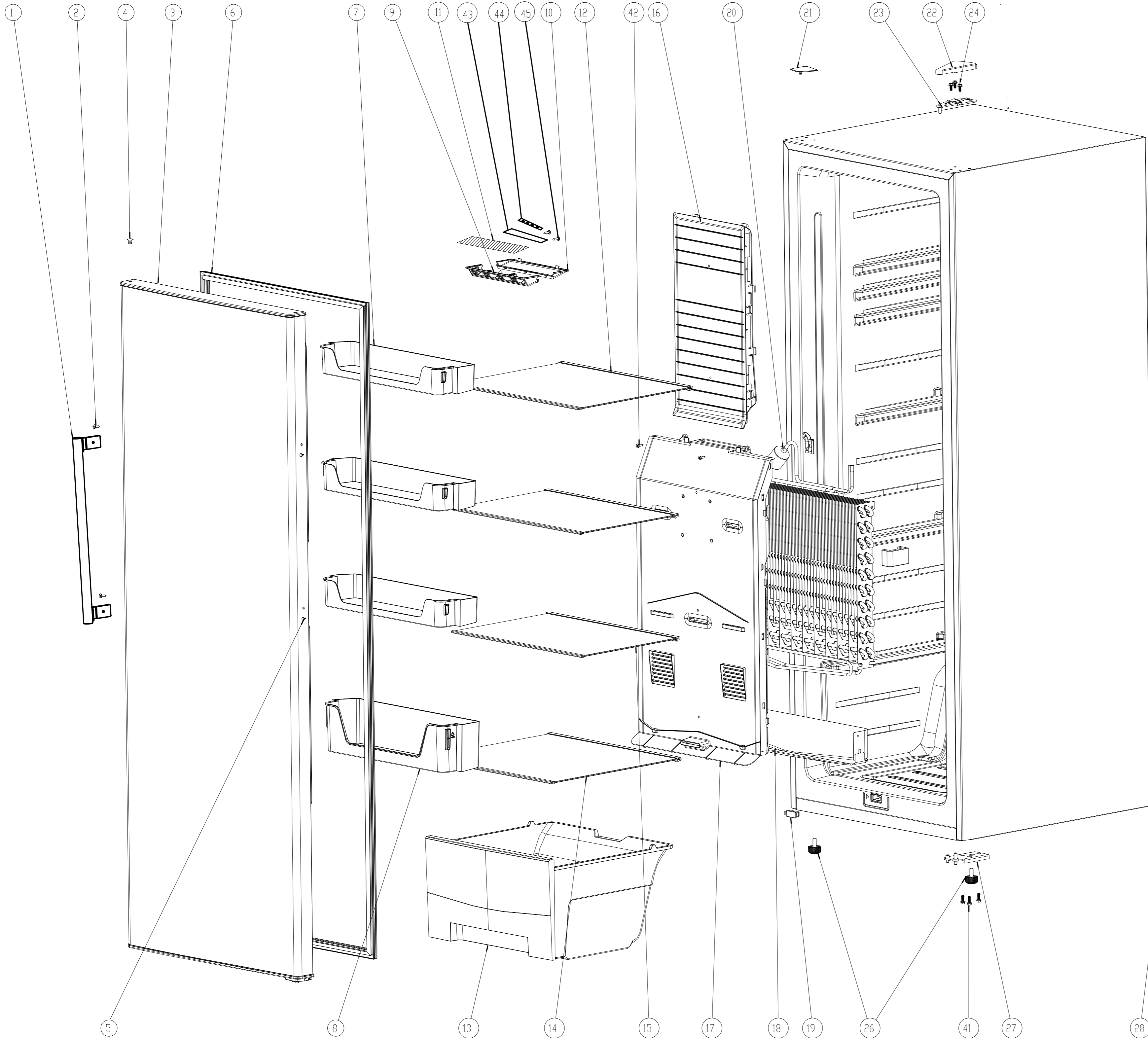
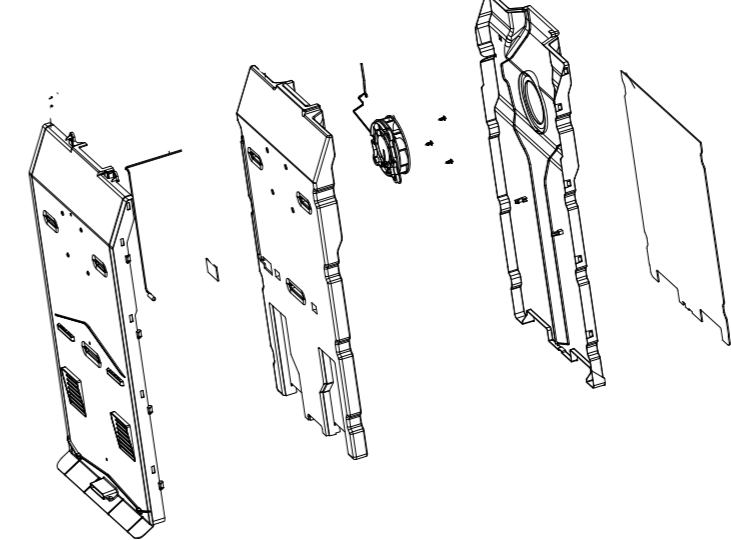


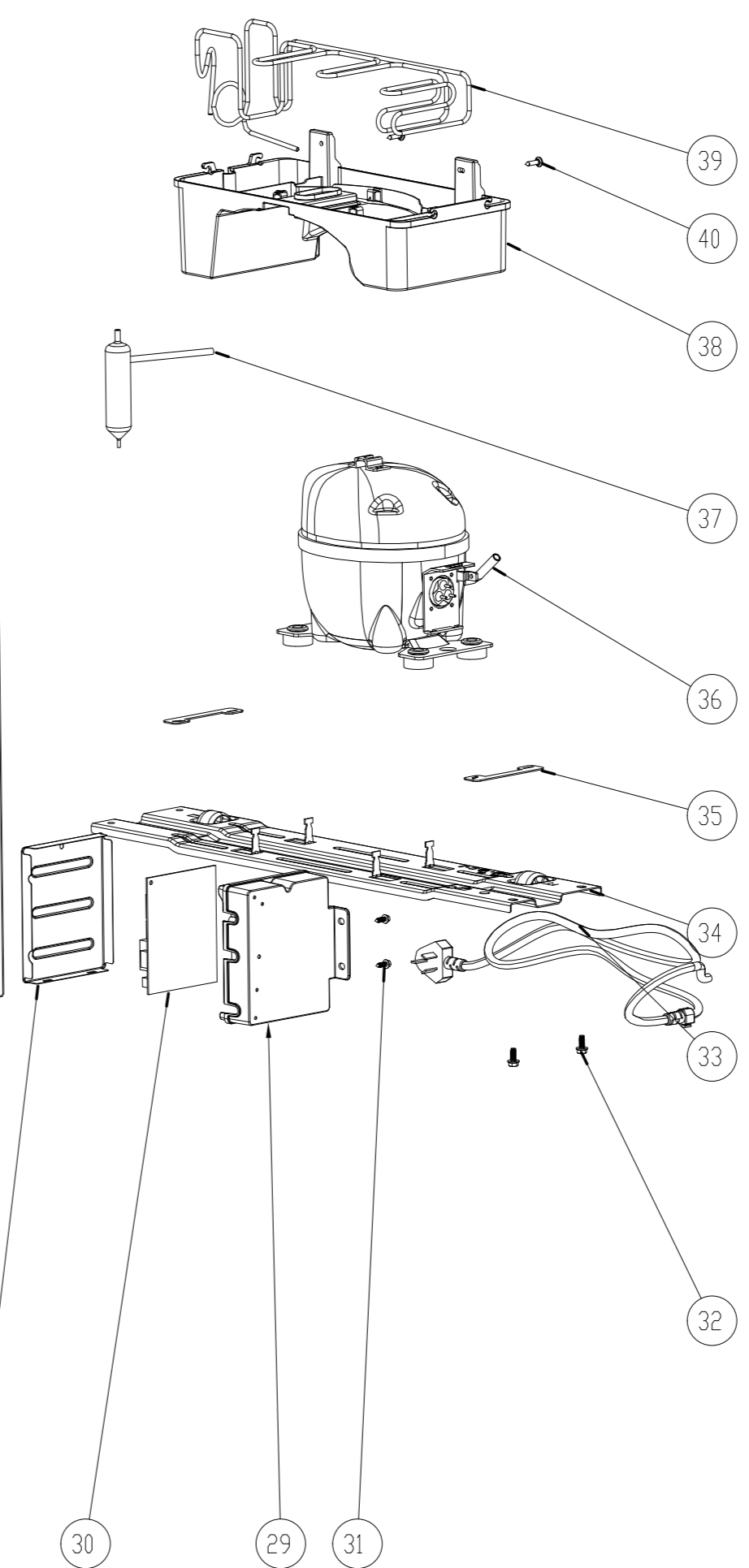
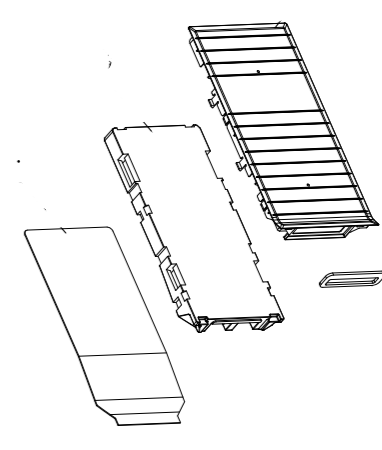
RHVF332X EXPLODED VIEW & PARTS LIST



Bottom Freezer Air Duct Component



Top Freezer Air Duct Component



SEQ	PART NO.	QTY	DESCRIPTION
1	208010004934	1	HANDLE
2	218010000040	2	SCREW OF HANDLE
3	208010000479	1	FOAMED FREEZER DOOR ASSY
4	228010003167	1	PLUG
5	228010001847	2	SCREW HOLE COVER
6	228010004977	1	FREEZER DORR SEAL ASSY
7	228017000289	3	LITTLE FRAME
8	228017000289	1	BOTTLE FRAME
9	228010004068	1	LED LAMP BOX
10	228010004067	1	LAMP COVER
11	258010002270	1	DISPLAY PCB
12	208010004792	1	GLASS SHELF-1
13	208010005013	1	VEGERABLE CRISPER
14	208010004794	1	CRISPER GALSS COVER
15	208010004793	2	GLASS SHELF-2
16	208010004761	1	TOP FREEZER AIR DUCT COMPONENT
17	208010004762	1	BOTTOM FREEZER AIR DUCT COMPONENT
17.2	258010001994	1	TEMPERATURE SENSOR
17.5	258010002102	1	FAN
18	208010005057	1	WATER CONTAINING PLATE
19	258010001992	1	MAGNETIC SENSITIVE SWITCH
20	298010000337	1	FREEZER EVAPORATOR
21	228010003972	1	SCREW HOLE COVER
22	228010000680	1	TOP HINGE COVER
23	208010000291	1	TOP HINGE
24	571000090529	4	TAPPING SCREW
26	228010004464	2	ADJUSTABLE LEG
27	208010000788	1	BOTTOM HINGE
28	218010003914	1	ELECTRIC BOX COVER
29	228010003835	1	ELECTRIC BOX
30	258010002360	1	MAIN PCB
31	571000090510	2	SCREW OF ELECTRIC BOX
32	571000090527	4	SCREW OF COMPRESSOR SUPPROT PLATE
33	258010002364	1	PLUG AND SUPPLY CORD
34	208010000529	1	COMPRESSOR SUPPORT PLATE
35	218010000330	2	PLATE
36	288010000307	1	COMPRESSOR
37	308010000045	1	DRY FILTER
38	228010004773	1	EVAPORATING DISH
39	298010000336	1	CONNECTOR WIRE
40	571000090510	2	SCREW OF EVAPORATING DISH
41	574000090023	3	SCREW OF BOTTOM HINGE
42	571000090562	2	SCREW OF FREEZER AIR DUCT COMPONENT
43	228010004066	1	LED LAMP FIXING BRACKET
44	TBA	1	LED LAMP BOARD
45	571000090509	2	SCREW OF LED LAMP