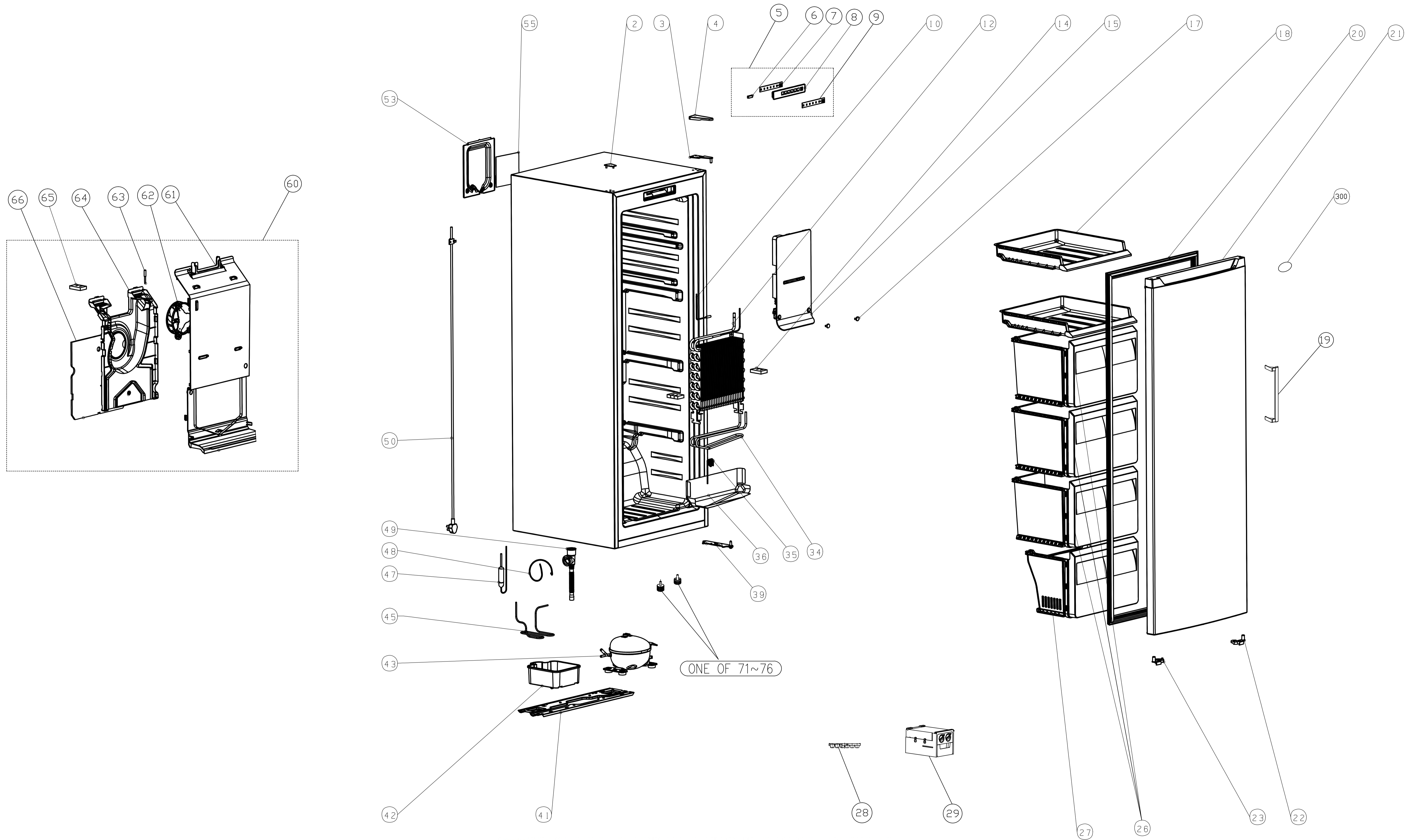


RHVF204W EXPLODED VIEW AND PARTS LIST



NOTE:
 The BOM of spare parts may be different from the explosive diagram. Purchase spare parts according to the BOM. The spare parts list is based on your actual configuration.
 If you cannot find certain spare parts, please contact your Sales Representative directly.

RHVF204W EXPLODED VIEW AND PARTS LIST

SEQ	PART NO.	QTY	DESCRIPTION
2	20122080033	1	DOOR HINGE SCREW COVER
3	3031400148	1	UPPER DOOR HINGE
4	20122080090	1	DOOR HINGE COVER
5	2500800974	1	THERMOSTAT CONTROLLER
6	3059900042	1	MAGNETRON SWITCH
7	2500300427	1	DISPLAY ELECTRIC BOARD
8	2207100373	1	DISPLAY BOARD BASE
9	2220910018	1	DISPLAY CONTROL PANNEL
10	3059900038	1	TEMPERATURE SENSOR
12	2400300110	1	FIN EVAPORATOR
14	2800100266	2	WIND SPONGE
15	2208500488	1	REFRIGERATION UPPER AIR DUCT COVER PLATE
20	2200200364	1	DOOR GASKET
21	2100350051	1	DOOR
22	2208510071	1	LOWER DOOR SUCTION AID
23	2208510072	1	LOWER DOOR LEFT SUCTION AID
26	2106161426	3	MIDDLE DRAWER
27	2106161427	1	LOWER DRAWER
34	2500700080	1	DEFROSTING HEATER
35	2400520001	1	DEFROSTING ROD
36	2305700107	1	HEATER WATER TANK
39	2301400034	1	LOWER RIGHT DOOR HINGE
41	2107100013	1	COMPRESSOR BRACKET
42	2207700166	1	DRAIN PAN
45	2402500101	1	EVAPORATIVE CONDENSER
47	2400500027	1	DRYING FILTER
48	20114070006	1	CONNECTING TUBE
49	2207700140	1	DRAIN PIPE
50	3050100125	1	POWER CORD
53	2305700109	1	COVER OF CONTROL BOARD
55	2500300457	1	ELECTRIC CONTROL BOARD
60	2107121022	1	FREEZE AIR DUCT,LOWER
61	2208500486	1	COVER PLATE OF REFRIGERATION LOWER AIR DUCT
62	2501000042	1	DC CENTRIFUGAL FAN MOTOR COMPONENTS
63	3059900039	1	TEMPERATURE SENSOR
64	2208500487	1	FREEZING AIR DUCT SUPPORT
65	2800100021	4	SEALING SPONGE OF FREEZE AIR DUCT
66	2800100267	1	PE SPONGE WITH ALUMINUM FOIL
71	20122990016	1	HIGH ADJUST FOOT
73	20122990023	1	HIGH FRONT FOOT
300	2700500692	1	TRADEMARK