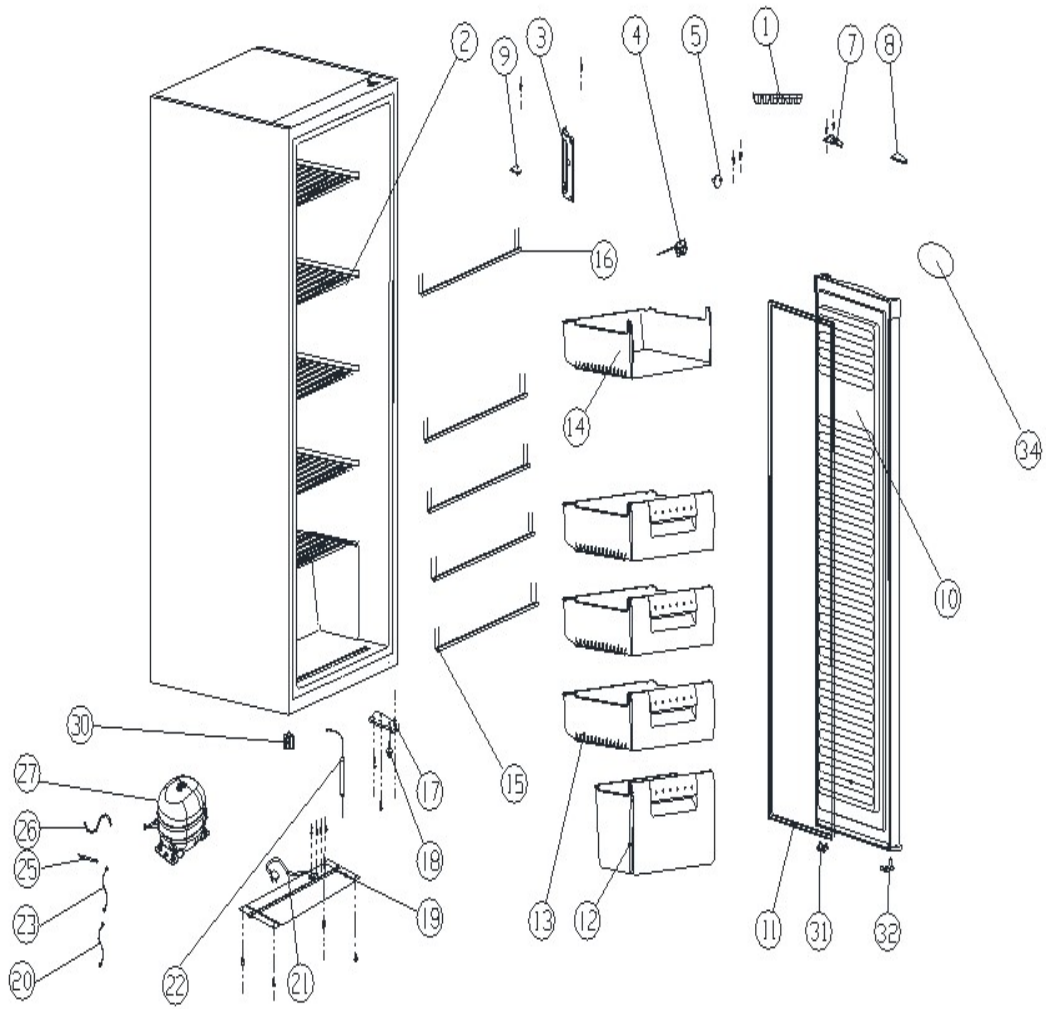


RHUF168W



RHUF168W

SEQ	PART NO.	QTY (in Product)	DESCRIPTION
2	2400300076	1	EVAPORATOR
4	3040200011	1	THERMOSTAT
5	20122010024	1	THERMOSTAT KNOB
7	3031400148	1	UPPER DOOR HINGE ASSEMBLY
8	20122080090	1	DOOR HINGE COVER
9	20122080033	1	SCREW COVER OF DOOR HINGE
10	2100100392	1	DOOR
11	2200200236	1	DOOR GASKET
12	2207301007	1	LOWER DRAWER
13	2207301095	3	MIDDLE DRAWER
14	2207301094	1	UPPER DRAWER
15	20122990560	4	SHELF BREAKER
16	20122990559	1	TOP SHELF BREAKER
17	3031400068	1	LOWER DOOR HINGE ASSEMBLY
18	20122990023	1	SHORT ADJUST FOOT
19	20105050009	1	COMPRESSOR BASE SUPPORT
21	3050100125	1	POWER SUPPLY CORD WITH PLUG
22	2400500027	1	DRIER FILTER
23	3050200094	1	GROUNDING WIRE OF COMPRESSOR
25	3040600005	1	PROCESS TUBE
26	20114070006	1	CONNECTING TUBE
27	2400100369	1	COMPRESSOR
30	20122990016	1	LONG ADJUST FOOT
31	2208510013	1	LOWER DOOR RIGHT AID-CLOSER
32	2208510020	1	LOWER DOOR LEFT AID-CLOSER
300	2700500692	1	TRADEMARK
301	2700121904	1	CARTON