

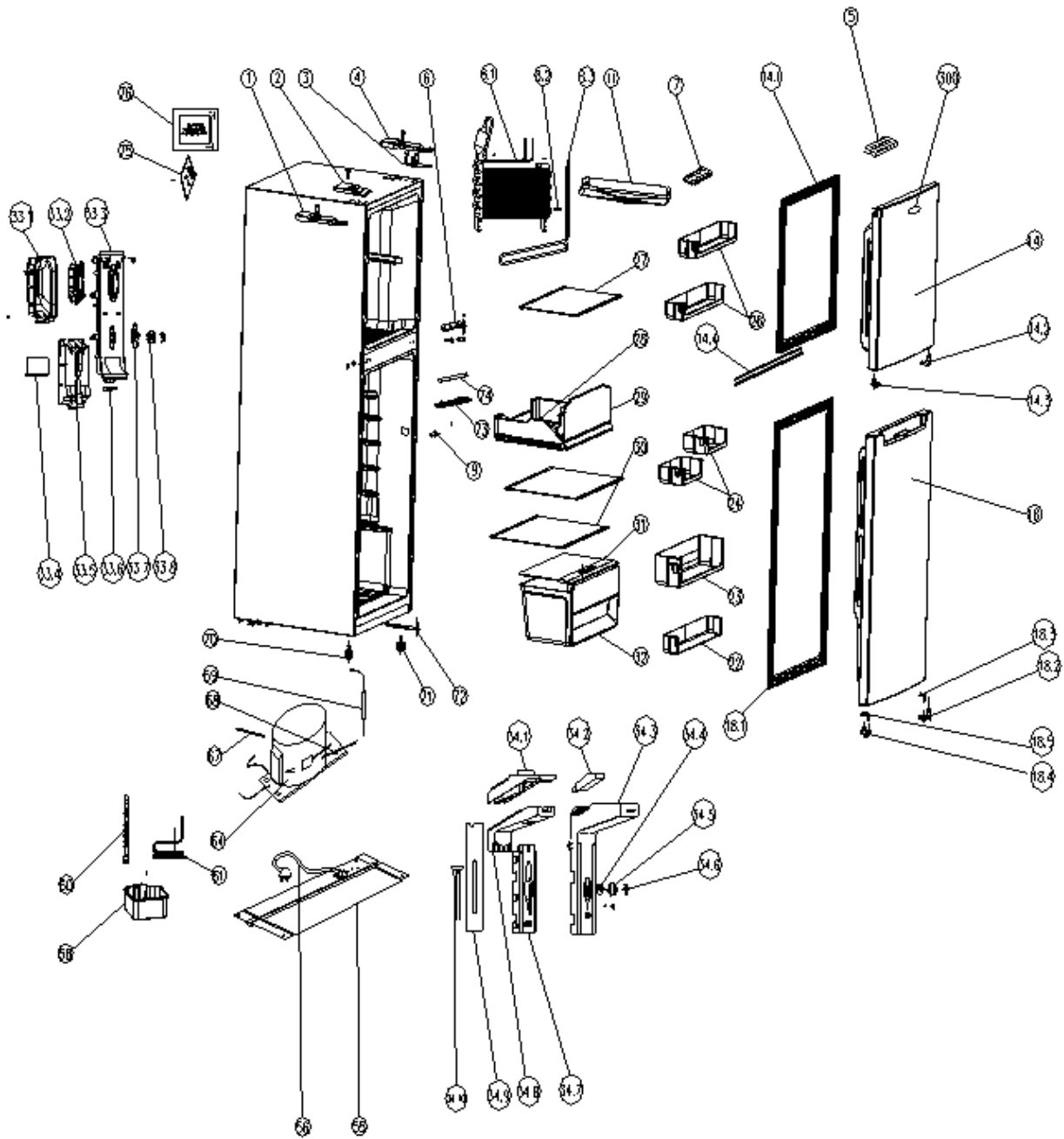
Description: **ROBINHOOD TOP MOUNT FRIDGE/FREEZER 221L STAINLESS STEEL**

Model Number: **RHTMF221X**



Model pictured: **RHTMF221X**

Exploded view



Parts List

Item	Description	Part Number	Quantity on unit
1	Upper door hinge, Left	2208100721	1
2	Door hinge screw hole cover	2208100413	1
3	Upper door hinge	2301400035	1
4	Upper door hinge, right	2208100722	1
5	Ice cube tray	20122990103	1
6	Middle door hinge	2301400036	1
7	Egg tray	2208300072	1
8.1	Fin evaporator	2400300014	1
8.2	Temperature sensor assembly	3059900038	1
8.3	Defrost heater	2500700019	1
9	Door switch	2501100002	1
11	Water channel of drain heater	2305700047	1
14	Upper door	2100290791	1
14.1	Upper door gasket	2200200087	1
14.2	Right limit block, upper door	2208510008	1
14.3	Left limit block, upper door	2208510009	1
14.4	Inner door gasket	2200200089	1
18	Lower door	2100290792	1
18.1	Lower door gasket	2200200092	1
18.2	Right aid-closer, lower door	2208510071	1
18.3	Iron linner of lower aid-closer, right	2305400017	1
18.4	Left aid-closer, lower door	2208510072	1
18.5	Iron linner of lower aid-closer, left	2305400018	1
22	Door rack, bottom	2207501074	1
23	Door rack, lower	2207501157	1
24	Door rack, small	2207501438	2
26	Door rack, freeze	2207501075	2
27	Shelves of freezer chamber assembly	2106100184	1
28	Drawer of freeze zone	2207300396	1
29	Front cover of freeze door	2207400514	1
30	Shelf of refrigerator chamber assembly	2106100185	2
31	Cover of crisper drawer	2106120195	1
32	Crisper drawer	2207400513	1
33.1	Cover of motor	2208500039	1
33.2	Fan motor assembly of freeze wind tunnel part	3059900040	1
33.3	Front cover of freeze wind tunnel part	2208500156	1
33.4	Water fender	2305700046	1
33.5	Foam of freeze wind part	2701000176	1
33.6	Sealing foam	3080100090	1
33.7	Adjust catch of freeze wind tunnel part	2208100394	1
33.8	Knob of freeze wind tunnel part	2208100324	1

Parts List

Item	Description	Part Number	Quantity on unit
34.1	Upper foaming parts of refrigerate wind tunnel part	2701000177	1
34.2	Water rack	2208500094	1
34.3	Front cover of refrigerator wind tunnel part	2208100408	1
34.4	Potentiometer	3050300057	1
34.5	Knob of refrigerate wind tunnel part	2208100324	1
34.6	Cover of refrigerate wind knob	2207100141	1
34.7	Foaming parts B of refrigerate wind tunnel part	2701000180	1
34.8	Foaming parts A of refrigerate wind tunnel part	2701000178	1
34.9	Adhesive tape of refrigerator wind foaming parts	2800100040	1
34.10	Connecting wire of refrigerator	3050200252	1
55	Compressor support base	2107100003	1
56	Power supply cord plug	3050100125	1
58	Drain pan	2207700058	1
60	Drain pipe	2207700024	1
61	Evaporative condenser	2402400013	1
64	Compressor	2400100169	1
67	Process tube	3040600005	1
68	Connecting tube	20114070006	1
69	Drier filter	3040500011	1
70	Long leg	20122990026	1
71	Long adjust leg	20122990019	1
72	Lower door hinge assembly, right	2301400034	1
73	LED Light	3050400018	1
74	Lamp cover	20122010104	1
75	Electric control board	2500300069	1
76	Installation cover of electric control board	2208100428	1

New Zealand

Monaco Corporation Ltd
 Telephone: (09) 415 6000
 Facsimile: (09) 415 7400
 Email: enquiries@robinhood.co.nz
 www.robinhood.co.nz

Australia

Shriro Australia Pty Ltd
 (ABN 28 002 386 129)
 Telephone: 1800 648 556
 Facsimile: 1800 628 577
 Email: enquiries@robinhood.com.au
 www.robinhood.com.au