

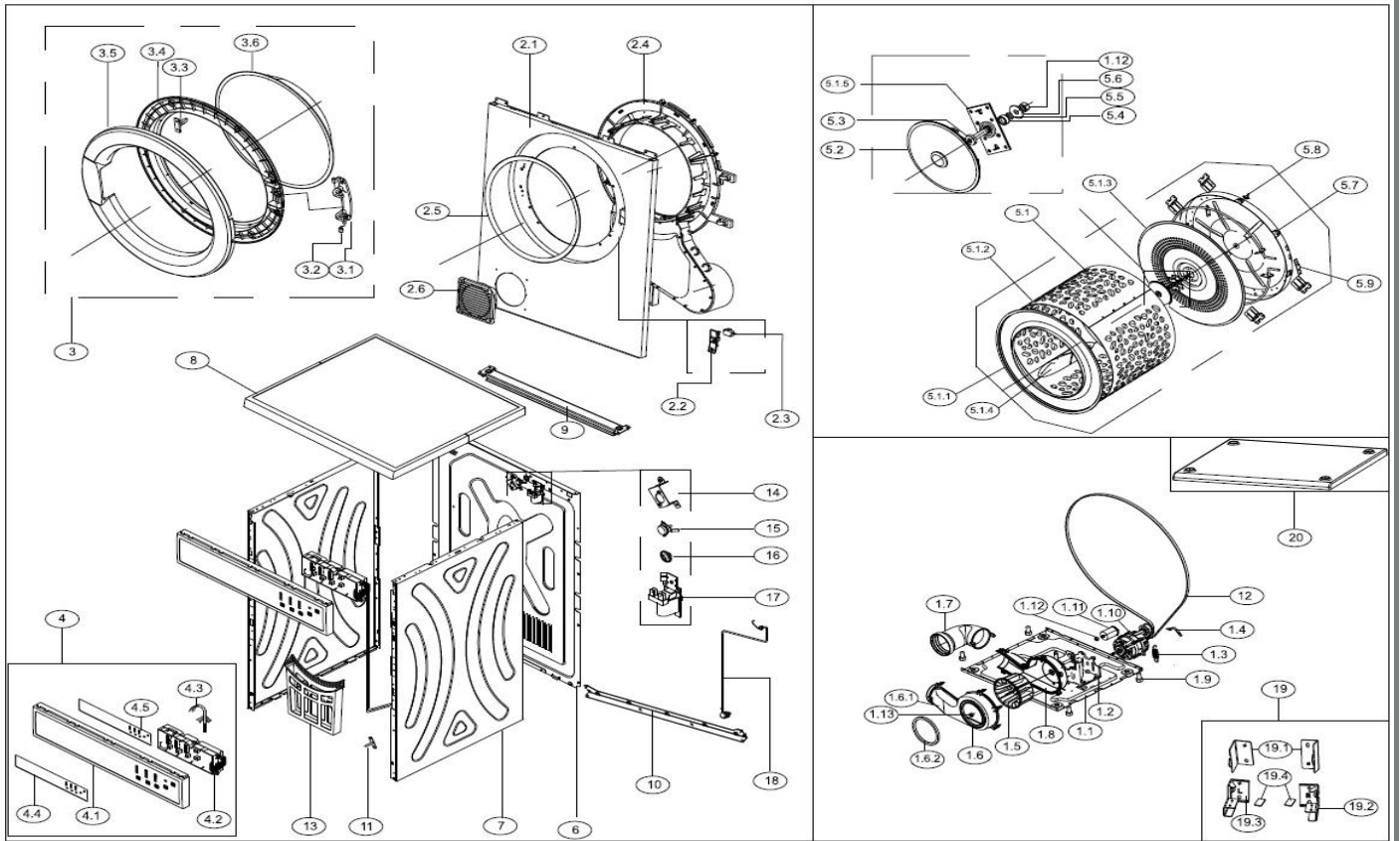
Description: **ROBINHOOD SENSOR DRYER 7KG WHITE**

Model Number: **RHSD7W**



Model pictured: **RHSD7W**

Exploded View



Parts List Continued

ITEM	PART NO.	DESCRIPTION	QTY in Product
1.10	11002012002211	SINGLE PHASE ASYNCHRONOUS MOTOR	1
1.10	12238200001141	CABINET MOTHERBOARD	1
1.11	17400101000246	CAPACITOR	1
1.62	12638200000010	SEALED GASKET	1
1.90	12138200000235	ADJUSTABLE FOOT ASSEMBLY	4
2.50	12638200000004	GASKET	1
3.00	12138200A07824	DOOR SUBASSEMBLY	1
3.10	12938200000031	DOOR HINGE	1
3.20	12138200000459	DOOR HINGE PIN COVER	2
3.30	12138200000114	DOOR PIN	1
4.10	12138200001603	CONTROL PANEL	1
4.20	17138200003302	PCB	1
4.30	17438200000156	INTERNAL WIRE ASSEMBLY	1
4.40	16038200A13574	CONTROL PANEL STICKER	1
5.10	12238200000208	BASKET ASSEMBLY	1
5.10	17438200000065	HEATER	1
5.80	17400513000455	THERMOSTATE	1
11.00	17438200000405	TEMPERATURE SENSOR	1
12.00	12638200000025	BELT	1
13.00	12138200001761	LINT FILTER ASSEMBLY	1
15.00	17400513000456	THERMOSTATE	1
16.00	12100404000101	RESET BUTTON	1
17.00	17438200000408	ELECTRIC FILTER ASSEMBLY	1
18.00	17438100000934	POWER CORD	1
19.00	16338200000241	ACCESSORY ASSEMBLY	1

New Zealand

Monaco Corporation Ltd
 Telephone: (09) 415 6000
 Facsimile: (09) 415 7400
 Email: enquiries@robinhood.co.nz
 www.robinhood.co.nz

Australia

Shiro Australia Pty Ltd
 (ABN 28 002 386 129)
 Telephone: 1800 648 556
 Facsimile: 1800 628 577
 Email: enquiries@robinhood.com.au
 www.robinhood.com.au

