

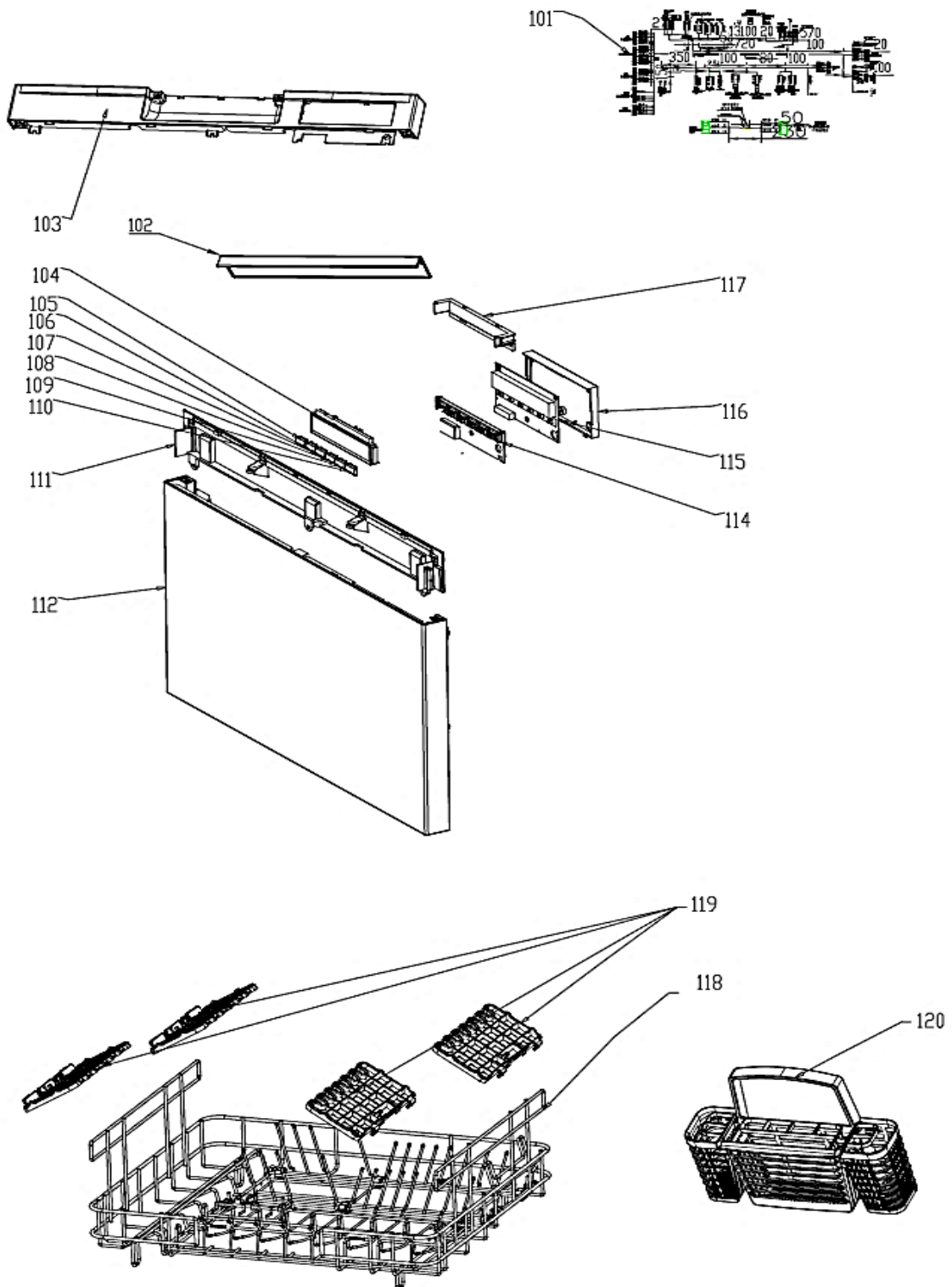
Description: **ROBINHOOD SINGLE DRAWER DISHWASHER 60CM STAINLESS STEEL**

Model Number: **RHSD60X**



Model pictured: **RHSD60X**

Exploded View



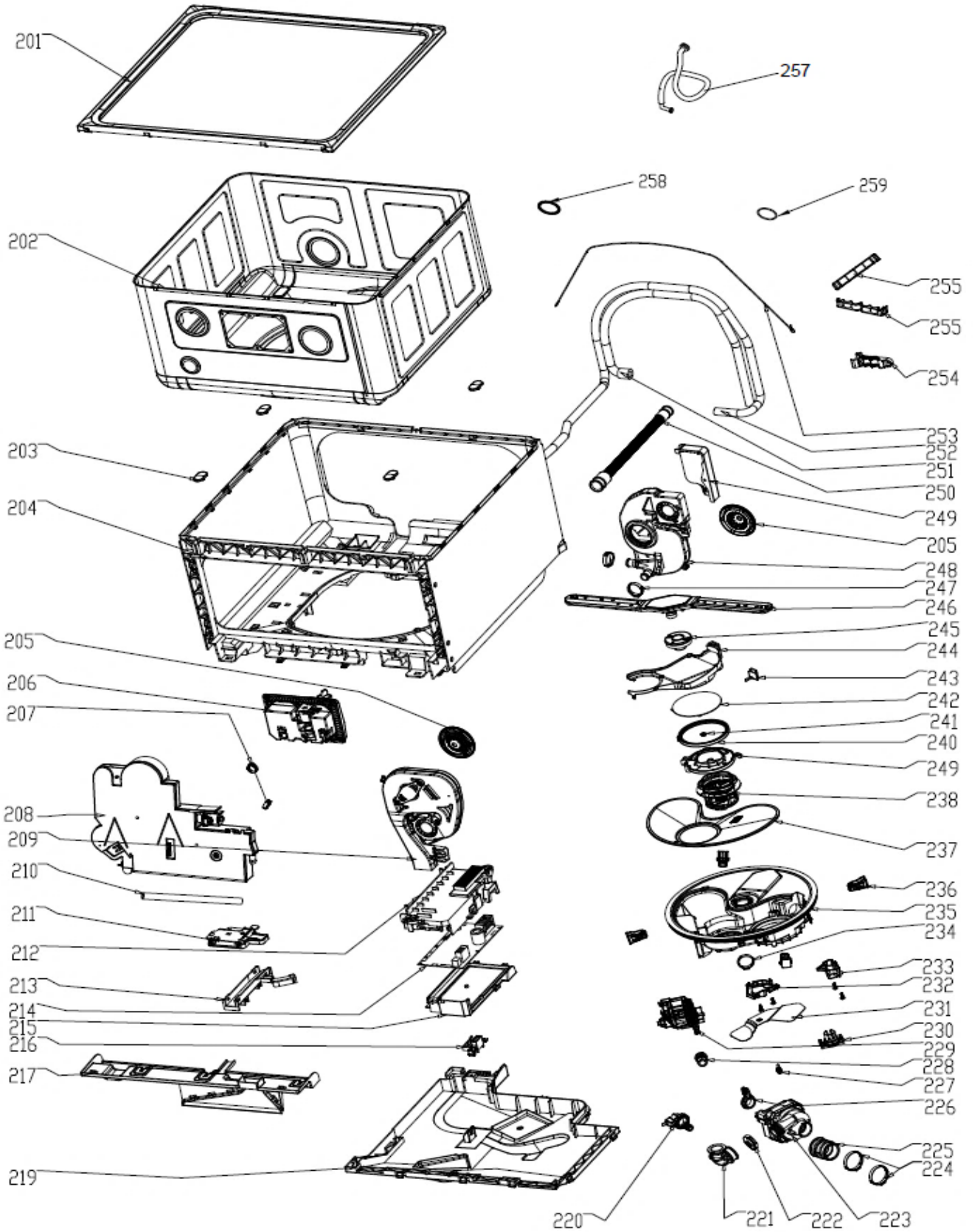
Model & Parts may vary slightly from images pictured

Parts List

Item	Part Number	Description	Qty in Unit
101	17476000009906	MAIN WIRE HARNESS	1
102	12276000015230	CONTROL PANEL PATCH	1
103	12176000026170	CONTROL PANEL	1
104	12176000026177	DISPLAY WINDOW	1
105	12176000026176	BUTTON	1
106	12176000028070	BUTTON	1
107	12176000026175	BUTTON	1
108	12176000026182	BUTTON	1
109	12176000026179	BUTTON	1
110	12176000026183	BUTTON	1
111	12176000026178	CONNECTOR	1
112	12276000A27748	OUTER DOOR	1
114	12676000005383	SEALING GASKET	1
114	12676000005383	SEALING GASKET	1
115	17176000027909	DISPLAY PANEL	1
116	12176000026169	PCB HOLDER	1
117	12176000026172	HANDLECOVER	1
118	12976000006072	BASKET	1
120	12176000026132	CUTLERYBASKET	1

Some parts are not available outside of production

Exploded View



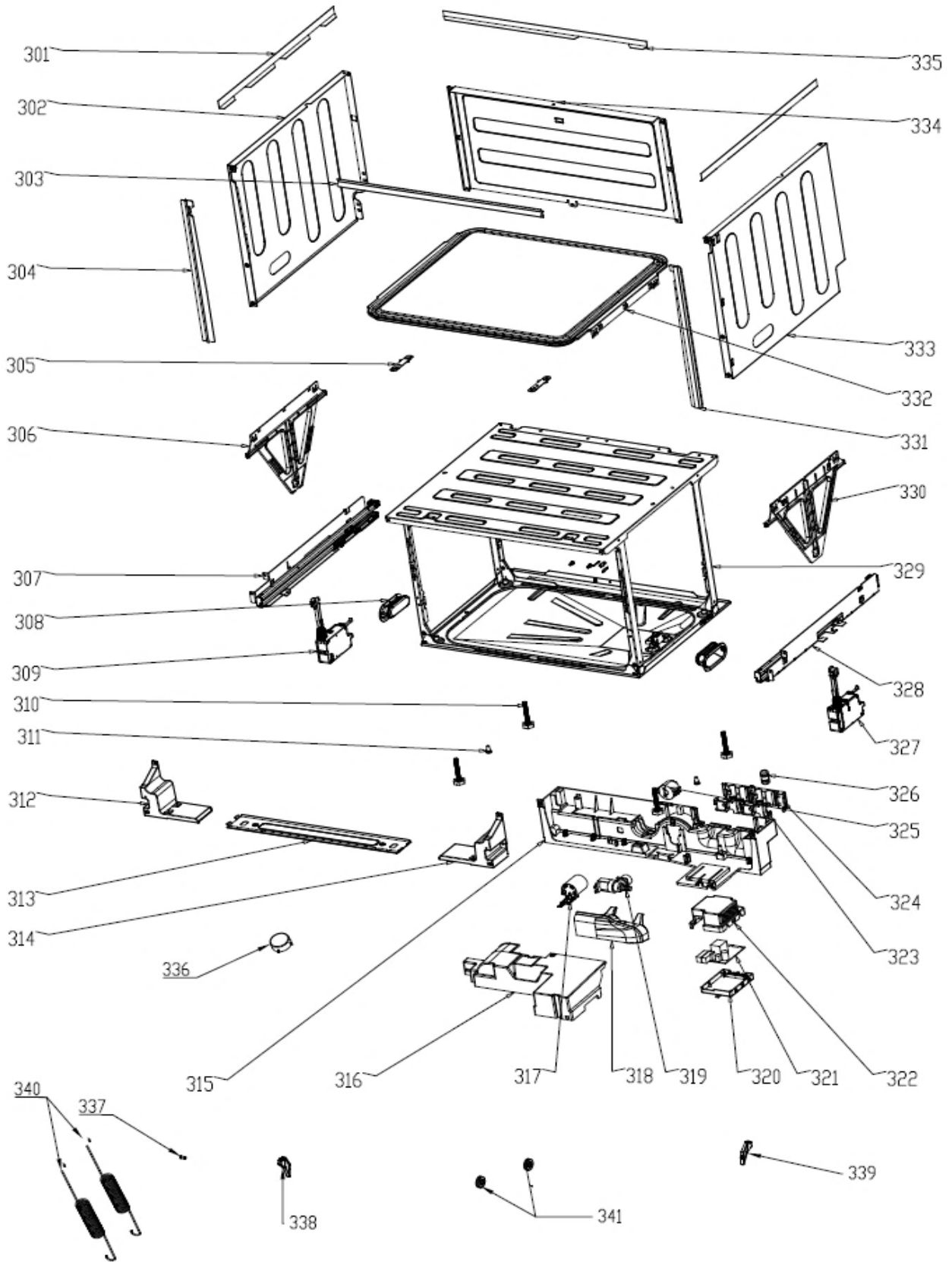
Model & Parts may vary slightly from images pictured

Parts List

Item	Part Number	Description	Qty in Unit
201	12176000026240	COVER	1
202	12276000015312	TANK ASSEMBLY	1
203	12676000004842	PAD	4
204	12176000026297	OUT DOOR	1
205	12176000026188	NUT	3
206	17476000008703	DISPENSER	1
207	12976000004605	CLAMP	3
208	17476000009063	AIRBREATHER	1
209	12176000026089	VENT FAN	1
210	12676000004789	OUTLET PIPE	1
211	17476000009062	DOOR SWITCH	1
212	12176000026181	PCB BOX	1
213	12176000026173	WATERPROOF SHEET	1
214	17176000025061	MAIN CONTROL PANEL	1
215	12176000026180	PCB BOX COVER	1
216	12176000026185	SUPPORTOR	1
217	12176000026098	FAN OUTLET	1
219	12176000026184	COVER PLATE	1
220	17476000001141	PRESSURE SWITCH	1
221	12676000004782	OUTLET PIPE	1
222	12976000004609	CLAMP	1
223	11001012000151	BRUSHLESS DC PUMP	1
224	12976000004604	CLAMP	2
225	12676000004784	INLET PIPE	1
226	12676000004783	WASHPUMPHOLDER	1
227	17176000012008	TEMPERATURE SENSOR	1
228	12676000000993	CHECK VALVE SEAT ASSEMBLY	1
229	11001011A00221	PUMP SYNCHRONOUS PERMANENT MAGNET	1
230	17176000014521	TURBIDITY SENSOR	1
231	12276000015254	FIREPROOF SHEET	1
232	12176000026221	BLOCK	1
233	12176000026220	BLOCK	1
234	12976000004608	CLAMP	1
235	12176000026218	WATER CUP ASSEMBLY	1
236	12176000026214	BLOCK	4
237	12276000015255	PLANE FILTER	1
238	12176000026190	FILTER	1
239	12176000026219	HEATING PLATE COVER	1
240	12676000004762	SEAL RING	1
241	11301514000004	NUT	1
242	17476000008724	HEATINGELEMENTS	1
244	12176000026222	HEATING PLATE COVER	1
245	12176000026217	CONNECTOR	1
246	12176000026249	SPRAY ARM ASSEMBLY	1
247	12976000000305	HOOP	3
248	12176000026236	FAN ASSEMBLY	1
249	12176000026215	WATERPROOF COVER	1
250	12676000004790	DRAIN HOSE	1
251	12676000004788	DRAIN HOSE ASSEMBLY	1
252	12676000004764	INLET PIPE	1
253	12976000005851	OTER METAL PARTS	1
254	12176000026191	PRESS BLOCK	1
255	12176000026148	BLOCK	2
256	12476000000601	SPONGE	2
257	12176000024909	INLET PIPE ASSEMBLY	1
258	12676000000713	WASHERS	2
259	12676000004422	O TYPE SEALING RING	1

Some parts are not available outside of production

Exploded View



Model & Parts may vary slightly from images pictured

Parts List

Item	Part Number	Description	Qty in Unit
301	12176000027150	WATERPROOF SHEET	2
302	12276000015930	LEFT SIDE PANEL	1
303	12676000004845	SEAL	1
304	12676000005188	SEAL	1
305	12276000015175	TOP MOUNTING HOOK	4
306	12176000027694	CONNECTOR	1
307	12276000015292	RAIL ASSEMBLY	1
308	12176000027170	HANDLE	2
309	17476000009762	DOOR LOCK ACTUATOR	1
310	12176000026100	ADJUST FOOT	4
311	12676000005182	RUBBER STOPPER	2
312	12176000027172	ANGLE SUPPORT	1
313	12276000015931	CONNECTING BOARD	1
314	12176000027171	ANGLE SUPPORT	1
315	12176000026295	LOWER REAR CROSS PIECE	1
316	12176000026090	WATERPROOF COVER	1
317	11203602000295	FILTER	1
318	12176000026114	BLOCK	1
319	17476000009503	INLET VALVE	1
320	12176000026093	PCB BOX	1
321	17176000025372	POWER PANEL	1
322	12176000026095	PCB BOX	1
323	12176000026091	BLOCK	2
324	12176000026092	BLOCK	1
325	17476000007545	POWER CORD	1
326	12676000005222	RUBBER STOPPER	1
327	17476000009763	DOOR LOCK ACTUATOR	1
328	12276000015291	RAIL ASSEMBLY	1
329	12276000015929	BRACKET ASSEMBLY	1
330	12176000027696	CONNECTOR	1
331	12676000005187	SEAL	1
332	12676000004846	SEALING GASKET	1
333	12276000015933	RIGHT SIDE PLATE	1
334	12276000015932	BACK BOARD	1
335	12176000027149	WATERPROOF SHEET	1
336	12176000003554	INLET VALVE CAP	1
337	12976000006431	ROLLER PIN	8
338	12176000027698	ROLLER SUPPORT	2
339	12176000027697	ROLLER SUPPORT	2
340	12976000006451	EXTENSION SPRING FOR DOOR LOCK	2
341	12176000027695	ROLLER	8

Some parts are not available outside of production

New Zealand

Monaco Corporation Ltd
 Telephone: (09) 415 6000
 Facsimile: (09) 415 7400
 Email: enquiries@robinhood.co.nz
www.robinhood.co.nz

Australia

Shriro Australia Pty Ltd
 (ABN 28 002 386 129)
 Telephone: 1800 648 556
 Facsimile: 1800 628 577
 Email: enquiries@robinhood.com.au
www.robinhood.com.au

