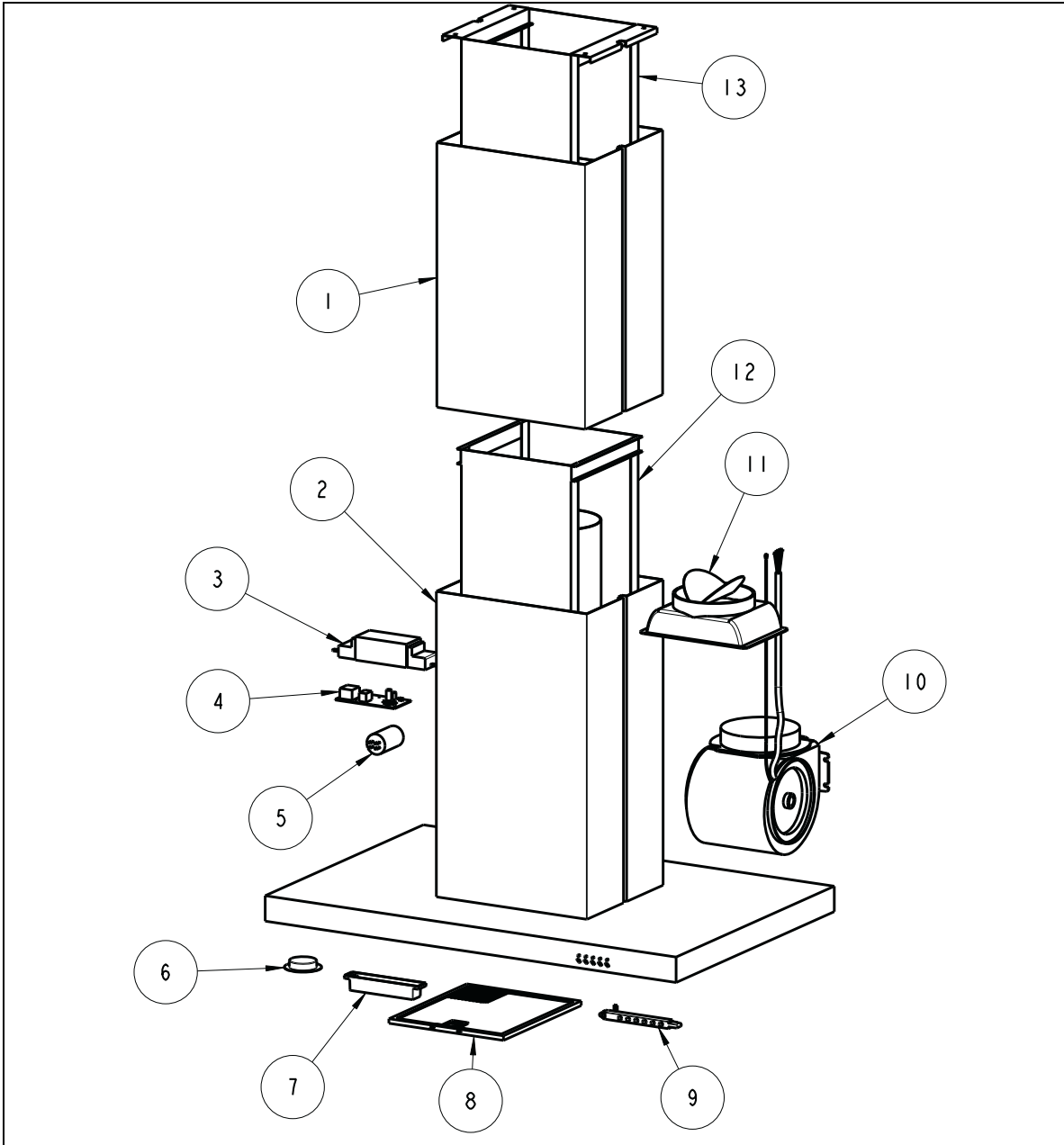




CANOPY RANGE HOOD

INSIGNE - Island  
**RH119SS**

# RHII9SS Insigne - Island



Insigne Island – RHII9SS				NS = Not Shown	
1	Upper Chimney	114483	9	Switch	114316
2	Lower Chimney	114482	10	Motor	114320
3	Transformer *	114435WH	11	Duct Adaptor	114325
		114435BL	12	Lower Ceiling Support	114436
4	Printed Circuit Board	114317	13	Upper Ceiling Support	114437
5	Capacitor	114327			
6	Lamp Assembly (10W)	114323	NS	Chimney Extension Kit	2197
7	Oil Capture Cup	114321	NS	Installation Kit	114481
8	Aluminium Filter	114484	NS	Bulb only (10W)	114313

\* Small white electronic transformer fits on top of motor housing adjacent to motor outlet  
 Large black electrical transformer fits inside canopy below the motor.

# RH119SS Insigne - Island

## Wiring Diagram

