

Description: **ROBINHOOD FREESTANDING 90CM GAS COOKTOP AND 9 FUNCTION OVEN**

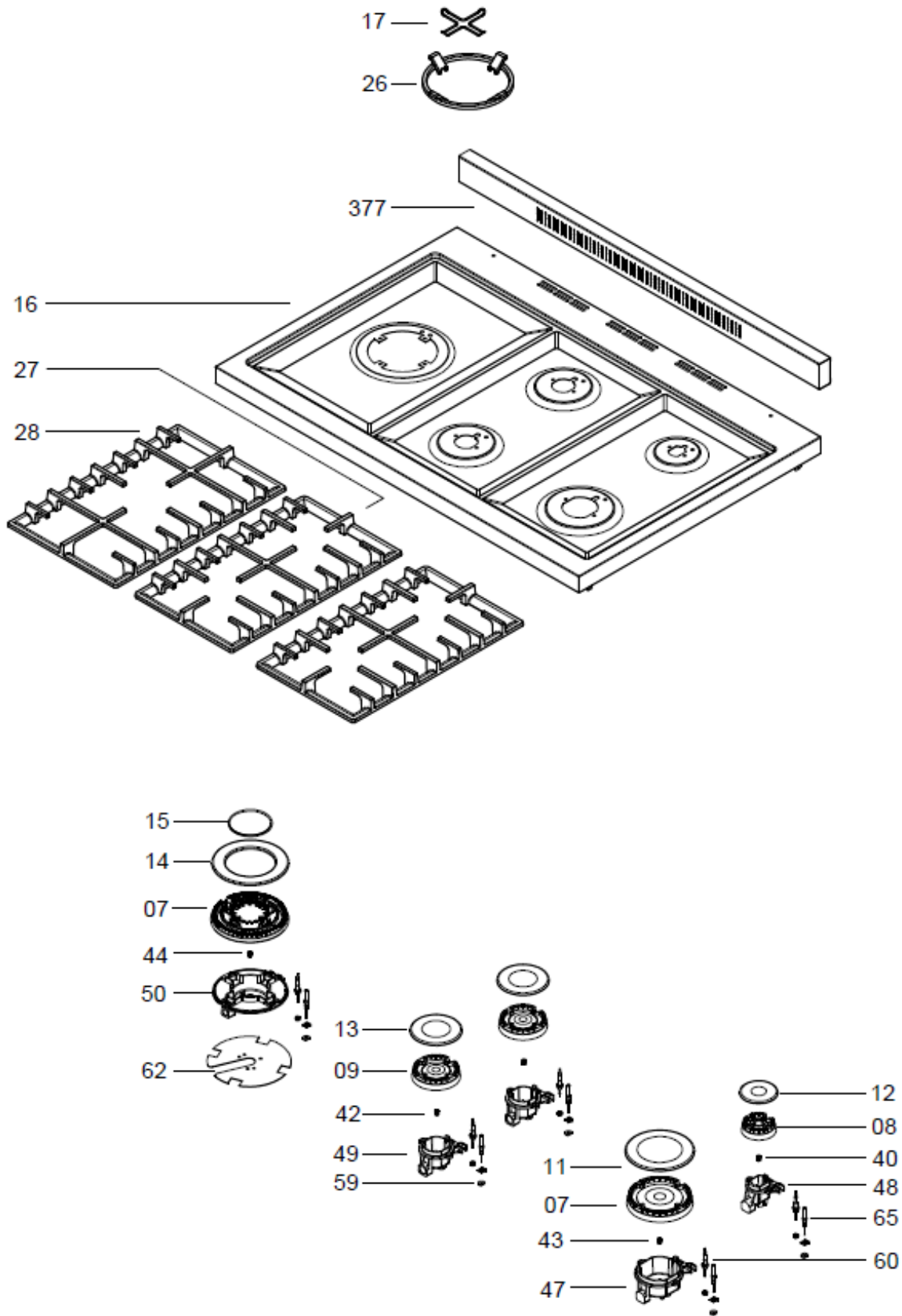
Model Number: **RHFS909GX**



Model pictured: **RHFS909GX**

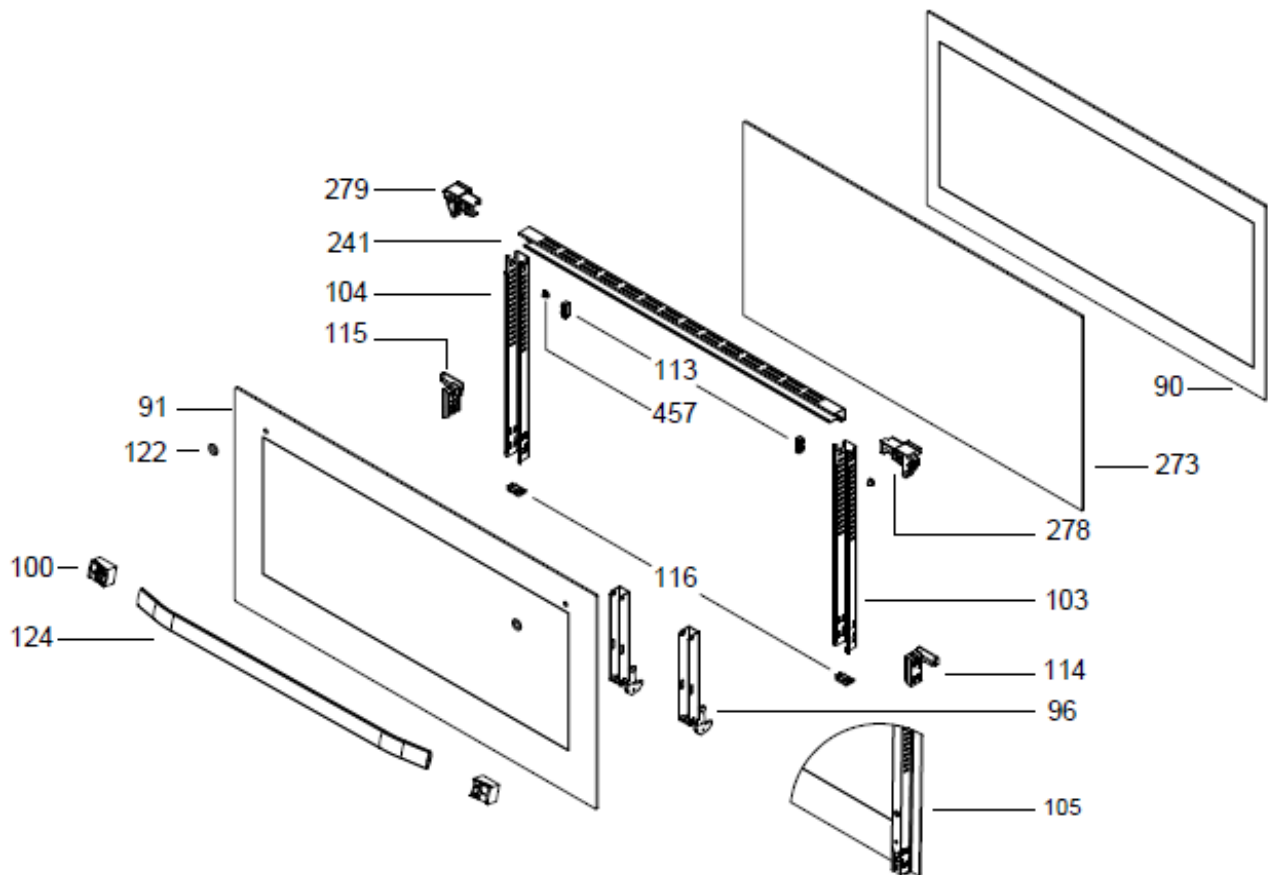
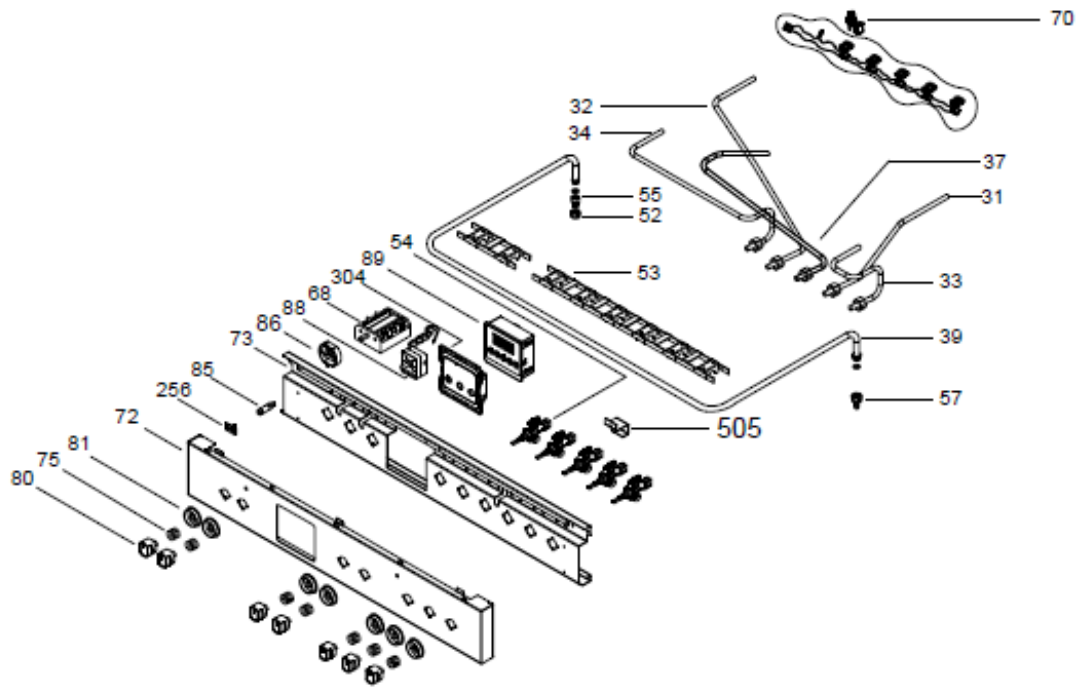
*Model & Parts may vary slightly from images*

# Exploded view

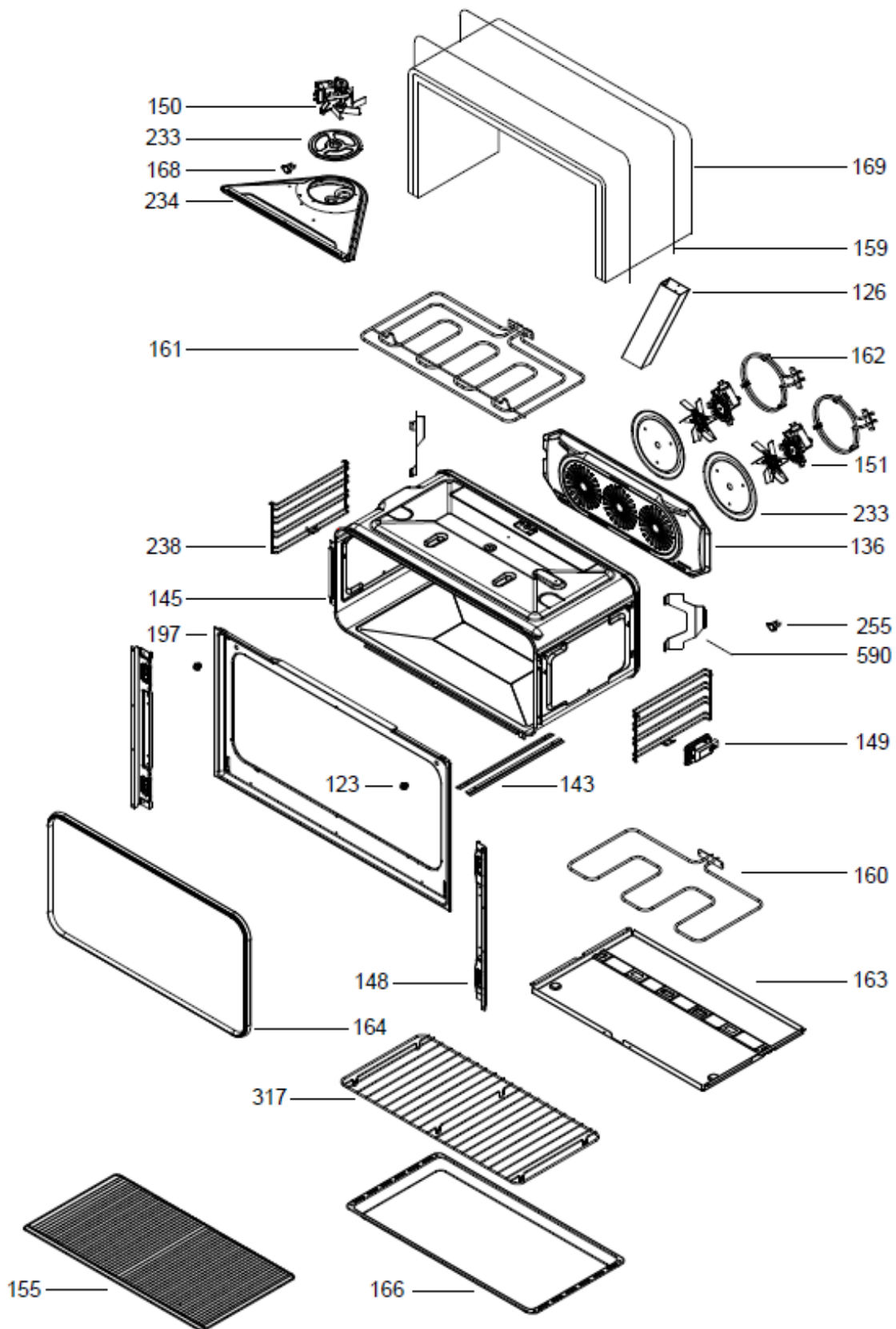


*Model & Parts may vary slightly from images pictured*

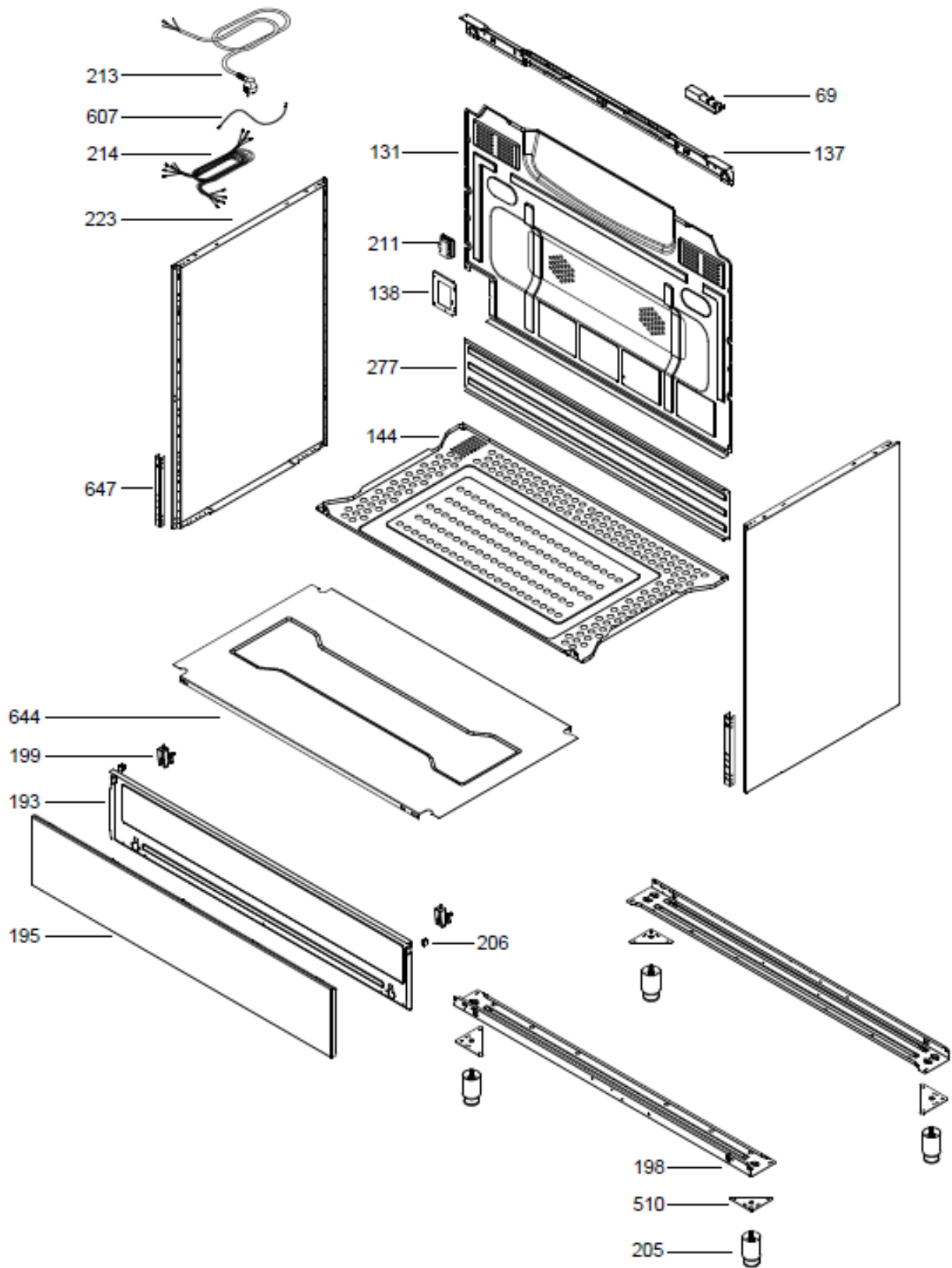
# Exploded view



# Exploded view



# Exploded view



## Parts List

Item	Description	Part Number
7	BURNER BIG (SABAF)	H4040100001
7	BURNER BIG TRIPLE ( SABAF 3,6kW)	H4040100004
8	BURNER SMALL (SABAF)	H4040100003
9	BURNER MIDDLE (SABAF)	H4040100002
11	BURNER LID BIG (SABAF) 4mm - MAT ENAMELLED	H4040140012
12	BURNER LID SMALL (SABAF) 4mm - MAT ENAMELLED	H4040140014
13	BURNER LID MIDDLE (SABAF) 4mm - MAT ENAMELLED	H4040140013
14	BURNER LID TRIPLE OUTER (SABAF 3,6kW) 4mm - MAT ENAMELLED	H4040140017
15	BURNER LID TRIPLE INNER (SABAF 3,6kW) 4mm - DULL	H4040140018
16	TOP PANEL 5G	YFP9011IM010015
17	WIRE COFFEPOT FOR WIDE AND PICK GRID	H2570140014
26	COOKER GRID CAST IRON WOK ADAPTOR	H2520320001
27	COOKER GRID CAST IRON PRO. RIGHT-LEFT	H2520160002
28	COOKER GRID CAST IRON 90X60 PRO. MIDDLE	H2520160003
31	PIPE ALM. Ø8X480 mm RIGHT REAR 90X60	YFT904600042003
32	PIPE ALM. Ø8X580 mm LEFT REAR 90X60	YFT904600042001
33	PIPE ALM. Ø8X480 mm RIGHT FRONT 90X60	YFT904600042004
34	PIPE ALM. Ø8X480 mm LEFT FRONT 90X60	YFT904600042002
37	PIPE ALM. Ø8X480 mm MIDDLE 90X60	YFT904600042005
39	MAINGAS PIPE U TYPE	YFT90-4000-053-004
40	INJECTOR TYPE-5 Ø0,50 LPG G30-30/37/G31-37mBAR	H40-25-140-002
42	INJECTOR TYPE-5 Ø0,70 LPG G30-30/37/50/G31-37mBAR	H40-25-140-007
43	INJECTOR TYPE-5 Ø0,90 LPG G30-30mBAR (BIG WOK)	H40-25-140-025
43	INJECTOR TYPE-5 ØØ0,92 NG G20-25mBAR	h40-25-140-031
47	BURNER HOUSING BIG (SABAF) (1,55 G20-10 mBar-NG)	H40-40-120-058
48	BURNER HOUSING SMALL (SABAF) (0,90 G20-10 mBar-NG)	H40-40-120-060
49	BURNER HOUSING MIDDLE (SABAF) (1,18 G20-10 mBar-NG)	H40-40-120-059
50	BURNER HOUSING TRIBLE (1,60 TİP-5)-G20-13 MBAR	H40-40-120-045
52	TAP 1/2	YORTK-4000-052-007
53	GAS VALVE FIXING PROFILE(5 VALVE)-90X60	YFT90-4000-010-003
54	GAS VALVE FOR OVEN (TOP OUTPUT) 45 WITH THERMOCOUPLE - TOP O	H40-10-120-016
54	GAS VALVE FOR OVEN (TOP OUTPUT) 60 WITH THERMOCOUPLE - TOP O	H40-10-120-017
54	GAS VALVE FOR OVEN (TOP OUTPUT) 70 WITH THERMOCOUPLE - TOP O	H40-10-120-018
54	GAS VALVE FOR OVEN (TOP OUTPUT) 90 WITH THERMOCOUPLE - TOP O	H40-10-120-020
55	NIPEL 1/2` MAIN GAS TYPE	H40-30-140-001
59	SILICON GASKET FOR SPARKING PLUG	H70-15-110-005
60	THERMOCOUPLE (KOAKSİYEL) 350 mm	H40-15-100-011
60	THERMOCOUPLE (KOAKSİYEL) 520 mm	H40-15-100-012
60	THERMOCOUPLE (KOAKSİYEL) 600 mm	H40-15-100-013
60	THERMOCOUPLE (KOAKSİYEL) 700 mm	H40-15-100-014
65	SPARKING PLUG 350 MM (EURO)	H35-20-140-002
65	SPARKING PLUG 500 MM (EURO)	H35-20-140-003
65	SPARKING PLUG 750 MM (EURO)	H35-20-140-004
65	SPARKING PLUG 500 MM TRIPLE BEK (NATIVE)	H35-20-140-005



## Parts List

Item	Description	Part Number
68	ROTARY SWITCH 0+9 STEP (EGO)4 GRUP KONTAKLI	H35-30-200-040
69	IGNITION BODY 6 STEP	H35-20-100-002
70	IGNITION SWITCH	H35-20-120-077
72	COMMAND PANEL	YFP90-16IM-004-024
73	COMMAND PANEL INNER SHEET	YFT90-4000-010-076
78	PLASTIC BUTTON DIGITAL TIMER INOX CAP	H20-20-100-011
85	LED LAMP WITH CABLE BUILT-IN GAS OVEN (50X50 CM	H35-30-100-008
86	PLASTIC LEVEL ADJUST (CIRCLE 9mm)-2014	H20-25-320-094
88	THERMOSTAT 50-250 C CAPILARY SHORT	H35-30-360-001
89	TIMER DIGITAL (TOUCH)	H35-30-380-055
90	INNER GLASS	H15-20-200-015
90	INNER GLASS	H15-20-200-018
91	FRONT GLASS	H15-15-230-021
96	HINGE FOR FRONT DOOR 90X60_93_THREE GLAS OVEN	H25-30-140-008
100	PLASTIC RELATING BLACK H4 MODEL HANDLE	H20-25-280-019
103	GLASS FRONT PRATIC DOOR RIGHT PROFILE BLACK-2014	YFT60-41SP-030-006
104	GLASS FRONT PRATIC DOOR TOP LEFT PROFILE BLACK-2014	YFT60-41SP-030-007
105	FRONT GLASS PREP.	YFT90-3100-041-100
113	PLASTIC COMMAND PANEL-2014	H20-25-320-083
114	INNER GLASS BOTTOM PLASTIC RIGHT	H20-25-320-126
115	INNER GLASS BOTTOM PLASTIC LEFT	H20-25-320-125
116	DOOR HINGE BOTTOM PLASTIC	H20-25-320-082
122	SILICONE SEAL STAMP FOR FRONT GLASS	H70-10-180-010
123	FRONT GLASS STOP-2014	H70-15-100-005
124	PIPEMP. GLASS 90X60"F4-740"	H25-60-180-042
126	CHIMNEY PROFILE	YFT60-4000-010-073
131	REAR COVER-90X60	YFT90-4000-010-007
136	FAN PROTECTION COVER	YFA90-41SP-020-029
138	KADO CONNECTION PROFILE SMALL-90X60/60X60-2014	YFT90-4000-010-012
143	FIXING PROFILE	YORTK-4000-010-042
144	BOTTOM BURNER COVER PLATE FOR GAS OVEN 90X60-2012	YFT90-4000-010-085
145	CAVITY GROUP	YFP90-26SE-020-016
148	CAVITY PROFILE-50X60/60X60-2014	YFT60-4000-010-030
150	COOLING FAN (BUILT-IN)	H35-30-340-020
151	TURBO FAN MOTOR (15 mm PACKAGE)	H35-30-340-003
155	INTERNAL GRILL STOPPER-2016	H25-10-200-007
159	WIRE FOR INSULATION MATERIAL	H25-45-100-002
160	HEATING ELEMENT 60X90 BOTTOM	H35-25-180-002
161	HEATING ELEMENT TOP+GRILL 1500+1750 60X90	H35-25-180-008
162	HEATING ELEMENT 60X90 TURBO 1250W (GREEN)	H35-25-180-003
163	FUTURA GRILL BURNER AIR ADJUSTER PROFILE	YFT90-4000-010-023
164	SILICONE GASKET	H70-10-150-010
166	OVEN TRAY ENAMEL PLATED-90X60	YFT90-4000-020-014
168	THERMOSTAT LIMITED 250 FOR BUILT-IN OVEN	H35-30-360-016

## Parts list

Item	Description	Part Number
169	INSULATION MATERIAL	H50-10-000-058
193	DISHWARMER DRAWER INNER SHEET	YFT90-4000-010-086
195	DISHWARMER DRAWER FLAPE INOX	YFP90-36IM-004-002
197	OVEN SIDE FRONT BLACK 90X60	YFT90-41SP-030-015
198	LEG PROFILE	YFT90-4000-010-087
199	HINGE FOR FLAP DOOR	H25-30-240-007
205	TELESCOBIC LEG 60X90	H25-70-180-001
206	SILICON	H70-15-100-007
211	CONNECTION BLOCK (SMALL KADO-SL 200)	H35-30-180-005
213	POWER CORD WITH PLUG 3X0.75 X1550 AUSTRALIAN TYPE (BLACK)	H35-10-160-010
214	CABLE GROUP 0+9	YFP90-5600-043-042
223	SIDE PANEL INOX 90X60	YFP90-21IM-010-005
233	FAN MOTOR JOINT SHEET 60CM BI 2016	YFA60-4000-010-045
233	FAN MOTOR CONNECTION PROFILE	YFT70-4000-010-014
234	FAN TABLE BOTTOM+TOP GROUP 60cm BI.2016	YFA60-4000-010-048
238	WIRE RACK	H25-45-100-050
241	FRONT GLASS LID TOP PROFILE BLACK 90X60-2014	YFT90-41SP-030-007
255	TERM. LMT. NO 55 16A BLUE 60cm BI.	H35-30-360-017
256	PLASTIC LET GLASS	H20-25-320-029
260	PLASTIC SEAL FOR PUSH BUTTON SWITCH	H20-25-320-193
278	INNER GLASS TOP PLASTIC RIGHT	H20-25-320-080
279	INNER GLASS TOP PLASTIC LEFT	H20-25-320-081
286	REGULATOR	H25-70-140-137
304	PLASTIC DIGITAL CLOCK CENTERING SMALL	H20-25-320-041
317	WIRE GRID FOR 90X60 (INSIDE TRAY)	H25-10-200-003
377	SPLASHBACK FRONT PROFILE INOX-SEMI PRO.-2014	YFP90-4000-004-036
393	LAMP SQUARE 15W	H35-30-280-026
505	SAC MAIN GAS CONNECTION ELECTRICAL OVEN 90X60 / PROF.-2015	YFT90-4000-004-053
510	LEG PROFILE TRIANGLE-90X60	YFT90-4000-010-001
588	FRONT PANEL STACKING SHEET-2016	YFA60-4100-010-031
589	WINDOW UPPER PROFILE INTERIOR GLASS HOLDER-2017	YFT90-4000-010-065
590	BOILER REAR CONNECTION SHEET 90X60-2018	YFT90-4000-010-082
607	EARTH CONNECTION CABLE FOR SPARKING PLUG	H35-20-180-001
644	BOTTOM HIDING COVER	YFT90-4000-010-060
647	SIDE PANEL SUPPORT SHEET	YFT90-4000-010-099

### New Zealand

Monaco Corporation Ltd  
 Telephone: (09) 415 6000  
 Facsimile: (09) 415 7400  
 Email: [enquiries@robinhood.co.nz](mailto:enquiries@robinhood.co.nz)  
[www.robinhood.co.nz](http://www.robinhood.co.nz)

### Australia

Shriro Australia Pty Ltd  
 (ABN 28 002 386 129)  
 Telephone: 1800 648 556  
 Facsimile: 1800 628 577  
 Email: [enquiries@robinhood.com.au](mailto:enquiries@robinhood.com.au)  
[www.robinhood.com.au](http://www.robinhood.com.au)