

Description: **ROBINHOOD FREESTANDING 60CM GAS COOKTOP AND 9 FUNCTION OVEN**

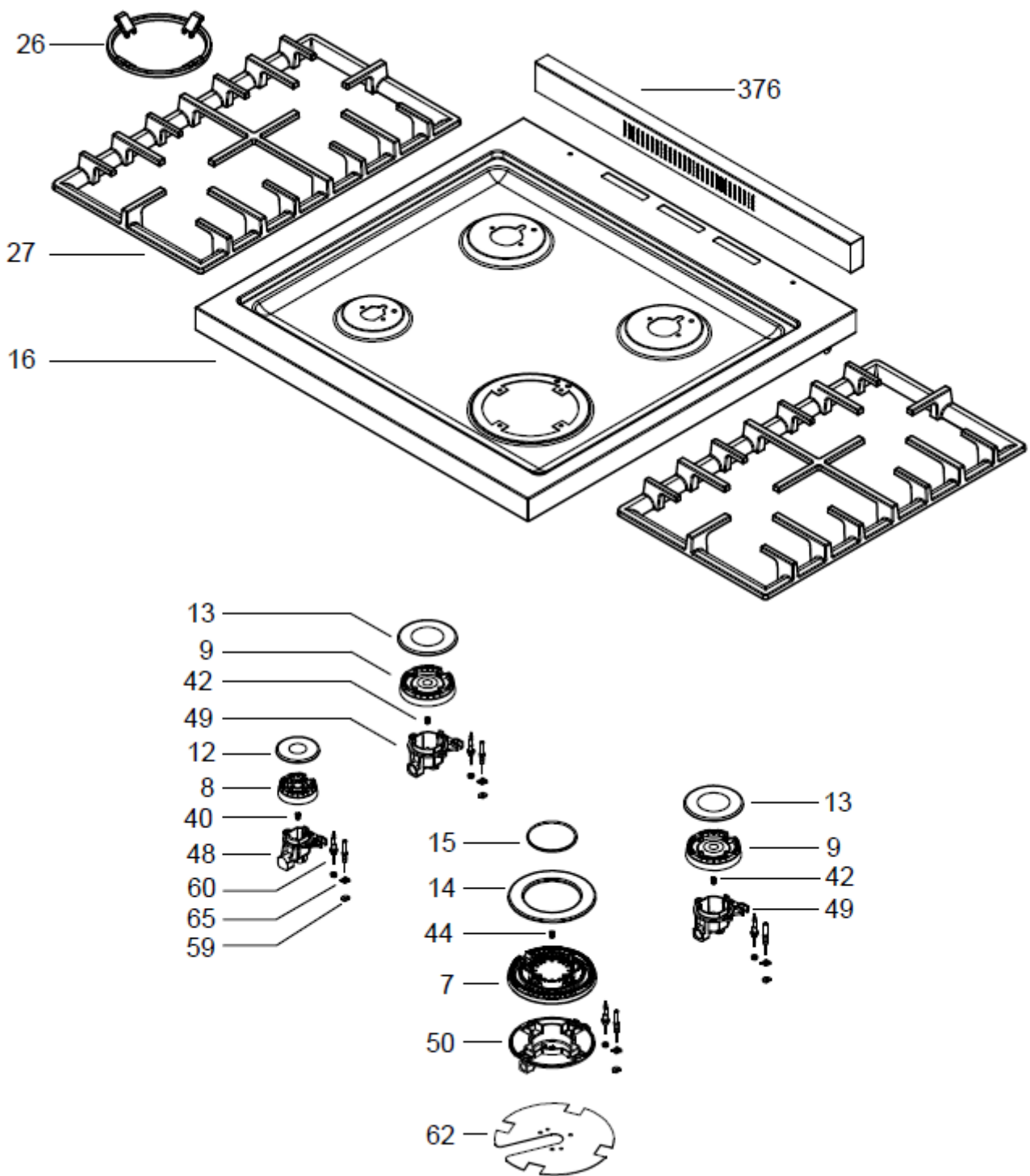
Model Number: **RHFS609GX**



Model pictured: **RHFS609GX**

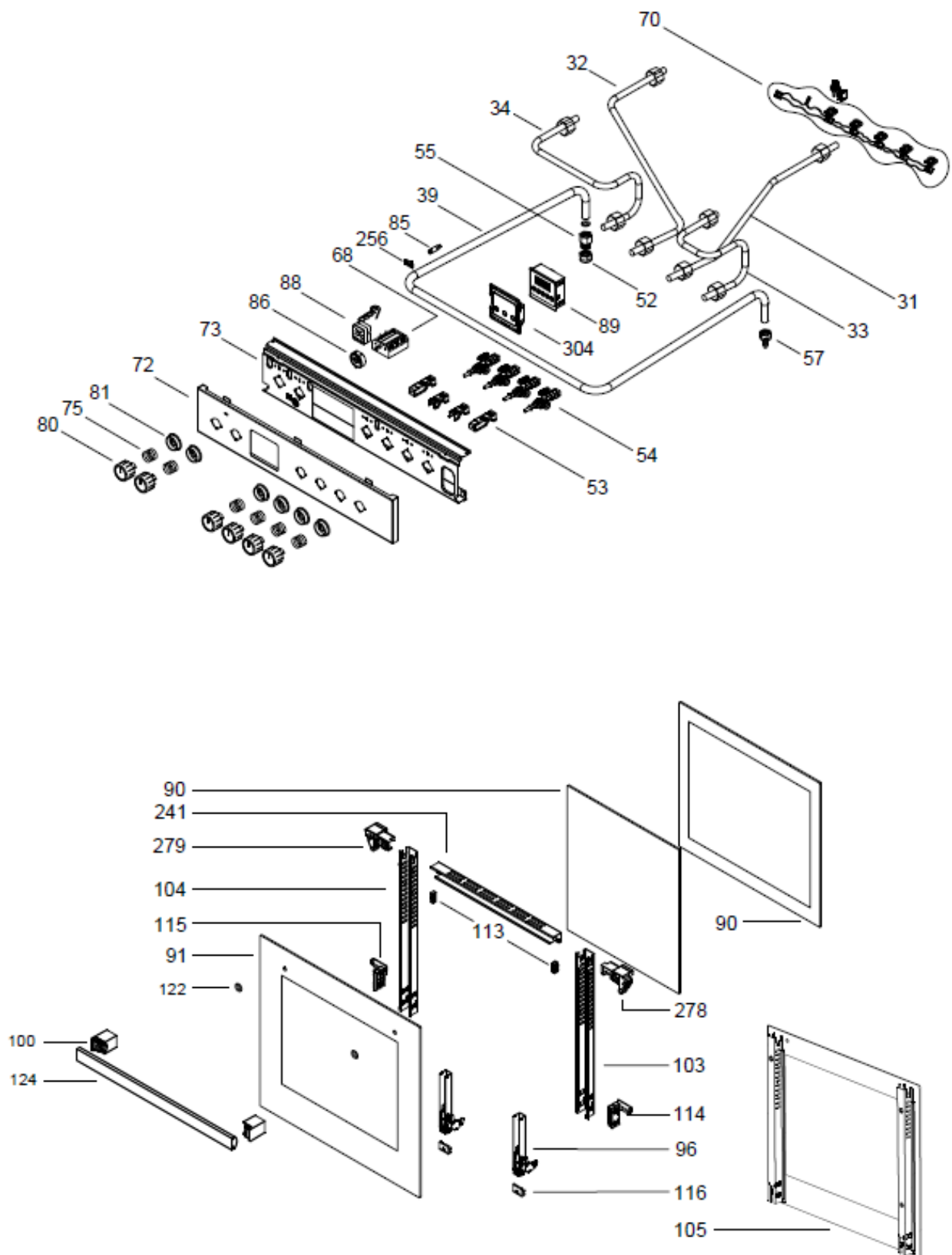
*Model & Parts may vary slightly from images*

# Exploded view

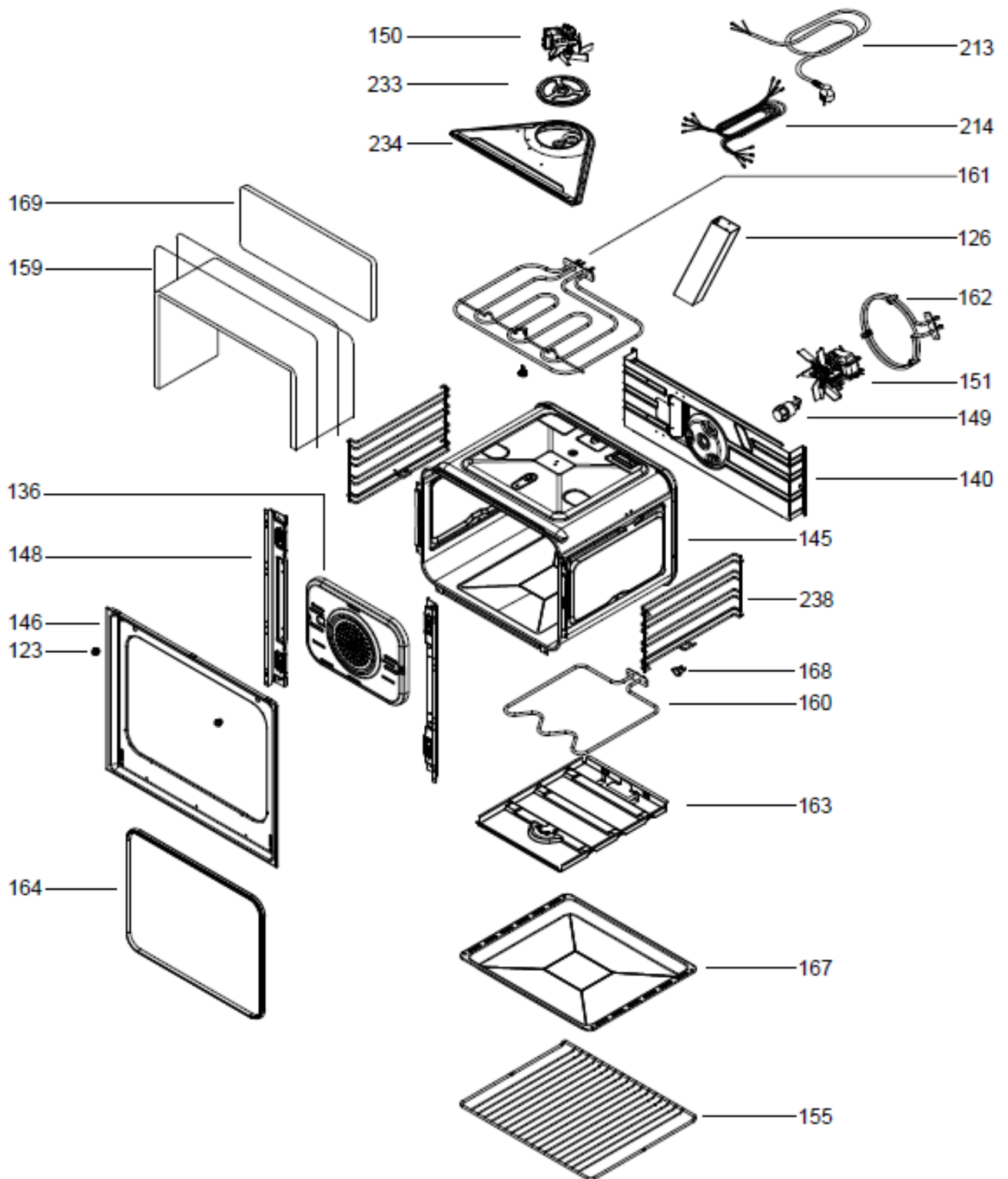


*Model & Parts may vary slightly from images pictured*

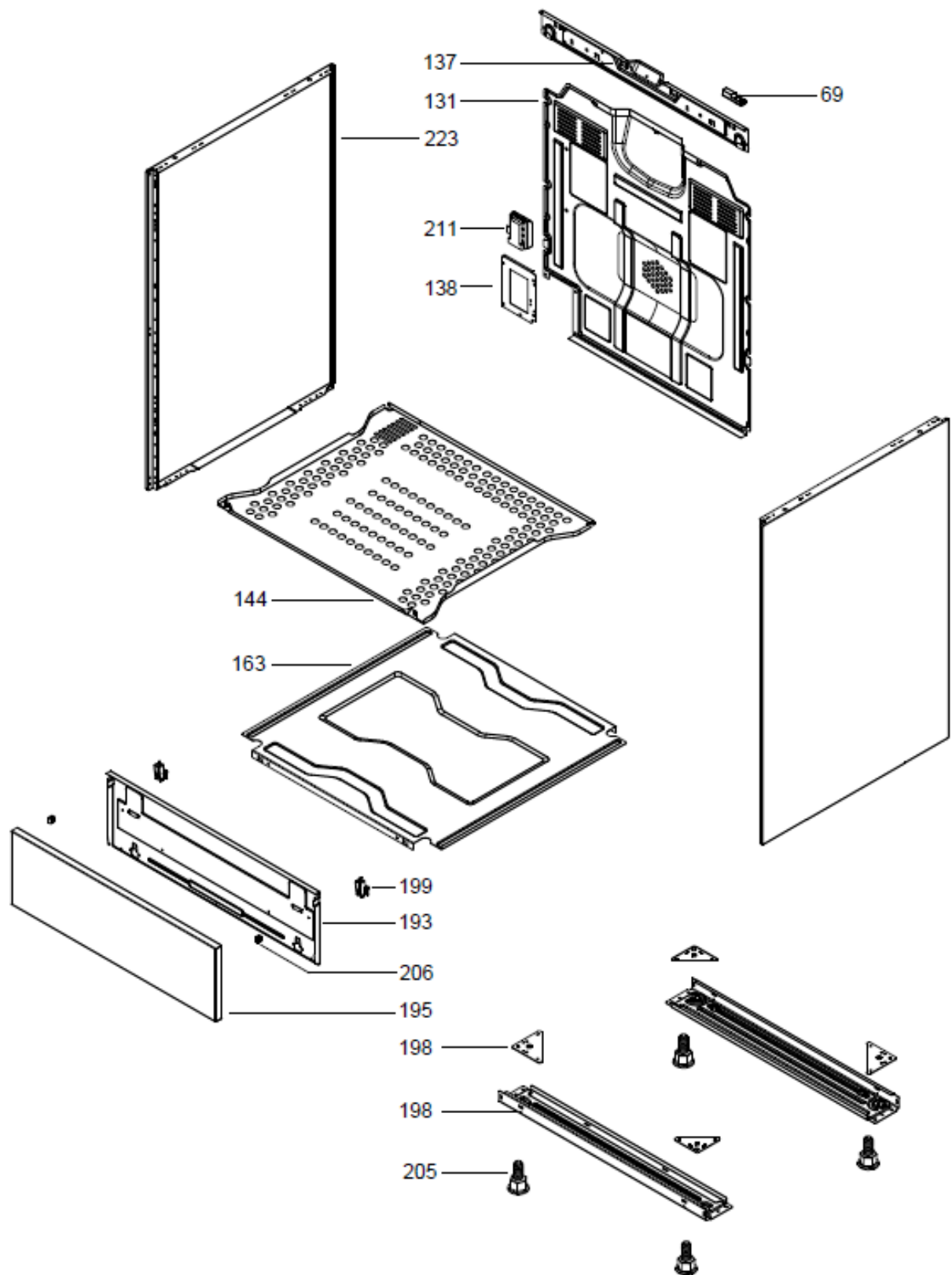
## Exploded view



# Exploded view



# Exploded view



## Parts List

Item	Description	Part Number
7	BURNER BIG TRIPLE ( SABAF 3,6kW)	H4040100004
8	BURNER SMALL (SABAF)	H4040100003
9	BURNER MIDDLE (SABAF)	H4040100002
12	BURNER LID SMALL (SABAF) 4mm - MAT ENAMELLED	H4040140014
13	BURNER LID MIDDLE (SABAF) 4mm - MAT ENAMELLED	H4040140013
14	BURNER LID TRIPLE OUTER (SABAF 3,6kW) 4mm - MAT ENAMELLED	H4040140017
15	BURNER LID TRIPLE INNER (SABAF 3,6kW) 4mm - DULL	H4040140018
16	TOP PANEL	YFP6011IM010001
26	COOKER GRID CAST IRON WOK ADAPTOR	H2520320001
27	COOKER GRID CAST IRON PRO. RIGHT-LEFT	H2520160002
31	PIPE ALM. Ø8X411 mm FFD/RIGHT REAR (29,5gr) 60X60	YFT604600042006
32	PIPE ALM. Ø8X477 mm FFD/LEFT REAR (33gr) 60X60	YFT604600042004
33	PIPE ALM. Ø8X464 mm FFD/RIGHT FRONT (33gr) 60X60	YFT604600042007
34	PIPE ALM. Ø8X510 mm FFD/LEFT FRONT (35gr) 60X60	YFT604600042005
39	PIPE MAINGAS 'U' 60X60	YFT604000053001
40	INJECTOR TYPE-5 Ø0,50 LPG G30-30/37/G31-37mBAR	H4025140002
42	INJECTOR TYPE-5 Ø0,70 LPG G30-30/37/50/G31-37mBAR	H4025140007
43	INJECTOR TYPE-5 ØØ0,92 NG G20-25mBAR	H4025140031
48	BURNER HOUSING SMALL (SABAF) (0,90 G20-10 mBar-NG)	H4040120060
49	BURNER HOUSING MIDDLE (SABAF) (1,18 G20-10 mBar-NG)	H4040120059
50	BURNER HOUSING TRIBLE (1,60 TİP-5)-G20-13 MBAR	H4040120045
52	TAP 1/2	YORTK4000052007
53	GAS VALVE FIXING PROFILE (LONG)-50X60-60X60-2014	YORTK4000010040
53	GAS VALVE FIXING PROFILE (SHORT)-50X60-60X60-2014	YORTK4000010041
54	GAS VALVE FOR OVEN (TOP OUTPUT) 45 WITH THERMOCOUPLE - TOP O	H4010120016
54	GAS VALVE FOR OVEN (TOP OUTPUT) 60 WITH THERMOCOUPLE - TOP O	H4010120017
54	GAS VALVE FOR OVEN (TOP OUTPUT) 90 WITH THERMOCOUPLE - TOP O	H4010120020
55	NIPEL 1/2`` MAIN GAS TYPE	H4030140001
57	HOSE ENTRY 1/2``	YORTK4000052002
59	SILICON GASKET FOR SPARKING PLUG	H7015110005
60	THERMOCOUPLE (KOAKSİYEL) 350 mm	H4015100011
60	THERMOCOUPLE (KOAKSİYEL) 520 mm	H4015100012
60	THERMOCOUPLE (KOAKSİYEL) 600 mm	H4015100013
65	SPARKING PLUG 350 MM (EURO)	H3520140002
65	SPARKING PLUG 500 MM (EURO)	H3520140003

**Note:** Some components are not available outside production

## Parts List

Item	Description	Part Number
65	SPARKING PLUG 500 MM TRIPLE BEK (NATIVE)	H3520140005
68	ROTARY SWITCH 0+9 STEP (EGO)4 GRUP KONTAKLI	H3530200040
69	IGNITION BODY 4 STEPS	H3520100001
70	IGNITION SWITCH	H3520120076
72	COMMAND PANEL	YFP6016IM004004
73	COMMAND PANEL INNER PROFILE-60X60-2014	YFT604000010040
78	PLASTIC BUTTON DIGITAL TIMER INOX CAP	H2020100011
80	BAKALIT BUTTON 90X60 SEMI PROFESSIONAL GRAY (ARC 715) PB2	H5510100010
85	LED LAMP WITH CABLE	H3530100001
86	PLASTIC LEVEL ADJUST (CIRCLE 9mm)-2014	H2025320094
88	THERMOSTAT 50-250 C CAPILARY SHORT	H3530360001
89	TIMER DIGITAL (TOUCH)	H3530380055
90	INNER GLASS FOR 60X60 2014	H1520140012
90	INNER GLASS LOW-E 60X60	H1520140022
91	FRONT GLASS	H1515170072
96	HINGE FOR FRONT DOOR 60X60 DOUBLE SPRING _63_ 2014	H2530120005
100	PLASTIC RELATING BLACK H4 MODEL HANDLE	H2025280019
103	GLASS FRONT PRATIC DOOR RIGHT PROFILE BLACK-2014	YFT6041SP030006
104	GLASS FRONT PRATIC DOOR TOP LEFT PROFILE BLACK-2014	YFT6041SP030007
105	FRONT GLASS PREP.60X60 T.BOY BLACK	YFT603100041001
113	PLASTIC COMMAND PANEL-2014	H2025320083
114	INNER GLASS BOTTOM PLASTIC RIGHT	H2025320126
115	INNER GLASS BOTTOM PLASTIC LEFT	H2025320125
116	DOOR HINGE BOTTOM PLASTIC	H2025320082
122	SILICONE SEAL STAMP FOR FRONT GLASS	H7010180010
123	FRONT GLASS STOP-2014	H7015100005
124	HANDLE SATİNE 0 BRONZ 60X60"H4-440"	H2560140033
126	CHIMNEY PROFILE	YFT604000010073
131	REAR COVER 60X60-2014	YFT604000010028
136	FAN PROTECTION ENAMLLED COVER-50X60/60X60-2014	YFT604200020010
137	BALANCE PROFILE	YFT604000010071
138	KADO CONNECTION PROFILE SMALL-90X60/60X60-2014	YFT904000010012
140	CAVITY PROFILE-60X60-2014	YFT604000010031
145	CAVITY GROUP ELECTRICAL (0+9) 60X60 OVEN-2014	YFT602600020101
146	CAVITY FRONT PROFILE ELECTRICAL 60X60 OVEN-2014	YFT6042SP030009
148	CAVITY PROFILE-50X60/60X60-2014	YFT604000010030

## Parts list

Item	Description	Part Number
149	OVEN LAMP WITH VDE	H3530280001
150	COOLING FAN (BUILT-IN)	H3530340020
151	TURBO FAN MOTOR (15 mm PACKAGE)	H3530340003
155	WIRE GRID FOR OVEN SECTION 60X60-2019	H2510160014
159	WIRE FOR INSULATION MATERIAL	H2545100002
160	HEATING ELEMENT 60X60 1200W-BOTTOM *N*	H3525160002
161	REZIST. TOP GRILL 60X60	H3525160001
162	HEATING ELEMENT 60X60 2200W *N*	H3525160004
163	BOTTOM HEATING ELEMENT COVER-50X60/60X60-2014	YFT604000010033
163	BASE PROFILE-60X60-2016	YFT604000010069
164	SILIKON CONTA 60X60 (O TIPI) - 2014	H7010130003
167	ENAMEL TRAY FOR 60X60/BUILT-IN OVEN (30MM)	YORTK0700020001
168	TERM. LMT. NC 120 16A 60X60	H3530360018
169	INSULATION MATERIAL	H5010000060
193	ISHWARMER DRAWER (FLAP-OPENING)-60X60-2016	YFT604000010070
195	DISHWARMER DRAWER	YFP6036IM004001
198	LEG PROFILE	YFP604000004003
198	LEG PROFILE TRIANGLE-90X60	YFT904000010001
199	HINGE FLAPE DISHWARMER 50X55/50X60/60X60-2016	H2530240005
205	TELESCOBIC LEG 60X90	H2570180001
206	SILICON	H7015100007
211	CONNECTION BLOCK (SMALL KADO-SL 200)	H3530180005
213	POWER CORD WITH PLUG 3X0.75 X1550 AUSTRALIAN TYPE (BLACK)	H3510160010
214	CABLE GROUP	YFP605600043001
223	SIDE PANEL INOX 90X60	YFP9021IM010005
233	FAN MOTOR JOINT SHEET 60CM BI 2016	YFA604000010045
234	FAN TABLE BOTTOM-TOP GROUP	YFA604000010059
238	WIRE RACK (COMMON) RIGHT-LEFT-2016	H2545100023
241	GLASS FRONT DOOR TOP PROFILE BLACK 60X60-2014	YFT6041SP030005
255	TERM. LMT. NO 55 16A BLUE 60cm BI.	H3530360017
256	PLASTIC NEON LAMP GLASS OVAL	H2025320023
260	PLASTIC SEAL FOR PUSH BUTTON SWITCH	H2025320193
278	INNER GLASS TOP PLASTIC RIGHT	H2025320080
279	INNER GLASS TOP PLASTIC LEFT	H2025320081
286	REGULATOR	H2570140137
304	PLASTIC DIGITAL CLOCK CENTERING SMALL	H2025320041
376	SPLASHBACK	YFP604000004001
535	FAN CONNECTION BRIDGE SHEET	YFT604000010084

### New Zealand

Monaco Corporation Ltd  
 Telephone: (09) 415 6000  
 Facsimile: (09) 415 7400  
 Email: [enquiries@robinhood.co.nz](mailto:enquiries@robinhood.co.nz)  
[www.robinhood.co.nz](http://www.robinhood.co.nz)

### Australia

Shriro Australia Pty Ltd  
 (ABN 28 002 386 129)  
 Telephone: 1800 648 556  
 Facsimile: 1800 628 577  
 Email: [enquiries@robinhood.com.au](mailto:enquiries@robinhood.com.au)  
[www.robinhood.com.au](http://www.robinhood.com.au)