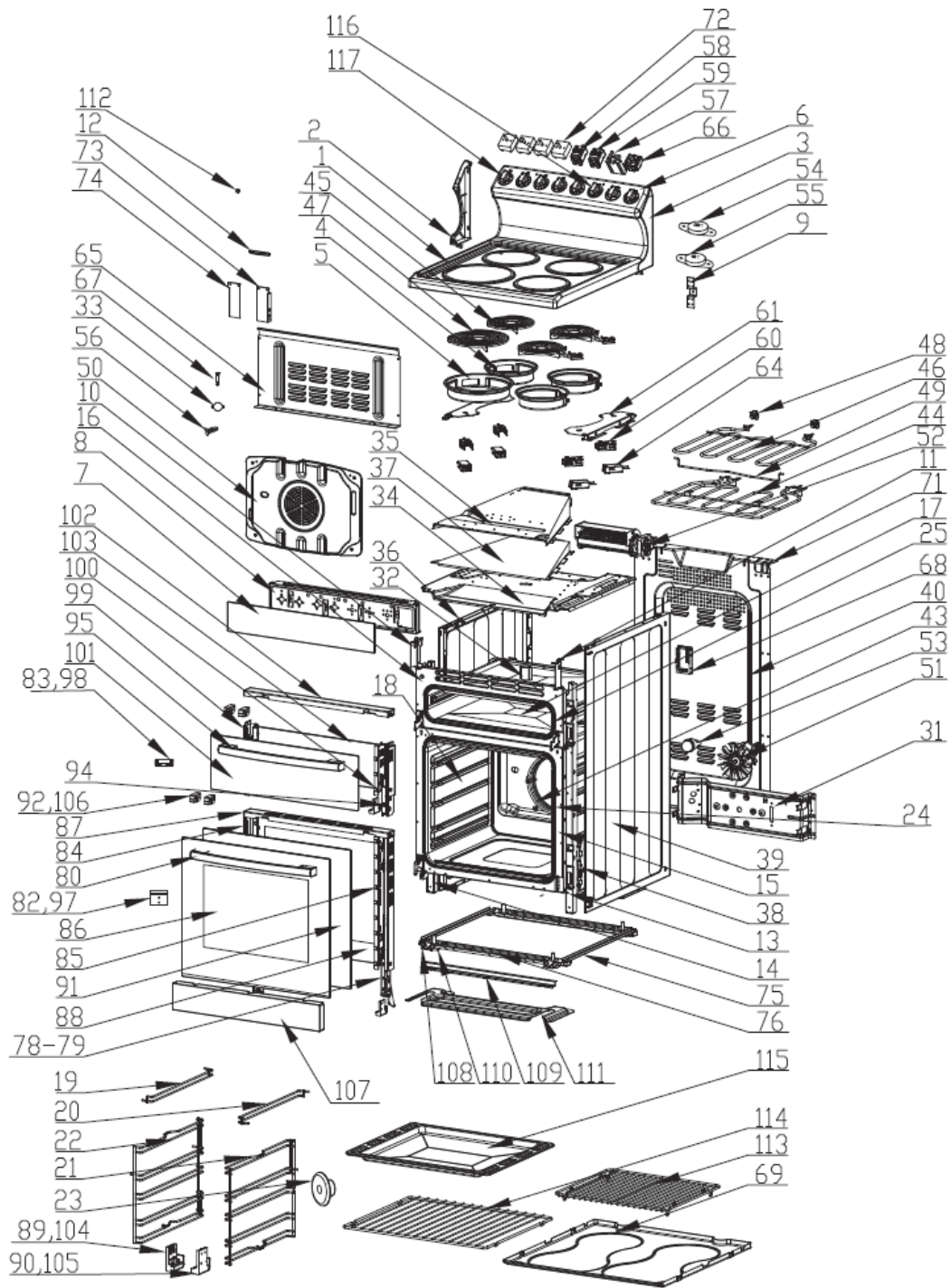


RHFS54RC



SEQ	PART NO.	QTY (in Product)	DESCRIPTION
1.00	2040500198	1	PANEL ASSEMBLY
2.00	30216300001	1	LEFT SIDE PANEL FOR REAR CONTROL PART
3.00	30216300002	1	RIGHT SIDE PANEL FOR REAR CONTROL PART
4.00	30313500074	3	WATER POND
5.00	30313500075	1	WATER POND
6.00	30305900066	1	CONTROL PANEL
7.00	30501500046	1	SEPARATE DECORATIVE GLASS ABOVE CONTROL PANEL
8.00	30305900379	1	CONTROL PANEL
9.00	30302700005	4	CONNECTION PLATE
10.00	30301400064	1	CONTROL PANEL FIXING PLATE
11.00	30301400063	1	CONTROL PANEL FIXING PLATE
12.00	30306700005	2	PANEL LIMIT BLOCK
13.00	30302500033	1	CAVITY SIDE SUPPORT-RIGHT HINGE PLATE
14.00	30302500032	1	CAVITY SIDE SUPPORT-LEFT HINGE PLATE
15.00	30315000380	1	BOTTOM GASKET-BIG
16.00	30315000379	1	BOTTOM GASKET-UPPER
17.00	2030300253	1	CAVITY COMPONENT
18.00	2030300074	1	CAVITY COMPONENT
19.00	30400200057	1	GUIDE BRACKET
20.00	30400200056	1	GUIDE BRACKET
21.00	30400200003	1	GUIDE BRACKET-RIGHT
22.00	30400200002	1	GUIDE BRACKET-LEFT
23.00	30400300004	4	SIDE RACK FIXING AXIS BOTTOM
24.00	2030400003	1	DOOR SEAL
25.00	2041000005	1	DOOR SEAL FOR SEPARATE GRILL CAVITY
26.00	30401600005	4	SPRING
27.00	30600100049	1	INSULATION FIBRE
28.00	30600100050	1	INSULATION FIBRE
29.00	30600100037	1	INSULATION FIBRE
30.00	30600100040	1	INSULATION FIBRE
31.00	30301500021	1	REAR FIXING BOARD FOR CAVITY
32.00	30401100015	1	CHIMNEY
33.00	30301900001	1	CHIMNEY GUARD BOARD
34.00	30301800026	1	CHIMNEY BOTTOM COVER
35.00	30312600011	1	CHIMNEY TOP COVER
36.00	30302700166	2	CONNECTION PLATE
37.00	30312700003	1	CHIMNEY MIDDLE COVER
38.00	30302600031	4	HINGE FIXED BOARD
39.00	30302300084	2	SIDE PLATE
40.00	30302200108	1	BACK COVER FOR SHELL
41.00	30102100170	1	CONNECTING WIRE
42.00	30102100821	1	CONNECTING WIRE
43.00	30101200167	1	BACK ELEMENT
44.00	30101200129	1	TOP ELEMENT
45.00	30101200109	3	ELEMENT
46.00	30101200165	1	TOP ELEMENT
47.00	30101200110	1	ELEMENT
48.00	30302900101	2	HINGE FIXED BOARD
49.00	30407900001	1	ELECTRIC HEAT PIPE FIXING ROD
50.00	30301100006	1	BAFFLE FOR REAR ELEMENT
51.00	30100300048	1	CIRCULATION FAN ASSMEBLY
52.00	30100400052	1	COOLING FAN ASSEMBLY
53.00	30101000001	1	ROUND LAMP COMPONENTS
54.00	30100700008	2	BOILER COVER THERMOSTAT
55.00	30100800003	1	THERMOSTAT
56.00	30304100001	4	TEMPERATURE CONTROLLED PROBE FIXED CLIP
57.00	30100500071	1	FUNCTION SWITCH
58.00	30100900001	1	THERMOSTATE
59.00	30100900008	1	THERMOSTATE

60.00	30302900083	4	HINGE FIXED BOARD
61.00	30302900106	2	HINGE FIXED BOARD
62.00	30206100003	2	RUBBER RING
63.00	30206100002	2	RUBBER RING
64.00	30104800006	4	TERMINAL
65.00	30302900107	1	HINGE FIXED BOARD
66.00	30100100001	1	MECHANICAL TIMER
67.00	30102500003	3	INDICATOR LAMP
68.00	30102600024	1	JUNCTION BOX
69.00	30301300010	1	THERMAL BAFFLE
70.00	60300700002	1	SILICONE INSULATED TUBE
71.00	30306000003	2	REAR PANEL FIXING BRACKET
72.00	30102200013	4	SIMMERSTAT
73.00	30302700088	1	CONNECTION PLATE
74.00	30302700087	1	CONNECTION PLATE
75.00	30313200063	2	SUPPORT FOR OVEN
76.00	30302700137	2	CONNECTION PLATE
77.00	2040200576	1	DOOR COMPLETE
78.00	30400600043	1	HINGE ASSEMBLY-NO.30
79.00	30400600044	1	HINGE ASSEMBLY-NO.31
80.00	30400700011	1	SHAKE HANDSHANDLE COMPONENTS
81.00	30201400003	2	SHAKE HANDSHANDLE WASHER
82.00	30303600001	1	HANDLE FIXING BRACKET
83.00	30201300001	2	HANDLE FIXING RUBBER
84.00	30303400203	1	LEFT DOOR FRAME
85.00	30303400204	1	LEFT DOOR FRAME
86.00	30500201057	1	OUTER DOOR GLASS
87.00	30303500105	1	TOP FIXING BRACKET OF DOOR
88.00	30500400131	1	INNER DOOR GLASS
89.00	30200900018	1	INNER DOOR GLASS FIXWD BLOCK-LEFT
90.00	30200900019	1	INNER DOOR GLASS FIXWD BLOCK-LEFT
91.00	30500300085	1	MIDDLE DOOR GLASS
92.00	30201000006	2	INTERMEDIATE GLASS BLOCK
93.00	2040200575	1	DOOR COMPLETE
94.00	30400600058	2	HINGE ASSEMBLY-NO. 30
95.00	30400700011	1	SHAKE HANDSHANDLE COMPONENTS
96.00	30201400003	2	SHAKE HANDSHANDLE WASHER
97.00	30303600001	1	HANDLE FIXING BRACKET
98.00	30201300001	2	HANDLE FIXING RUBBER
99.00	30303400199	1	LEFT DOOR FRAME
100.00	30303400200	1	LEFT DOOR FRAME
101.00	30500201036	1	OUTER DOOR GLASS
102.00	30303500063	1	TOP FIXING BRACKET OF DOOR
103.00	30500400168	1	INNER DOOR GLASS
104.00	30200900018	1	INNER DOOR GLASS FIXWD BLOCK-LEFT
105.00	30200900019	1	INNER DOOR GLASS FIXWD BLOCK-LEFT
106.00	30201000006	2	INTERMEDIATE GLASS BLOCK
107.00	30306400032	1	KICK PANEL
108.00	30302900099	2	HINGE FIXED BOARD
109.00	30302900245	1	HINGE FIXED BOARD
110.00	30201600011	4	NON-SLIP FEET
111.00	30305800002	1	ANTI TILT FEET
112.00	30204100005	2	OVEN AUXILIARY PLASTIC PARTS
113.00	30401000016	1	RACK IN GRILL TRAY
114.00	30400100011	1	SHELF
115.00	30304200010	1	GRILL TRAY
116.00	30402500258	2	KNOB
117.00	30402500031	6	KNOB