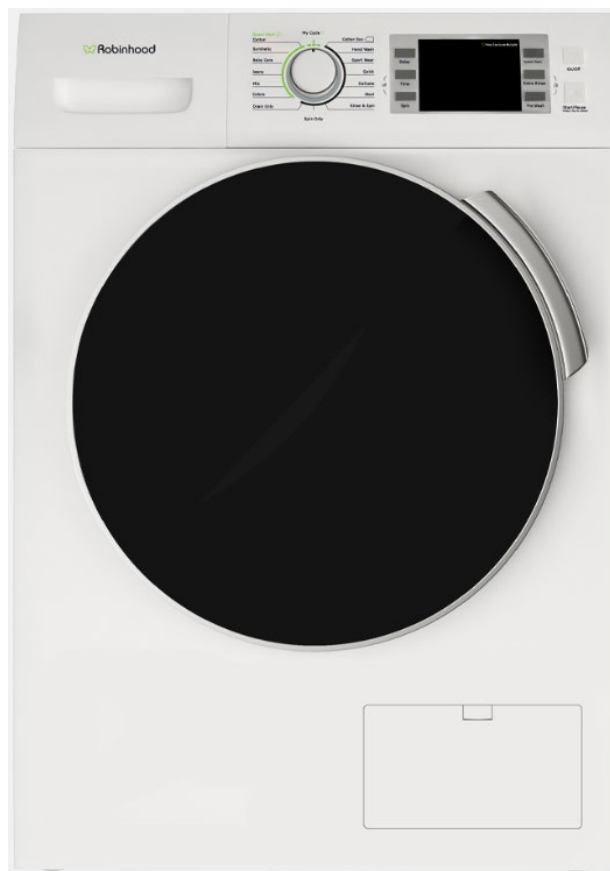


Description: **ROBINHOOD FRONT LOADING WASHING MACHINE 7.5KG WHITE**

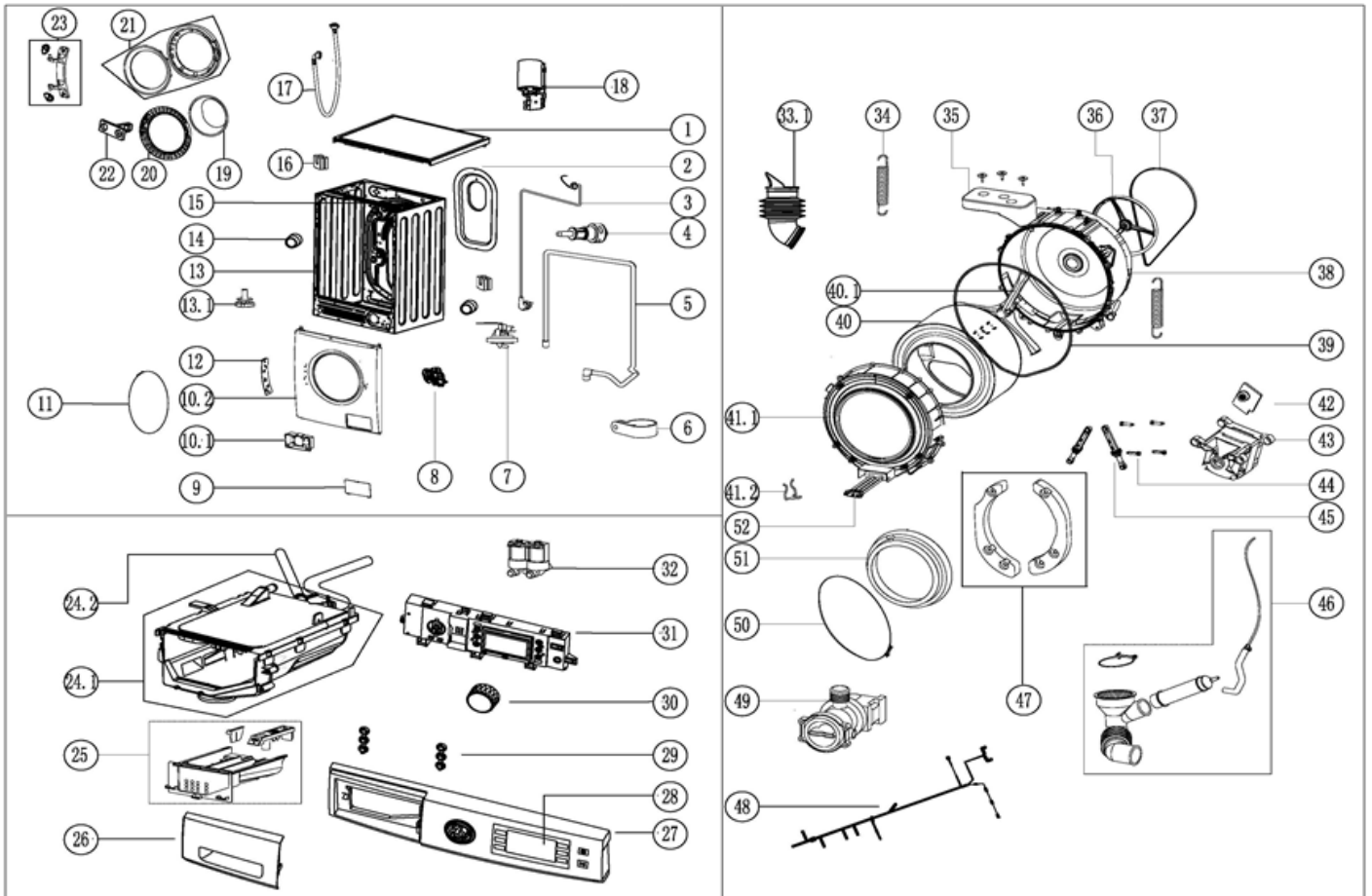
Model Number: **RHFL75W**



Model pictured: **RHFL75W**

Actual unit may vary from image shown

Exploded View



Parts List

Item	Description	Part Number	QTY in Product
1.0	TOP COVER ASSEMBLY	12138100019545	1
2.0	REAR COVER	12238100000652	1
3.0	POWER CORD	17438100000934	1
4.0	SHIPPING SCREW ASSEMBLY	12938100000063	4
5.0	DRAIN HOSE ASSEMBLY	12138100007109	1
6.0	DRAIN HOSE CATCH	12138100003094	1
7.0	WATER LEVEL SENSOR	17438100001348	1
8.0	DOOR LOCK	17438100004786	1
9.0	LINT FILTER DOOR	12138100000549	1
10.0	FRONT PANEL ASSEMBLY	12238100002563	1
10.1	FRONT PANEL	12238100005802	1
10.2	SERVICE PLATE BOX	12138100003574	1
11.0	DOOR GASKET SPRING CLIP SPRING	12938100000047	1
13.0	CABINET ASSEMBLY	12238100003481	1
13.1	ADJUSTABLE FOOT ASSEMBLY	12638100000042	4
14.0	FRONT PANEL PIN	12138100018556	2
15.0	TOP BRACKET	12238100000028	1
16.0	SPRING SUPPORT	12138100003060	2
17.0	WATER INLET HOSE ASSEMBLY	12038100A00461	1
18.0	ELECTRIC FILTER ASSEMBLY	17438100001354	1
19.0	DOOR GLASS	12538100000006	1
20.0	INNER RING	12138100006739	1
21.0	OUTER FRAME ASSEMBLY	12138100000044	1
22.0	DOOR PLUNGER	12338100000215	1
23.1	DOOR HINGE & PIN COVERS	12338100001462	2
24.2	DISPENSER ASSEMBLY	12138100003300	1
25.0	DRAWER ASSEMBLY	12138100009673	1
26.0	DRAWER HANDLE AND PRINTING	12138100A42848	1
27.0	CONTROL PANEL ASSEMBLY	12138100A42877	1
28.0	LED DECORATE PLATE AND PRINTING	12138100A42849	1
29.0	SILICONE BUTTON	12638100000560	2
30.0	CYCLE SELECT KNOB ASSEMBLY	12138200001563	1
31.0	PCB	17138100010105	1
32.0	WATER INLET VALVE	17438100000413	1
33.0	TUB WATER INLET HOSE ASSEMBLY	12638100000279	1
34.0	SUSPENSION SPRING	12900104000025	2
35.0	UPPER COUNTERWEIGHT	12738100000035	1
36.0	PULLEY	12338100000148	1
37.0	BELT	12638100000250	1
38.0	REAR TUB ASSEMBLY	12138100A03316	1
40.0	BASKET ASSEMBLY	12238100000535	1
40.1	SPIDER ASSEMBLY	12338100000001	1
41.0	FRONT TUB ASSEMBLY	12138100002100	1
41.1	FRONT TUB	Not available	1
41.2	HEATER SUPPORT	12238100000506	1
43.0	UNIVERSAL MOTOR	11002011000103	1
44.0	DAMPER PIN	12138100002987	4
45.0	DAMPER	12938100000466	2
46.0	TUB DRAIN HOSE ASSEMBLY	12638100000121	1
47.0	COUNTERWEIGHT ASSEMBLY	12738100000262	1
48.0	INTERNAL WIRE ASSEMBLY	17438100002442	1
49.0	PERMANENT MAGNET SYNCHRONOUS PUMP	11001011000245	1
50.0	DOOR GASKET CLAMP	12938100000015	1
51.0	DOOR GASKET	12638100000199	1
52.0	HEATER	17438100000434	1

New Zealand

Monaco Corporation Ltd
 Telephone: (09) 415 6000
 Facsimile: (09) 415 7400
 Email: enquiries@robinhood.co.nz
 www.robinhood.co.nz

Australia

Shriro Australia Pty Ltd
 (ABN 28 002 386 129)
 Telephone: 1800 648 556
 Facsimile: 1800 628 577
 Email: enquiries@robinhood.com.au
 www.robinhood.com.au

