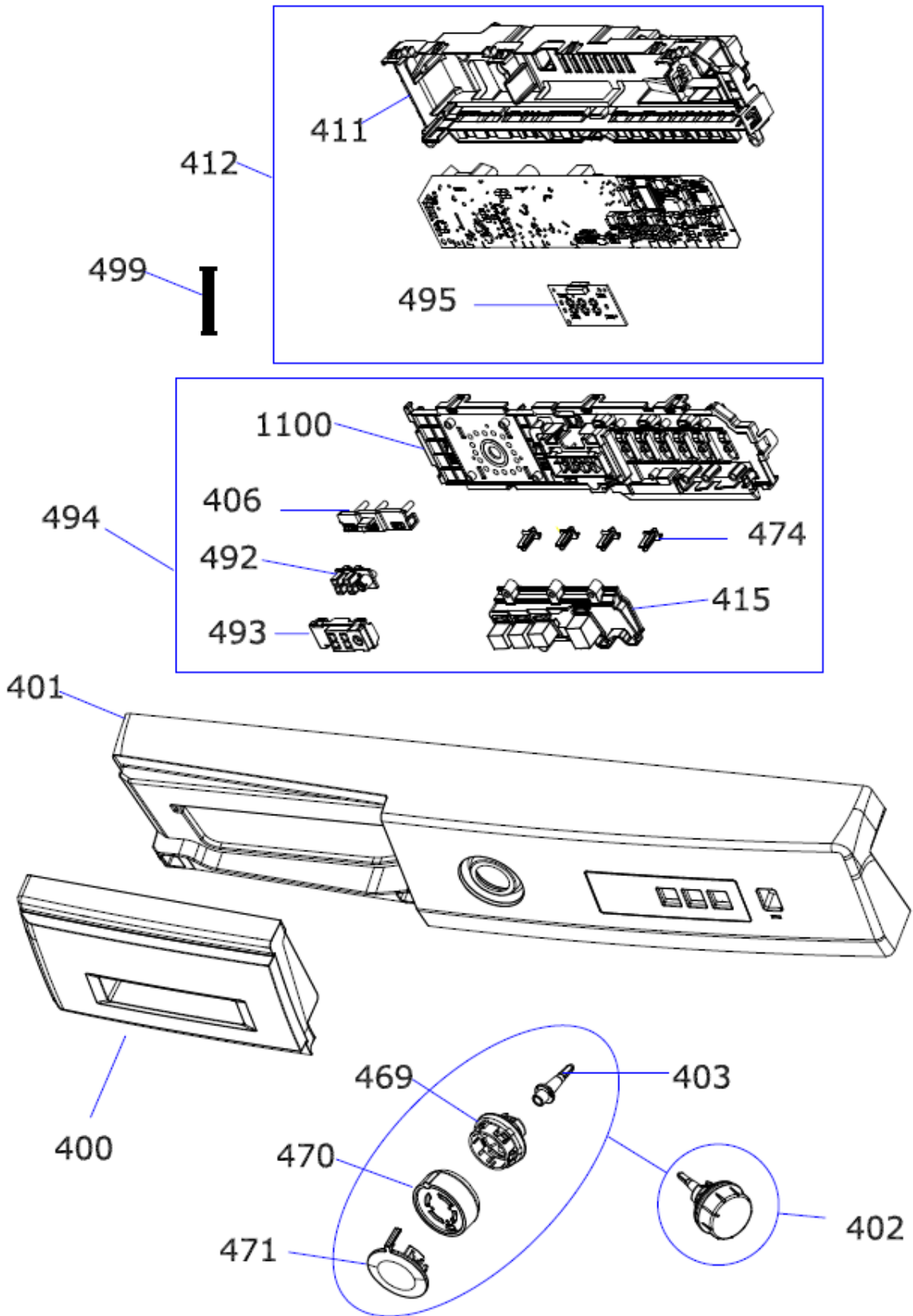


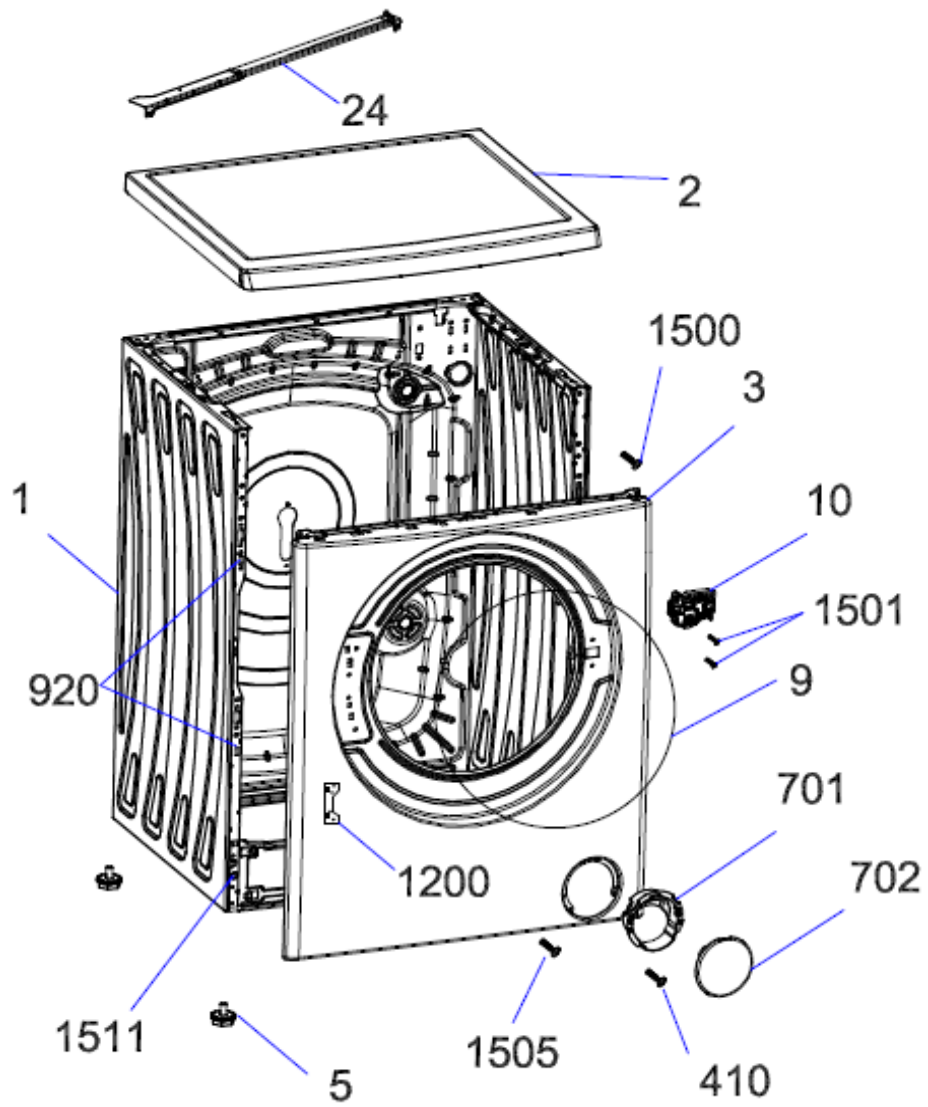
# 1. CONTROL PANEL PARTS



\*469-470-471 "This spare part is optional and depends on agreed specifications. Therefore you may not find this position number in product's spare part list."

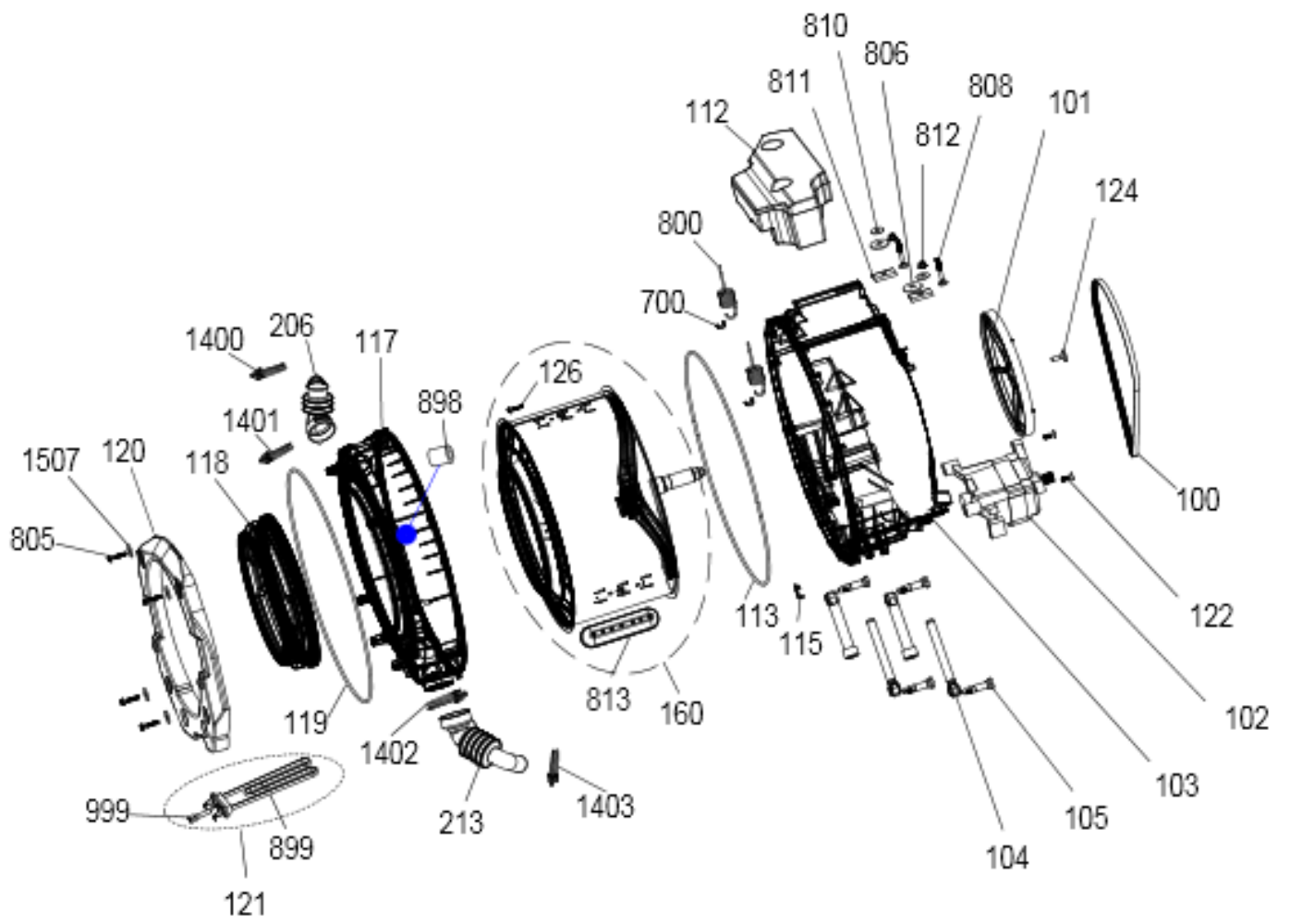
| SEQ  | PART NO.  | DESCRIPTION                                      | QTY (in Product) |
|------|-----------|--|------------------|
| 400  | V42281291 | DETERGENT DRAWER COVER                           | 1                |
| 401  | V42281286 | CONTROL PANEL                                    | 1                |
| 402  | V42199960 | PR. ADJUSTMENT KNOB GR (470+471)                 | 1                |
| 403  | V42161575 | PROGRAMME ADJUSTMENT SHAFT                       | 1                |
| 406  | V42202178 | LIGHT GUIDE DUO                                  | 1                |
| 411  | V42187918 | PCB BOX  | 1                |
| 412  | V22309724 | ELECTRONIC CARD                                  | 1                |
| 415  | V42202174 | TRIPLE SELECTION BUTTON                          | 1                |
| 469  | V42187922 | PROGRAM ADJ. INSERT                              | 1                |
| 470  | V42187920 | PROGRAM ADJ. KNOB                                | 1                |
| 471  | V42187921 | PROGRAM ADJ. KNOB COVER                          | 1                |
| 474  | V42187938 | BUTTON SHAFT/T SERIES                            | 4                |
| 492  | V42187929 | DISPLAY 1888 LIGHT GUIDE                         | 1                |
| 493  | V42187931 | DISPLAY 888 COVER/PARDUS                         | 1                |
| 494  | V42205813 | PCB COVER-SEÇ.BUT.GR.                            | 1                |
| 495  | V22174105 | T1/T2 CARD GR.AMBER                              | 1                |
| 499  | V32035097 | LCD COMMUNICATION CABLE-MECHANICAL               | 1                |
| 500  | V42281284 | CONTROL PANEL GROUP ( indicated for the website) | 1                |
| 1100 | V42187917 | PCB BOX REAR COVER                               | 1                |

## 2. FRONT PANEL PARTS



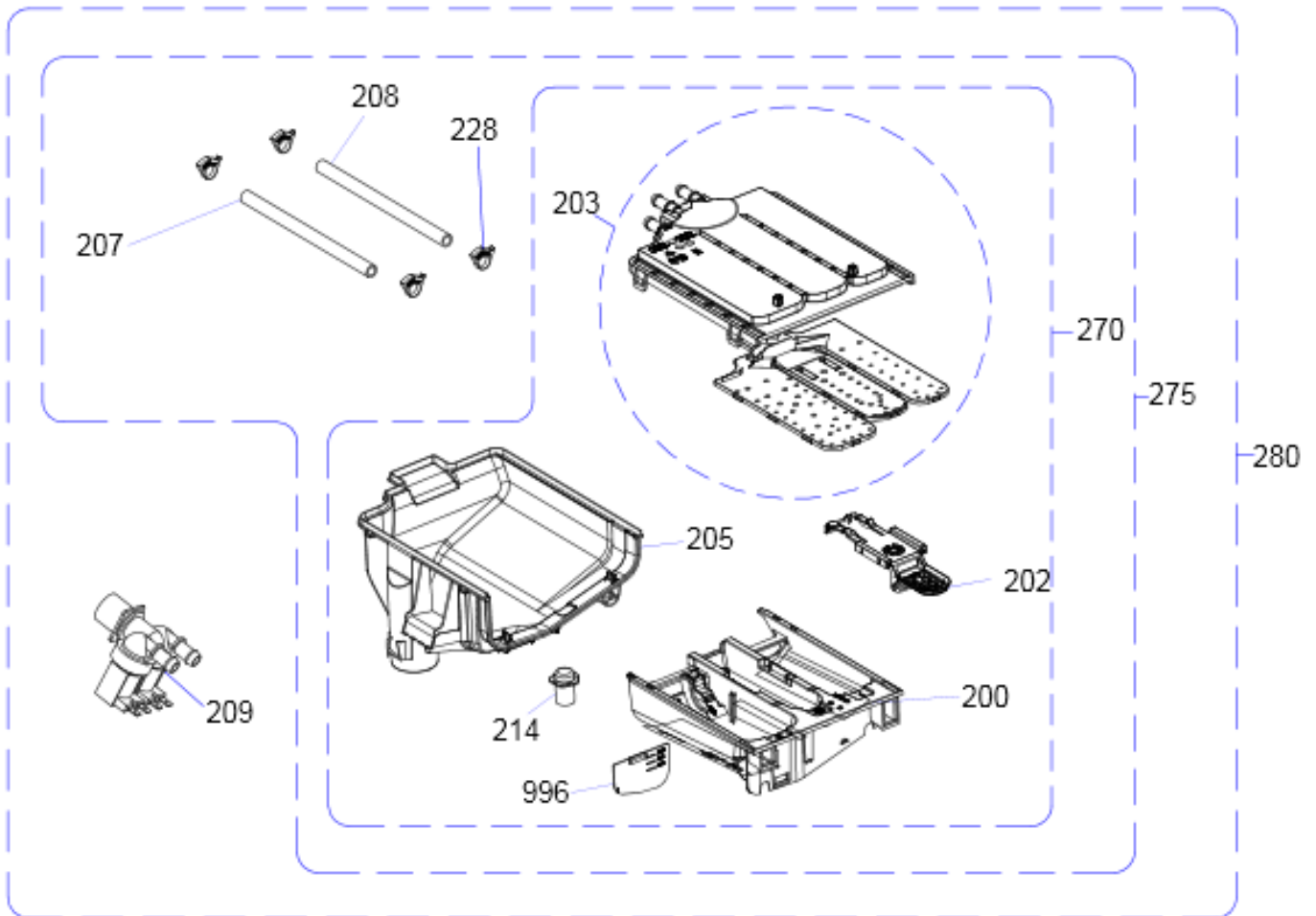
| SEQ  | PART NO.  | DESCRIPTION                              | QTY (in Product) |
|------|-----------|--|------------------|
| 1    | V20813523 | BODY GROUP PAINTED                       | 1                |
| 2    | V42026000 | UPPER TRAY GROUP                         | 1                |
| 3    | V22154970 | FRONT PANEL GROUP                        | 1                |
| 5    | V47013982 | ADJUSTABLE FEET GR.                      | 4                |
| 9    | V37008604 | HOUSING FRAME BELLOW CLIP-PHYTON         | 1                |
| 10   | V32035412 | DOOR LOCK                                | 1                |
| 24   | V22183972 | UPPER SUPPORT BRAKET                     | 1                |
| 701  | V42187827 | PUMP COVER HOUSING                       | 1                |
| 702  | V42187826 | PUMP COVER                               | 1                |
| 920  | V42020456 | FRONT PANEL DROP FIXING PLASTIC-II       | 4                |
| 1200 | V22132295 | HINGE SUPPORT SHEET                      | 1                |
| 1500 | V37015098 | ST 4,2X9,5 TRTSB                         | 2                |
| 1501 | V37014455 | ISO 7049 ST 4,2X16 TORX                  | 2                |
| 1504 | V37014453 | ISO 7049 ST 4,2X13 TORX                  | 4                |
| 1505 | V37014454 | ST 4,8X9,5 PAN HE.WITH COL.TORX UN.SER.E | 2                |
| 1511 | V42088991 | FRONT PANEL DROP FIXING PLASTIC-I-B      | 2                |
| 410  | V37016360 | SCREW 4X12 TORX PAN HE.W.COL.UND.HE.SER. | 1                |

### 3.WASHING GROUP PARTS



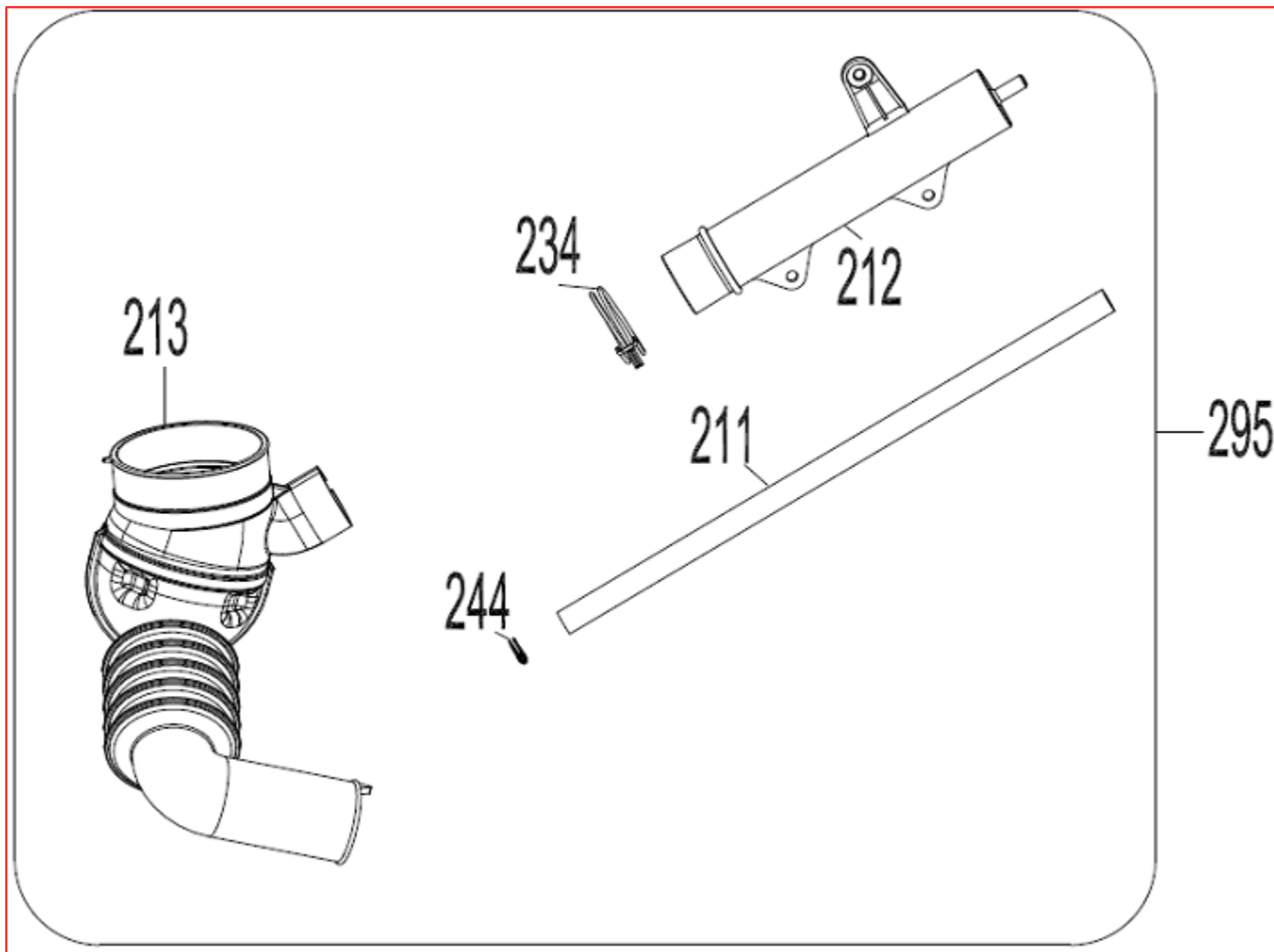
| SEQ  | PART NO.  | DESCRIPTION                            | QTY (in Product) |
|------|-----------|--|------------------|
| 100  | V42025177 | BELT                                   | 1                |
| 101  | V22115425 | DRIVEN PULLEY                          | 1                |
| 102  | V32033330 | MOTOR                                  | 1                |
| 103  | V22035128 | REAR TUB GROUP                         | 1                |
| 104  | V47011587 | SHOCK ABSORBER                         | 2                |
| 105  | V42025094 | SHOCK ABSORBER PIM                     | 2                |
| 112  | V47000337 | UPPER COUNTERWEIGHT                    | 1                |
| 113  | V42015077 | TUB SEAL                               | 1                |
| 115  | V37018738 | RESISTANCE FIXING WIRE                 | 1                |
| 117  | V42105199 | FRONT TUB                              | 1                |
| 118  | V42002568 | TUB BELLOWS SEAL                       | 1                |
| 119  | V37008603 | TUB BELLOW CLIP                        | 1                |
| 120  | V47019632 | FRONT COUNTERWEIGHT                    | 1                |
| 121  | V20846089 | RESISTANCE GROUP                       | 1                |
| 122  | V37007899 | COUNTERSUNK HEAD BOLT 8X25 TORK        | 2                |
| 124  | V22227543 | COUNTERSUNK HEAD BOLD M 8X29           | 1                |
| 126  | V37015518 | HEXAGON HEAD BOLT 6 X 30               | 12               |
| 160  | V22114653 | DRUM GROUP                             | 1                |
| 206  | V42087110 | TUB ENTERANCE WITH BELLOW HOSE         | 1                |
| 213  | V42127585 | TUB EXIT WITH BELLOW HOSE              | 1                |
| 700  | V42019298 | TUB HANGER SPRING PART                 | 2                |
| 800  | V37015308 | HANGER SPRING                          | 2                |
| 806  | V35007454 | DUZ RONDELA 8.4X28X3                   | 2                |
| 807  | V37019416 | HEXAGON HEAD BOLT                      | 4                |
| 808  | V37003063 | WASHER 8,4X28X3                        | 4                |
| 811  | V37016379 | UPPER CONCRETE SUPPORT SHEET IRON PART | 2                |
| 812  | V37006921 | NUT M8                                 | 2                |
| 813  | V42056336 | PLASTIC LIFTER                         | 1                |
| 810  | V37006960 | UPPER COUNTERWEIGHT WASHER 9X30X3      | 3                |
| 899  | V32015942 | RESISTANCE WITHOUT NTC                 | 1                |
| 999  | V32025771 | NTC                                    | 1                |
| 1401 | V37011009 | SPRING TYPE BANT CLAMP                 | 1                |
| 1402 | V35007369 | HOSE CLAMP SCREW TYPE Ø72              | 1                |
| 1403 | V37027638 | HOSE CLAMP Ø38,8                       | 1                |
| 1507 | V37019417 | DÜZ RONDELA 10.5X30X2.5                | 4                |

#### 4.DETERGENT DRAWER GROUP



| SEQ | PART NO.  | DESCRIPTION                    | QTY (in Product) |
|-----|-----------|--------------------------------|------------------|
| 200 | V42185057 | DETERGENT DRAWER               | 1                |
| 202 | V42185061 | SIPHON COVER                   | 1                |
| 203 | V42185088 | WATER DISTRIBUTION PLATE GROUP | 1                |
| 205 | V42185060 | DETERGENT DRAWER HOUSING       | 1                |
| 207 | V42081434 | VALVE-DETERGENT BOX HOSE       | 1                |
| 209 | V32035767 | VALVE(TWO EXIT)                | 1                |
| 214 | V42185070 | DETERGENT DRAWER LOCKING PART  | 1                |
| 228 | V42225796 | PLASTIC HOSE CLAMP             | 6                |
| 996 | V42185073 | LIQUID DETERGENT LEVEL PLATE   | 1                |
| 270 | V42185090 | DETERGENT BOX GROUP            | 1                |
| 275 | V42199983 | DETERGENT BOX GROUP/HOUSE      | 1                |
| 280 | V42199982 | DETERGENT BOX GROUP/FULL       | 1                |

## 5. PRESSURE SWITCH HOSE GROUP

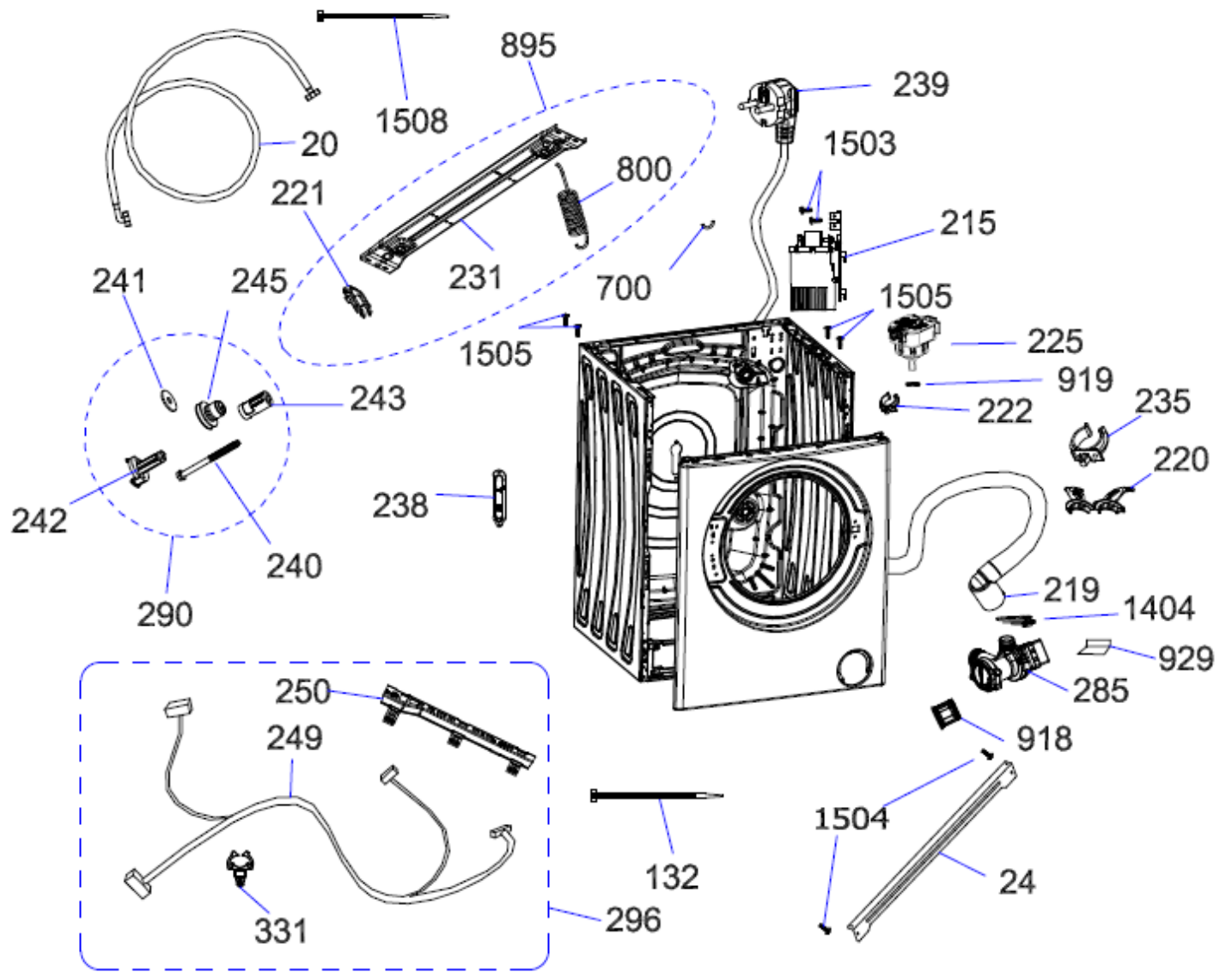


| SEQ | PART NO.  | DESCRIPTION                     | QTY (in Product) |
|-----|-----------|---------------------------------|------------------|
| 213 | V42127585 | TUB EXIT WITH BELLOW HOSE       | 1                |
| 212 | V42259234 | PRESSURE SWITCH WATER RESERVOIR | 1                |
| 211 | V42078599 | PRESSURE SWITCH HOSE            | 1                |
| 234 | V37027058 | HOSE CLAMP Ø32,7                | 1                |
| 244 | V35008991 | HOSE CLAMP Ø9,6                 | 1                |
| 295 | V42079698 | PRESSURE SWITCH HOSE GROUP      | 1                |

213-212-211-234-244----- PRESSURE SWITCH HOSE GROUP

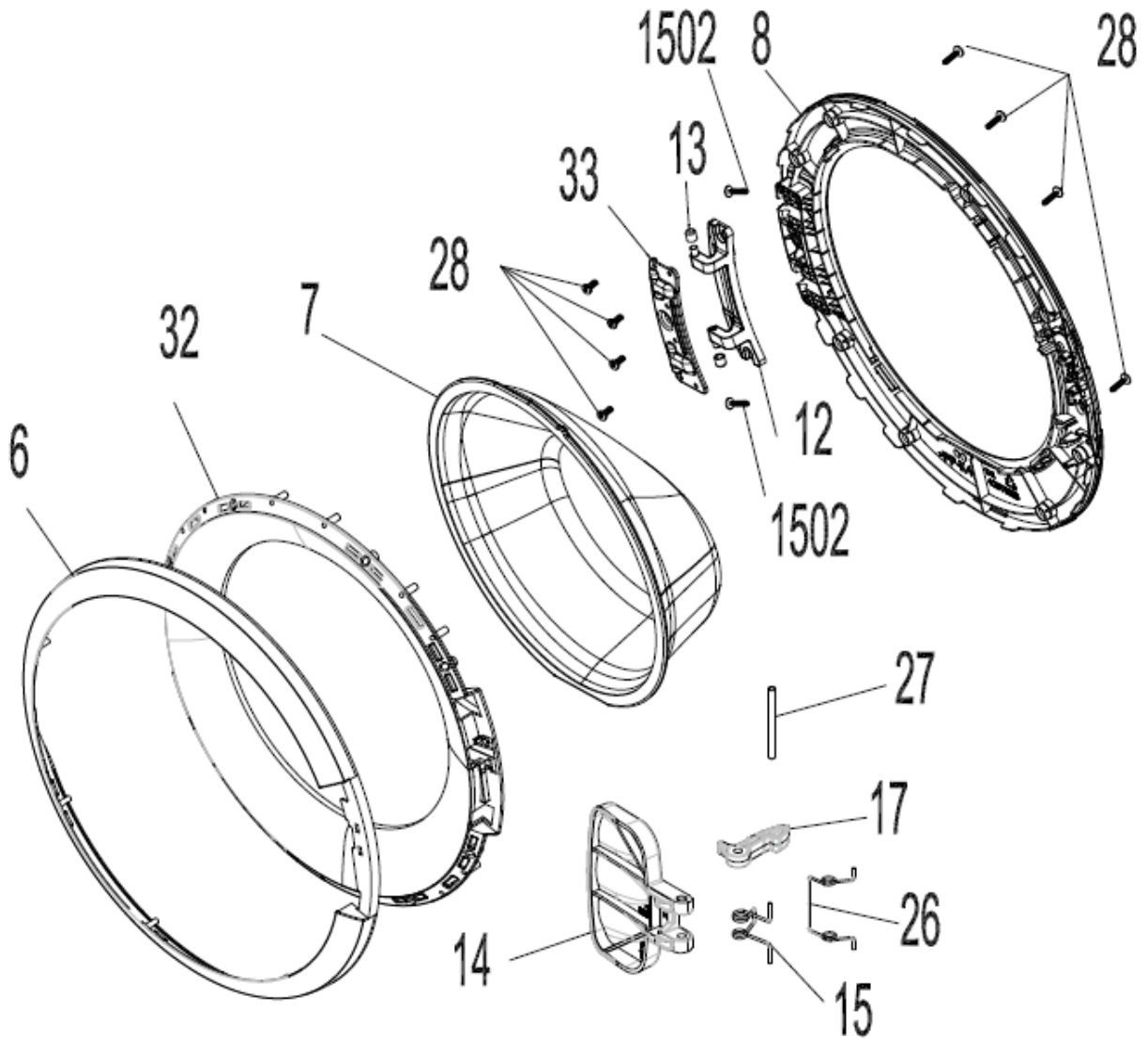


## 6. BODY GROUP PARTS



| SEQ  | PART NO.  | DESCRIPTION  | QTY (in Product) |
|------|-----------|--|------------------|
| 20   | V40014423 | WATER ENTRY HOSE GROUP   | 1                |
| 24   | V22183972 | UPPER SUPPORT BRACKET  | 1                |
| 285  | V32035483 | PUMP GROUP   | 1                |
| 220  | V42019322 | DRAIN HOSE ROUTER PLASTIC  | 1                |
| 219  | V42074837 | DRAIN HOSE   | 1                |
| 225  | V32025730 | ELECTRONIC PRESSURE SENSOR   | 1                |
| 215  | V32027178 | EMI FILTER   | 1                |
| 296  | V32037462 | CABLE GR   | 1                |
| 249  | V32037463 | CABLE HARNESS  | 1                |
| 250  | V42093407 | CABLE HARNESS HOLDER PLS   | 1                |
| 331  | V42085085 | LOCKING WIRE SADDLE (BLUE)   | 1                |
| 895  | V22084815 | SPRONG HANGER BRACKET GROUP  | 1                |
| 800  | V37015308 | TUB SPRING   | 2                |
| 231  | V22183978 | SPRING HANGER BRACKET  | 1                |
| 221  | V42016727 | HANGER SPRING BRACKET PLS.   | 2                |
| 700  | V42019298 | TUB HANGER SPRING PART<br>(PLASTIC HOUSING PART BETWEEN TUB AND SPRING HOOK) | 2                |
| 235  | V40014270 | DRAIN HOSE HOLDING PLS   | 4                |
| 239  | V32017181 | POWER CORD GROUP   | 1                |
| 222  | V42022768 | PRESSURE SWITCH MOUNTING CLIP  | 1                |
| 238  | V42236479 | SPEED CONTROL HOLE STOPPER   | 1                |
| 290  | V20905690 | TRANSPORT SCREW GROUP-II   | 4                |
| 242  | V42018528 | TRANSPORT SCREW PLASTIC-A-II   | 4                |
| 243  | V42018529 | TRANSPORT SCREW PLASTIC-B-II   | 4                |
| 240  | V37008363 | TRANSPORT SCREW  | 4                |
| 245  | V42060790 | TRANSPORT SCREW EPDM   | 4                |
| 241  | V37015272 | PLAIN WASHER 8,30X29X2   | 4                |
| 132  | V42048113 | CABLE TIE(YKB150)  | 7                |
| 918  | V42268872 | PUMP FILTER  | 1                |
| 919  | V37026508 | HOSE CLAMP Ø8,6  | 1                |
| 1404 | V37006977 | HOSE CLAMP.Ø35,0   | 1                |
| 1503 | V37016042 | ST 4,2X9,5 PAN HEAD W.COL.T.UNDER.SER.EA                                     | 2                |
| 1504 | V37014453 | ISO 7049 ST 4,2X13 TORX  | 4                |
| 1505 | V37014454 | ST 4,2X9,5 TRTSB   | 4                |

## 7. DOOR GROUP



\* 32 "This spare part is optional and depends on agreed specifications. Therefore you may not find this position number in product's spare part list."

| SEQ  | PART NO.  | DESCRIPTION  | QTY (in Product) |
|------|-----------|--|------------------|
| 6    | V42267583 | PORTHOLE OUTER PLASTIC                                       | 1                |
| 7    | V47003030 | DOOR GLASS   | 1                |
| 8    | V42219373 | PORTHOLE INNEER PLASTIC                                      | 1                |
| 12   | V37038752 | SHEET METAL HINGE GROUP                                      | 1                |
| 13   | V42023907 | HINGE PLASTIC  | 2                |
| 14   | V42285489 | DOOR HANDLE  | 1                |
| 15   | V35007443 | HOOK SPRING  | 1                |
| 17   | V37008931 | HOOK   | 1                |
| 26   | V37014985 | HANDLE SPRING  | 1                |
| 27   | V35007434 | DOOR HANDLE PIM  | 2                |
| 28   | V35008714 | SCREW 3.5X16PAN.HE.WITH COL.CR.RE.UN.HE                      | 8                |
| 32   | V42219385 | PORTHOLE INNER FRAME   | 1                |
| 50   | V42281283 | PORTHOLE GROUP (1502 excluded)                               | 1                |
| 1502 | V37035481 | SCREW M5X8 TSB (this part is not include in porthole group ) | 2                |

**ACCESSORIES**



996

997

998

| SEQ | PART NO.  | DESCRIPTION                  | QTY (in Product) |
|-----|-----------|------------------------------|------------------|
| 995 | V52384786 | ENERGY LABEL                 | 1                |
| 996 | V42185073 | LIQUID DETERGENT LEVEL PLATE | 1                |
| 997 | TBA       | DRAIN HOSE COAT RACK         | 1                |
| 998 | V42161854 | TRANSPORT SCREW STOPPER      | 4                |