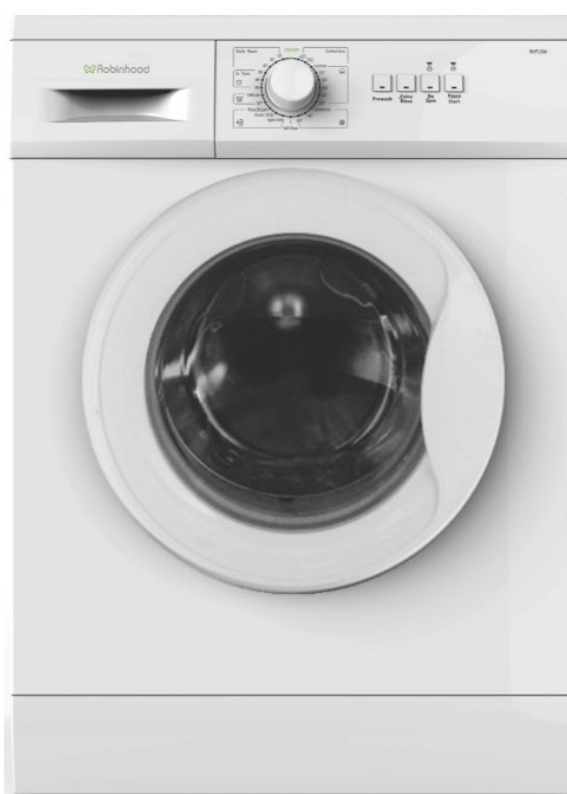


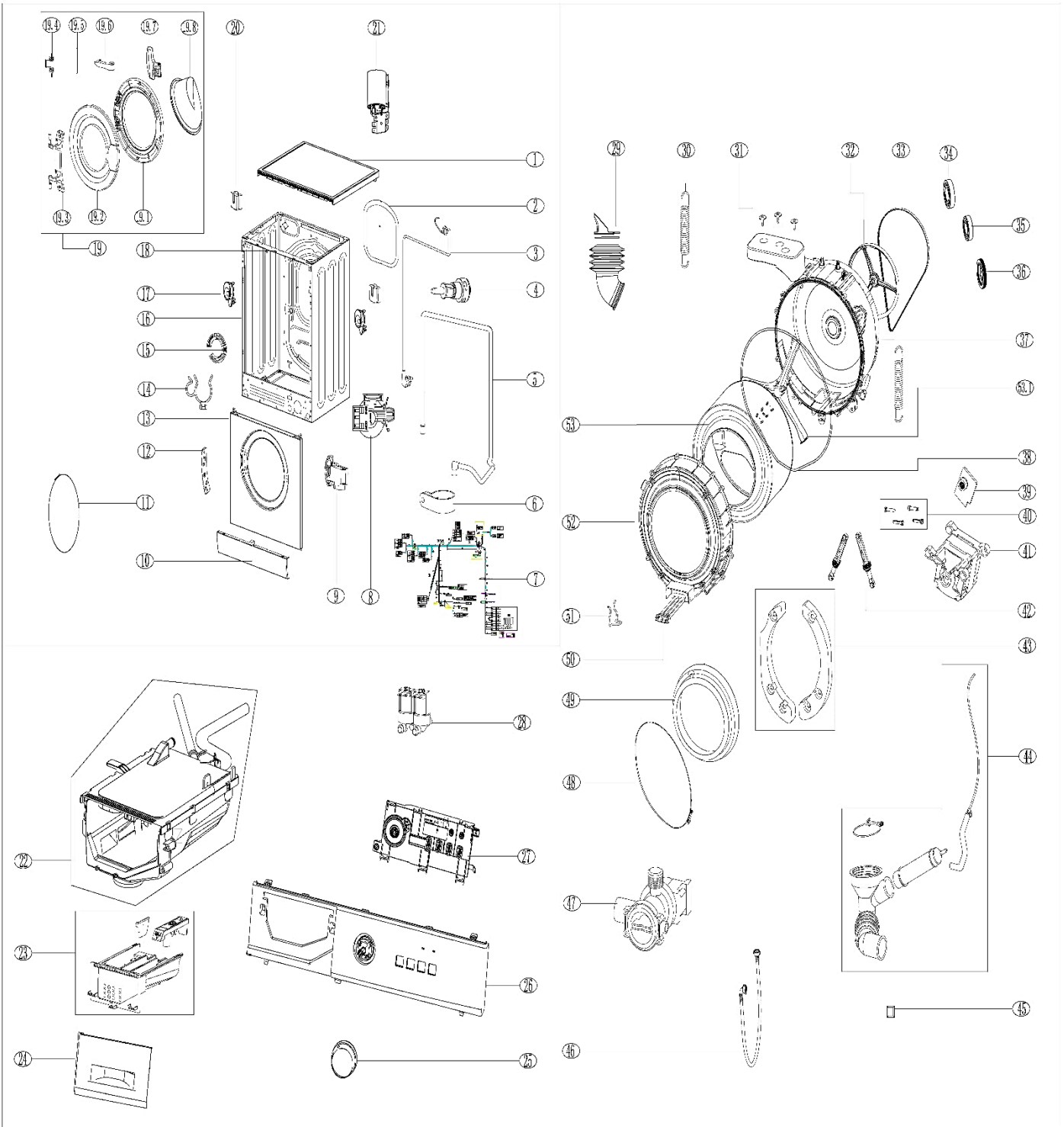
Description: **ROBINHOOD FRONT LOADING WASHING MACHINE 6KG WHITE**

Model Number: **RHFL6W**



Model pictured: **RHFL6W**

# Exploded View



## Parts List

ITEM	PART NO.	DESCRIPTION	QTY in Product
5.00	12138100007109	DRAIN HOSE ASSEMBLY	1
8.00	17438100001348	WATER LEVEL SENSOR	1
9.00	17438100000473	DOOR LOCK	1
19.70	12138100002764	DOOR HANDLE	1
21.00	17438100001354	ELECTRIC FILTER ASSEMBLY	1
22.00	12138100003268	DISPENSER SUBASSEMBLY	1
23.00	12138100009673	DRAWER ASSEMBLY	1
24.00	12138100A42866	DRAWER HANDLE AND PRINTING	1
25.00	12100403000944	CYCLE SELECT KNOB	1
26.00	12138100A42867	CONTROL PANEL ASSEMBLY	1
27.00	17138100009970	PCB	1
28.00	17438100000413	WATER INLET VALVE	1
30.00	12900104000014	SUSPENSION SPRING	2
32.00	12338100000152	PULLEY	1
33.00	12638100000244	BELT	1
41.00	11002011000048	UNIVERSAL MOTOR	1
42.00	12938100000466	DAMPER	2
46.00	12038100000542	WATER INLET HOSE ASSEMBLY	1
47.00	11001011000245	PERMANENT MAGNET SYNCHRONOUS PUMP	1
48.00	12938100000020	DOOR GASKET CLAMP	1
49.00	12638100000229	DOOR GASKET	1
50.00	17438100000434	HEATER	1
53.10	12338100000348	SPIDER ASSEMBLY	1

### New Zealand

Monaco Corporation Ltd  
 Telephone: (09) 415 6000  
 Facsimile: (09) 415 7400  
 Email: enquiries@robinhood.co.nz  
 www.robinhood.co.nz

### Australia

Shiro Australia Pty Ltd  
 (ABN 28 002 386 129)  
 Telephone: 1800 648 556  
 Facsimile: 1800 628 577  
 Email: enquiries@robinhood.com.au  
 www.robinhood.com.au

