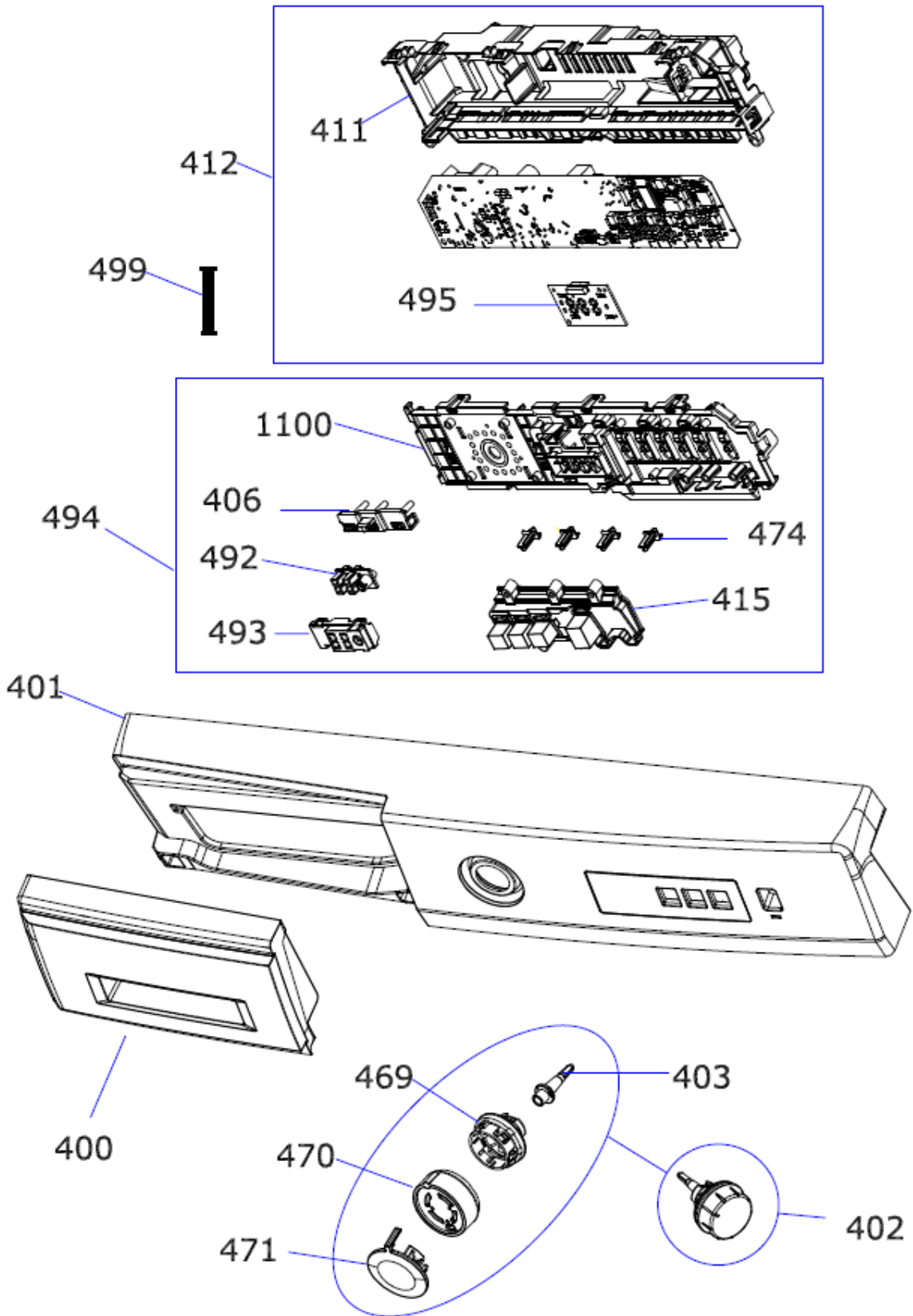


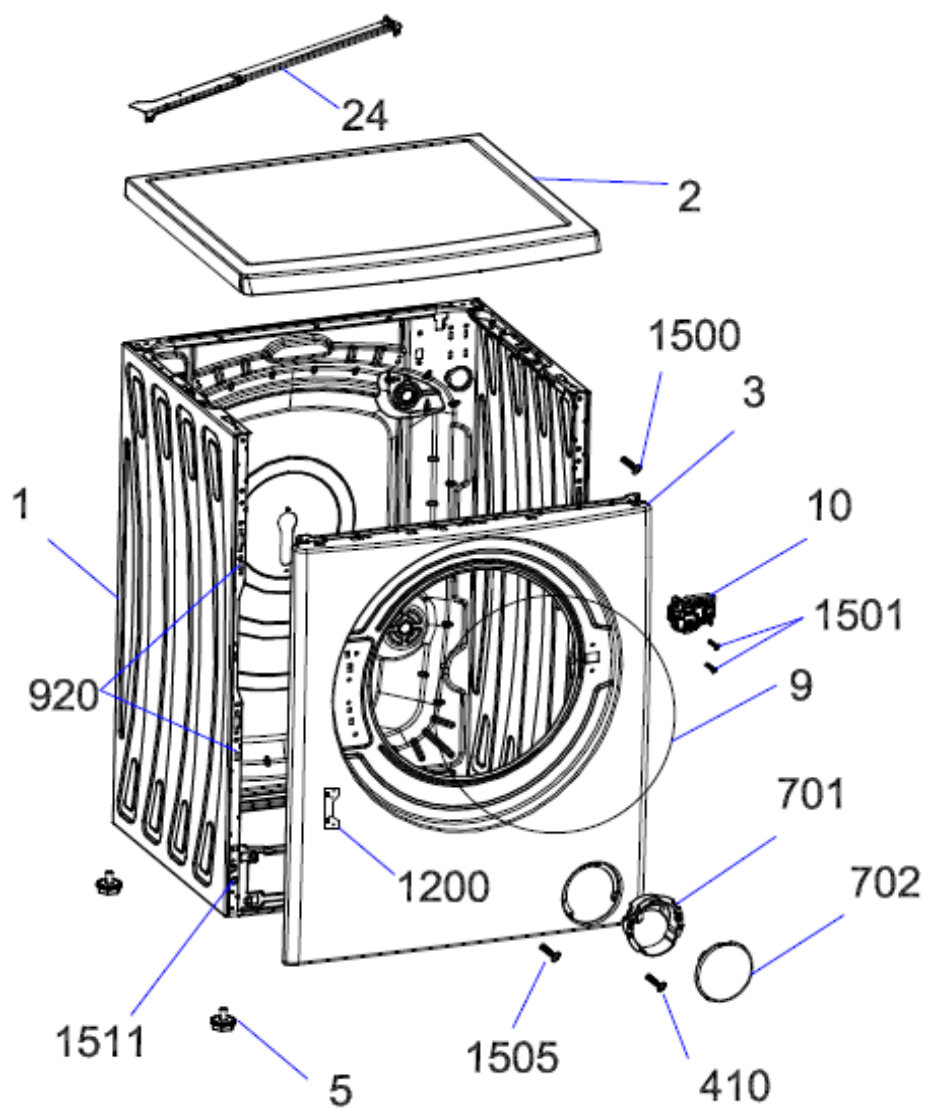
# 1. CONTROL PANEL PARTS



\*469-470-471 "This spare part is optional and depends on agreed specifications. Therefore you may not find this position number in product's spare part list."

SEQ	PART NO	DESCRIPTION	UNIT QTY
400	V42281281	DETERGENT DRAWER COVER	1
401	V42281278	CONTROL PANEL	1
402	V42199960	PR. ADJUSTMENT KNOB GR (470+471)	1
403	V42161575	PROGRAMME ADJUSTMENT SHAFT	1
406	V42202178	LIGHT GUIDE	1
411	V42187918	PCB BOX	1
412	V22309726	ELECTRONIC CARD	1
415	V42202174	TRIPLE SELECTION BUTTON	1
469	V42187922	PROGRAM ADJ. INSERT	1
470	V42187920	PROGRAM ADJ. KNOB	1
471	V42187921	PROGRAM ADJ. KNOB COVER	1
474	V42187938	BUTTON SHAFT/T SERIES	4
492	V42187929	DISPLAY 1888 LIGHT GUIDE	1
493	V42187931	DISPLAY 888 COVER/PARDUS	1
494	V42205813	PCB COVER-SEÇ.BUT.GR.	1
495	V22174105	T1/T2 CARD GR.AMBER	1
499	V32035097	LCD COMMUNICATION CABLE-MECHANICAL	1
500	V42281277	CONTROL PANEL GROUP	1
1100	V42187917	PCB BOX REAR COVER	1

## 2. FRONT PANEL PARTS



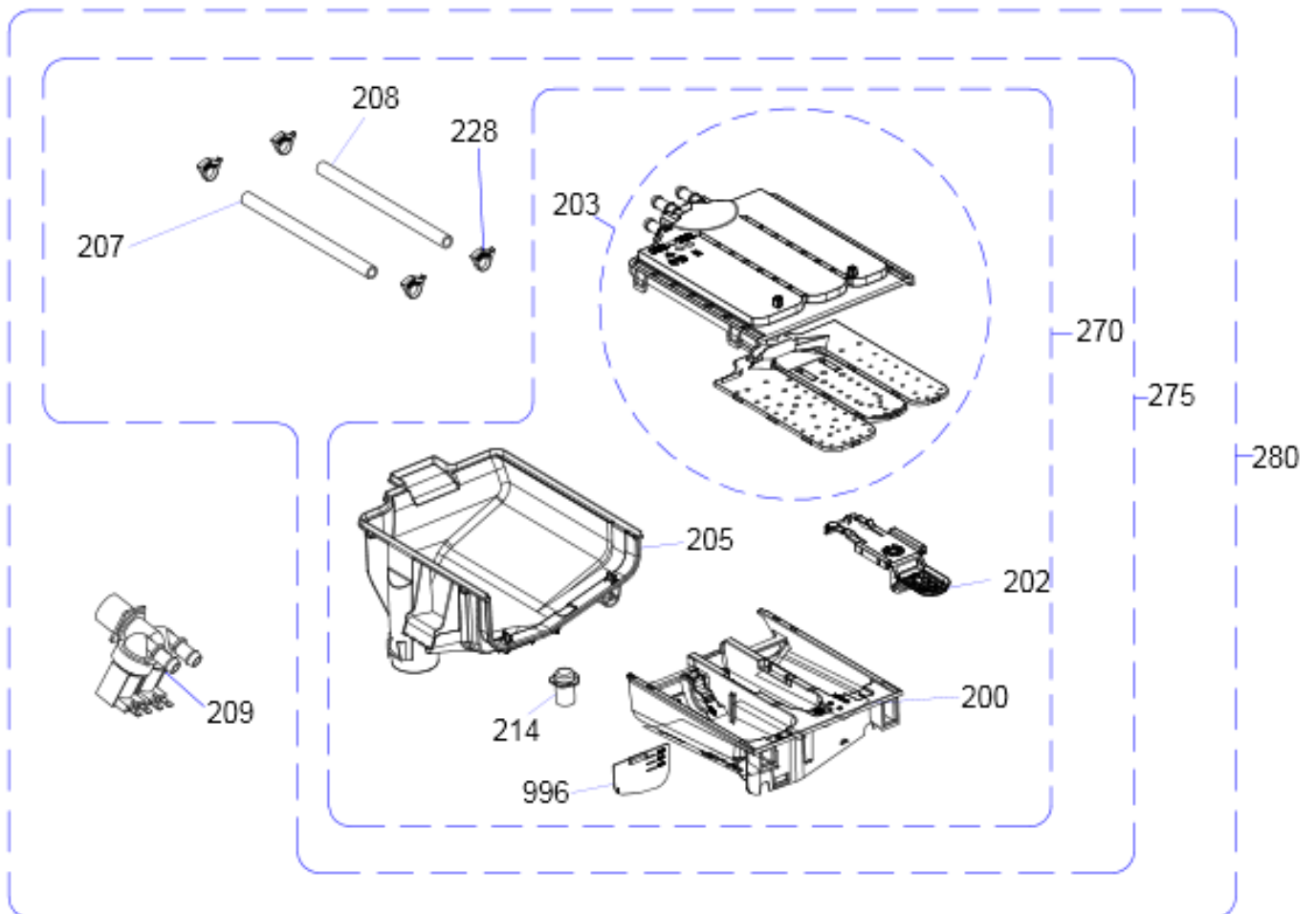
\*469-470-471 "This spare part is optional and depends on agreed specifications. Therefore you may not find this position number in product's spare part list."

SEQ	PART NO	DESCRIPTION	UNIT QTY
1	V20813489	BODY GROUP PAINTED	1
2	V42025998	UPPER TRAY GROUP	1
3	V22179609	FRONT PANEL GROUP	1
5	V22035571	ADJUSTABLE FEET GR.	4
9	V37008604	HOUSING FRAME BELLOW CLIP-PHYTON	1
10	V32024465	DOOR LOCK	1
24	V22183972	UPPER SUPPORT BRAKET	1
701	V42187827	PUMP COVER HOUSING	1
702	V42187826	PUMP COVER	1
920	V42020456	FRONT PANEL DROP FIXING PLASTIC-II	4
1200	V22132295	HINGE SUPPORT SHEET	1
1500	V37015098	ST 4,2X9,5 TRTSB	2
1501	V37014455	ISO 7049 ST 4,2X16 TORX	2
1504	V37014453	ISO 7049 ST 4,2X13 TORX	4
1505	V37014454	ST 4,8X9,5 PAN HE.WITH COL.TORX UN.SER.E	2
1511	V42088991	FRONT PANEL DROP FIXING PLASTIC-I-B	2
410	V37016360	SCREW 4X12 TORX PAN HE.W.COL.UND.HE.SER.	1



SEQ	PART NO	DESCRIPTION	UNIT QTY
100	V42025177	BELT	1
101	V22115425	DRIVEN PULLEY	1
102	V32028498	MOTOR	1
103	V20908095	REAR TUB GROUP	1
104	V47018453	SHOCK ABSORBER	2
105	V42025094	SHOCK ABSORBER PIM	2
112	V47000337	UPPER COUNTERWEIGHT	1
113	V42015077	TUB SEAL	1
115	V37018738	RESISTANCE FIXING WIRE	1
117	V42105198	FRONT TUB	1
118	V42002568	TUB BELLOWS SEAL	1
119	V37008603	TUB BELLOW CLIP	1
120	V47019634	FRONT COUNTERWEIGHT	1
121	V20846083	RESISTANCE GROUP	1
122	V37007899	COUNTERSUNK HEAD BOLT 8X25 TORK	2
124	V22227543	COUNTERSUNK HEAD BOLD M 8X29	1
126	V37015518	HEXAGON HEAD BOLT 6 X 30	12
160	V22114662	DRUM GROUP	1
206	V42087110	TUB ENTERANCE WITH BELLOW HOSE	1
213	V42127585	TUB EXIT WITH BELLOW HOSE	1
700	V42019298	TUB HANGER SPRING PART	2
800	V37016881	HANGER SPRING	2
806	V35007454	DUZ RONDELA 8.4X28X3	2
807	V37019416	HEXAGON HEAD BOLT	4
808	V37003063	WASHER 8,4X28X3	4
811	V37016379	UPPER CONCRETE SUPPORT SHEET IRON PART	2
812	V37006921	NUT M8	2
813	V42055352	PLASTIC LIFTER	1
810	V37006960	UPPER COUNTERWEIGHT WASHER 9X30X3	3
899	V32004582	RESISTANCE WITHOUT NTC	1
999	V32025771	NTC	1
1401	V37011009	SPRING TYPE BANT CLAMP	1
1402	V35007369	HOSE CLAMP SCREW TYPE Ø72	1
1403	V37027638	HOSE CLAMP Ø38,8	1
1507	V37019417	DÜZ RONDELA 10.5X30X2.5	4

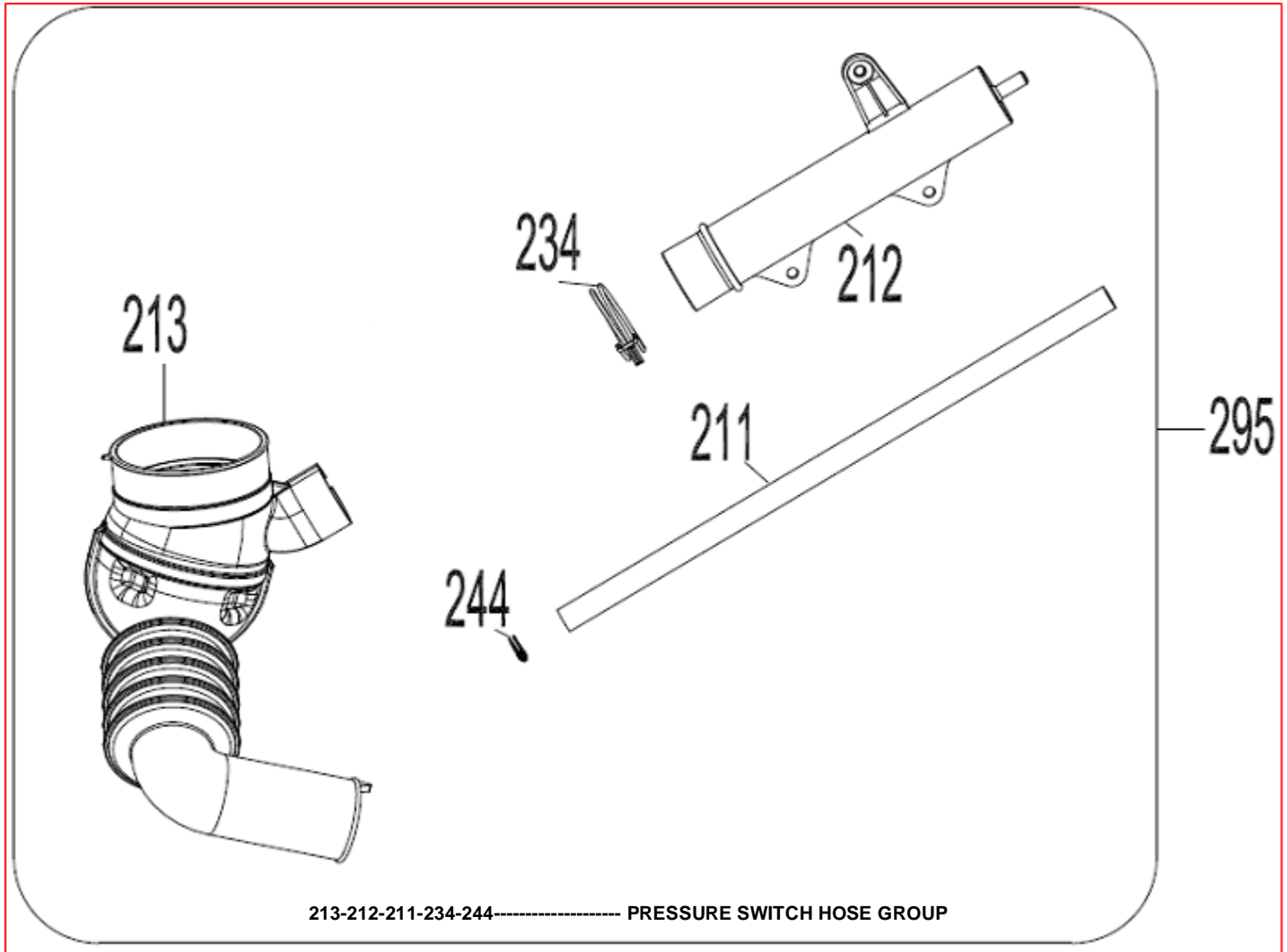
#### 4.DETERGENT DRAWER GROUP



SEQ	PART NO	DESCRIPTION	UNIT QTY
200	V42185084	DETERGENT DRAWER	1
202	V42185061	SIPHON COVER	1
203	V42185101	WATER DISTRIBUTION PLATE GROUP	1
205	V42185085	DETERGENT DRAWER HOUSING	1
207	V42081434	VALVE-DETERGENT BOX HOSE	1
209	V32035767	VALVE(TWO EXIT)	1
214	V42185070	DETERGENT DRAWER LOCKING PART	1
228	V42225796	PLASTIC HOSE CLAMP	6
996	V42185073	LIQUID DETERGENT LEVEL PLATE	1
270	V42185103	DETERGENT BOX GROUP	1
275	V42303958	DETERGENT BOX GROUP/HOSE	1
280	V42303957	DETERGENT BOX GROUP/FULL	1

\*469-470-471 “This spare part is optional and depends on agreed specifications. Therefore you may not find this position number in product’s spare part list.”

## 5. PRESSURE SWITCH HOSE GROUP

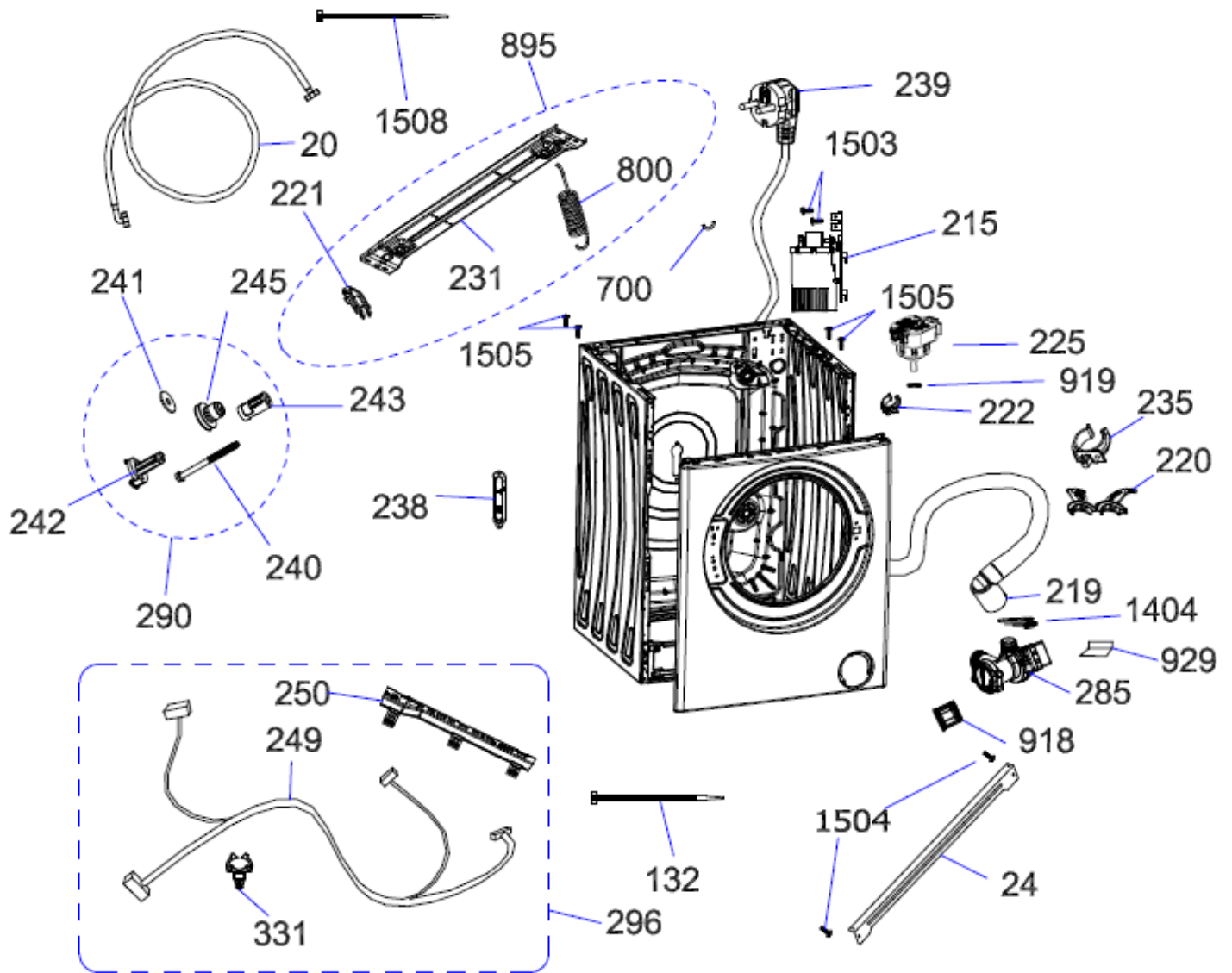


SEQ	PART NO	DESCRIPTION	UNIT QTY
213	V42127585	TUB EXIT WITH BELLOWS HOSE	1
212	V42259234	PRESSURE SWITCH WATER RESERVOIR	1
211	V42078599	PRESSURE SWITCH HOSE	1
234	V37027058	HOSE CLAMP Ø32,7	1
244	V35008991	HOSE CLAMP Ø9,6	1
295	V42079698	PRESSURE SWITCH HOSE GROUP	1

\*469-470-471 “This spare part is optional and depends on agreed specifications. Therefore you may not find this position number in product’s spare part list.”



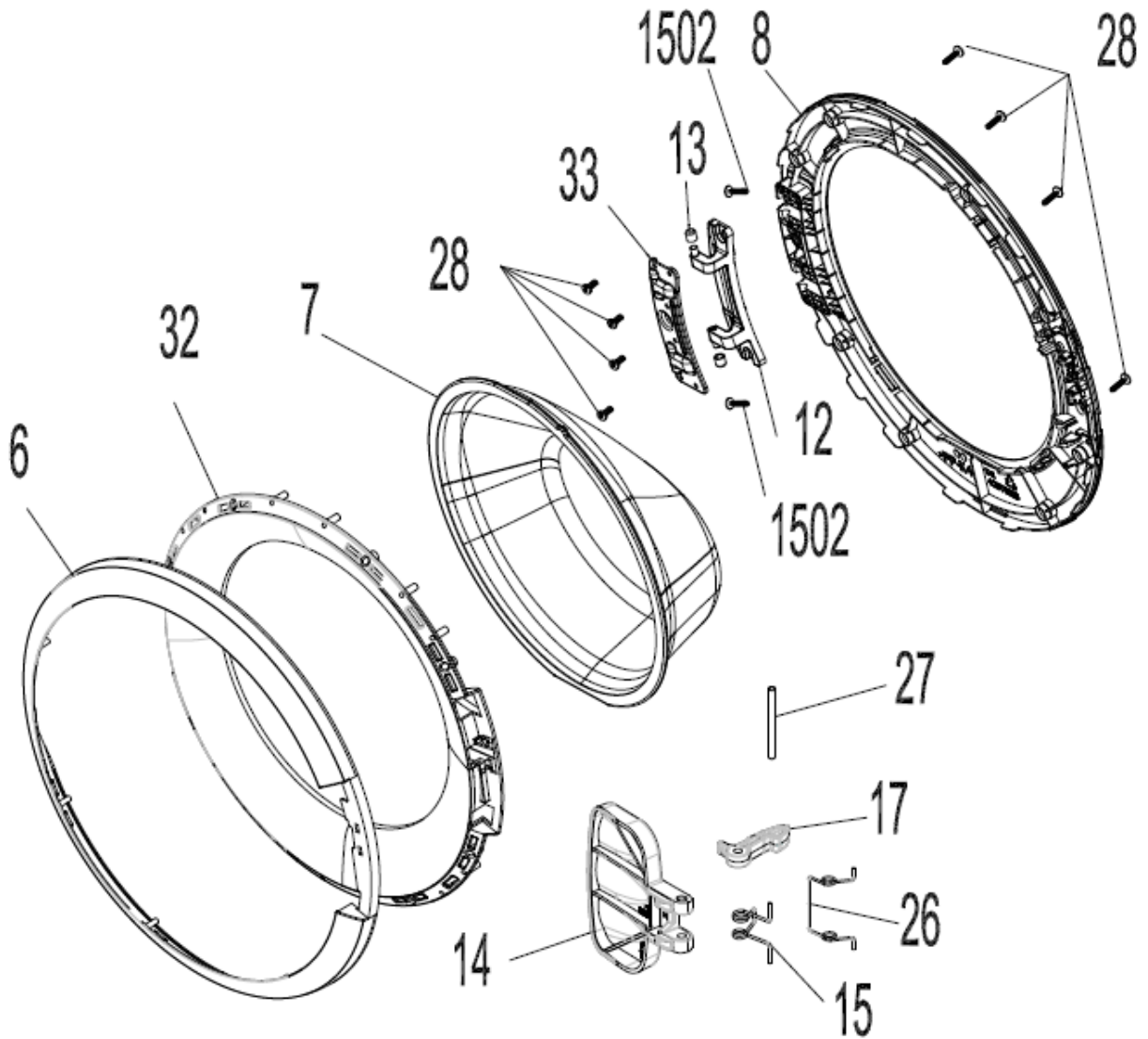
## 6. BODY GROUP PARTS



\*469-470-471 "This spare part is optional and depends on agreed specifications. Therefore you may not find this position number in product's spare part list."

SEQ	PART NO	DESCRIPTION	UNIT QTY
20	V40014423	WATER ENTRY HOSE GROUP	1
24	V22183972	UPPER SUPPORT BRACKET	1
285	V32048313	PUMP GROUP	1
220	V42019322	DRAIN HOSE ROUTER PLASTIC	1
219	V42074837	DRAIN HOSE	1
225	V32025730	ELECTRONIC PRESSURE SENSOR	1
215	V32039339	EMI FILTER	1
296	V32035683	CABLE GR	1
249	V32035684	CABLE HARNESS	1
250	V42093407	CABLE HARNESS HOLDER PLS	1
331	V42085085	LOCKING WIRE SADDLE (BLUE)	1
895	V20766750	SPRONG HANGER BRACKET GROUP	1
800	V37016881	TUB SPRING	2
231	V22183978	SPRING HANGER BRACKET	1
221	V42016727	HANGER SPRING BRACKET PLS.	2
700	V42019298	TUB HANGER SPRING PART (PLASTIC HOUSING PART BETWEEN TUB AND SPRING HOOK)	2
235	V40014270	DRAIN HOSE HOLDING PLS	4
239	V32017181	POWER CORD GROUP	1
222	V42022768	PRESSURE SWITCH MOUNTING CLIP	1
238	V42236479	SPEED CONTROL HOLE STOPPER	1
290	V20905690	TRANSPORT SCREW GROUP-II	4
242	V42018528	TRANSPORT SCREW PLASTIC-A-II	4
243	V42018529	TRANSPORT SCREW PLASTIC-B-II	4
240	V37008363	TRANSPORT SCREW	4
245	V42060790	TRANSPORT SCREW EPDM	4
241	V37015272	PLAIN WASHER 8,30X29X2	4
132	V42048113	CABLE TIE(YKB150)	7
918	V32048313	PUMP FILTER	1
919	V37026508	HOSE CLAMP Ø8,6	1
1404	V37006977	HOSE CLAMP.Ø35,0	1
1503	V37016042	ST 4,2X9,5 PAN HEAD W.COL.T.UNDER.SER.EA	2
1504	V37014453	ISO 7049 ST 4,2X13 TORX	4
1505	V37014454	ST 4,2X9,5 TRTSB	4

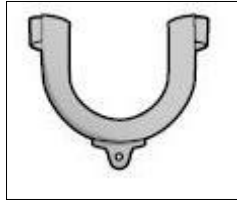
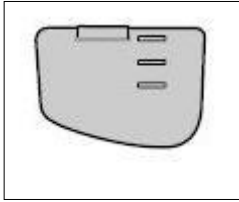
## 7. DOOR GROUP



\* 32 "This spare part is optional and depends on agreed specifications. Therefore you may not find this position number in product's spare part list."

SEQ	PART NO	DESCRIPTION	UNIT QTY
6	V42196607	PORTHOLE OUTER PLASTIC	1
7	V47003030	DOOR GLASS	1
8	V42125292	PORTHOLE INNER PLASTIC	1
12	V37016846	SHEET METAL HINGE GROUP	1
13	V42030372	HINGE PLASTIC	2
14	V42196609	DOOR HANDLE	1
15	V35007443	HOOK SPRING	1
17	V37008931	HOOK	1
26	V37014985	HANDLE SPRING	1
27	V35007434	DOOR HANDLE PIM	2
28	V35008714	SCREW 3.5X16PAN.HE.WITH COL.CR.RE.UN.HE	8
32	V42196608	PORTHOLE INNER FRAME	1
50	V42196629	PORTHOLE GROUP (1502 excluded)	1
1502	V37035481	SCREW M5X8 TSB (this part is not include in porthole group )	2

## ACCESSORIES



996

997

998

SEQ	PART NO	DESCRIPTION	UNIT QTY
996	V42185073	LIQUID DETERGENT LEVEL PLATE	1
997	TBA	DRAIN HOSE COAT RACK	1
998	V42161854	TRANSPORT SCREW STOPPER	4