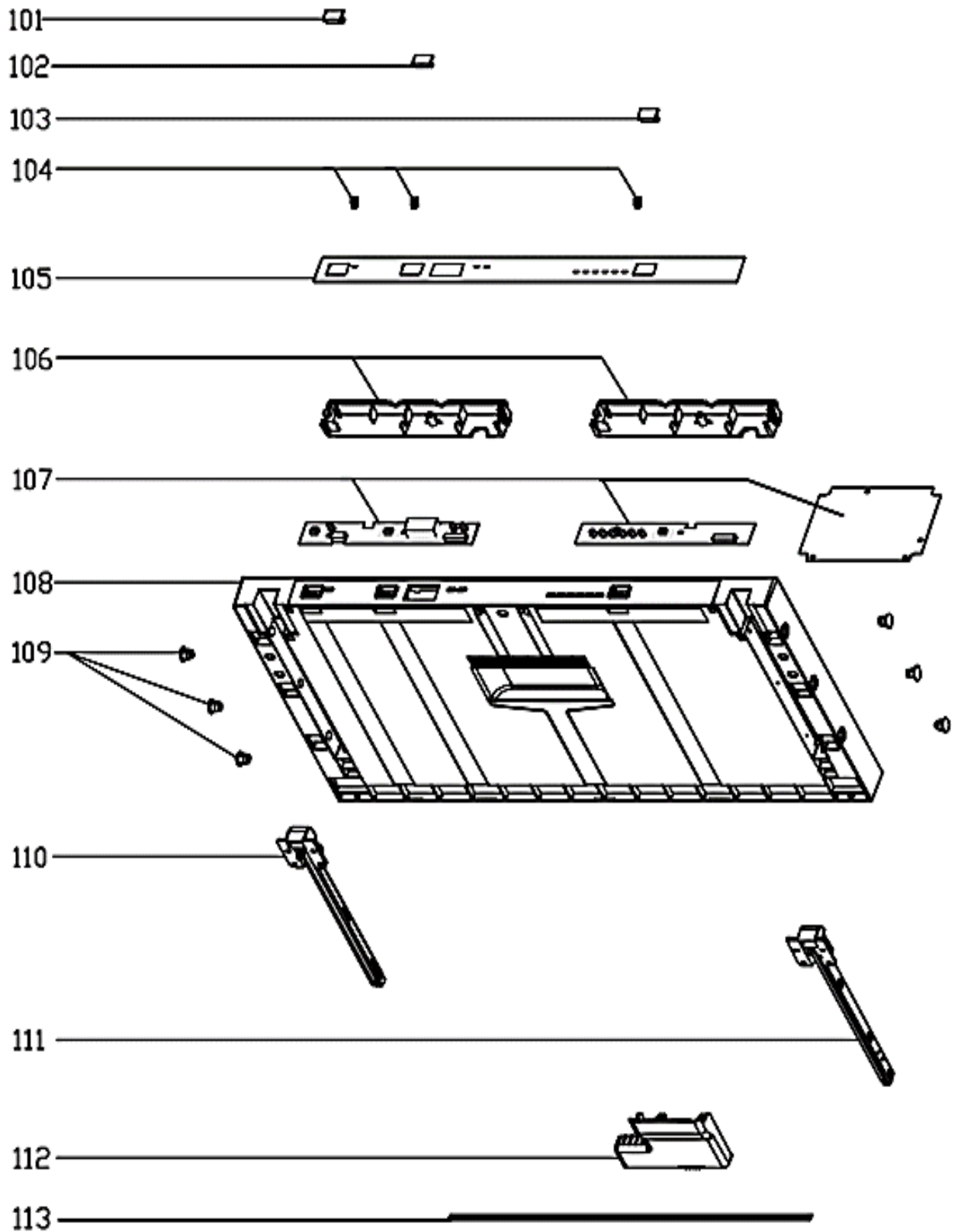


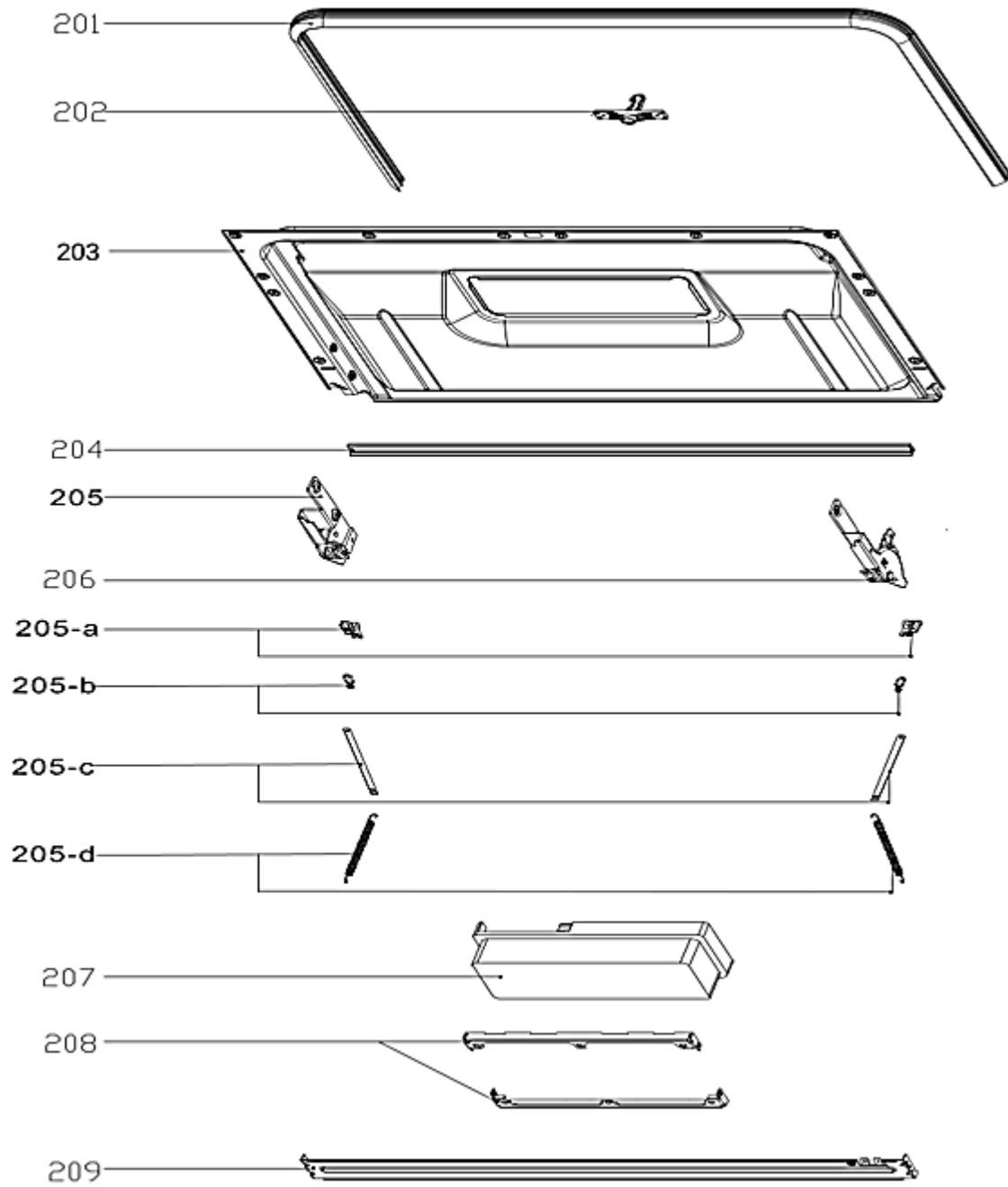
RHFIDW55S



RHFIDW55S

SEQ	Part Number	Description	Qty on Product
101	12176000016727	Button	1
102	12176000016724	Button	1
103	12176000016725	Button	1
104	12976000000141	Spring	3
105	12176000A80683	Control Panel Patch	1
106	12176000022845	PCB Box	2
107	17176000022287	Display panel	1
108	12176000A65349	Outer Door	1
109	12176000003558	Enclosure cover	6
110	12276000012827	Slide Rail	1
111	12276000012825	Slide Rail	1
112	12176000022846	Box	1
113	17476000005943	Main Wire Harness	1

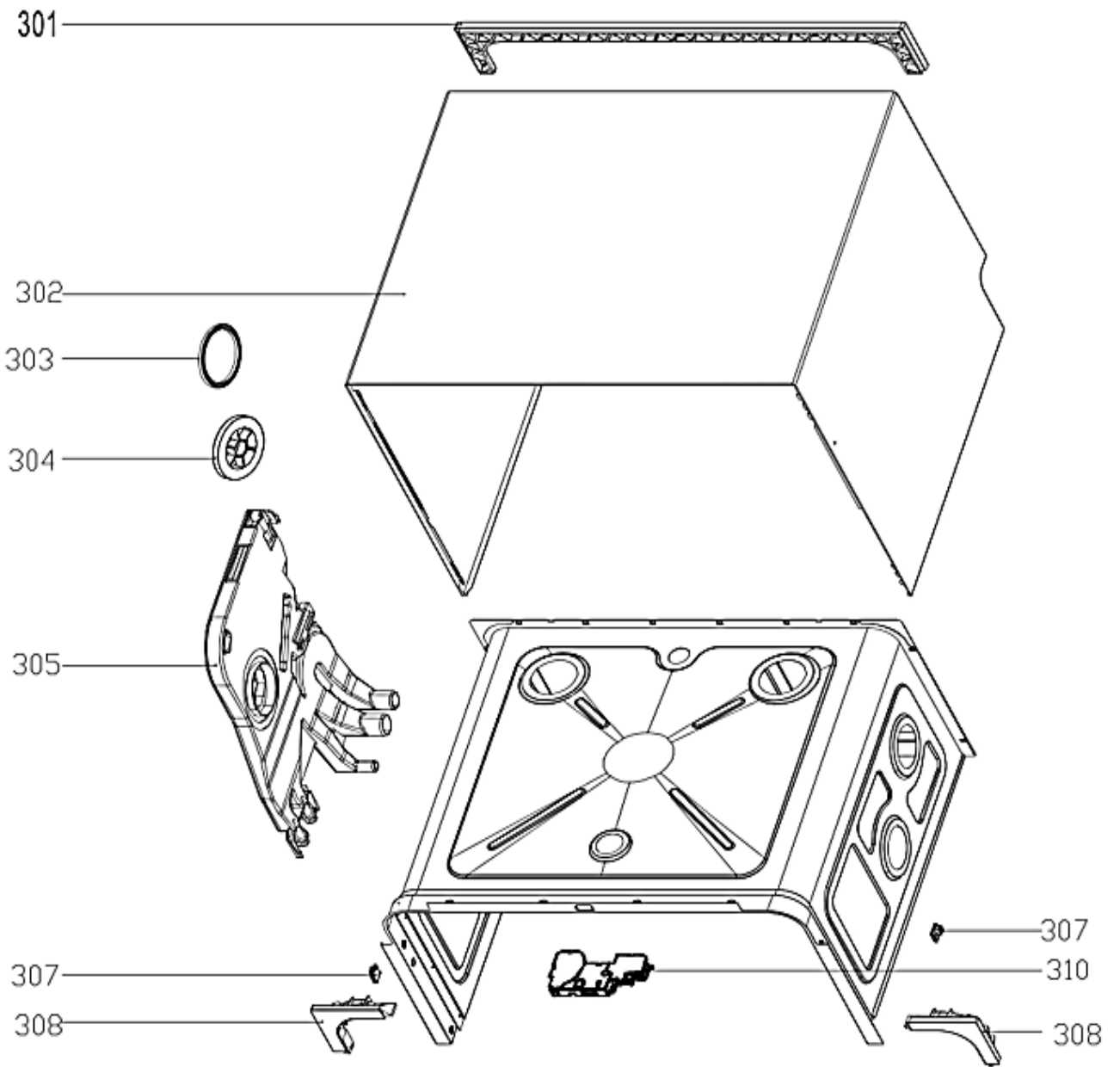
RHFIDW55S



RHFIDW55S

SEQ	Part Number	Description	Qty on Product
201	12676000000879	Sealing Strip	1
202	12276000023790	Door Lock Hook	1
203	12276000005151	Inner Door Assembly	1
204	12676000000872	Seal	1
205	12276000022451	Hinge Assembly (Left)	1
205-a	12176000009594	Guide Vane	2
205-b	12176000003618	Friction Bar Hanger	2
205-c	12276000001481	Friction Strip	2
205-d	12976000000140	Spring	2
206	12276000022450	Right Hinge Assembly	1
207	17476000007435	Dispenser	1
208	12276000001459	Dispenser Bracket	2
209	12276000002198	Hinge Join Board	1

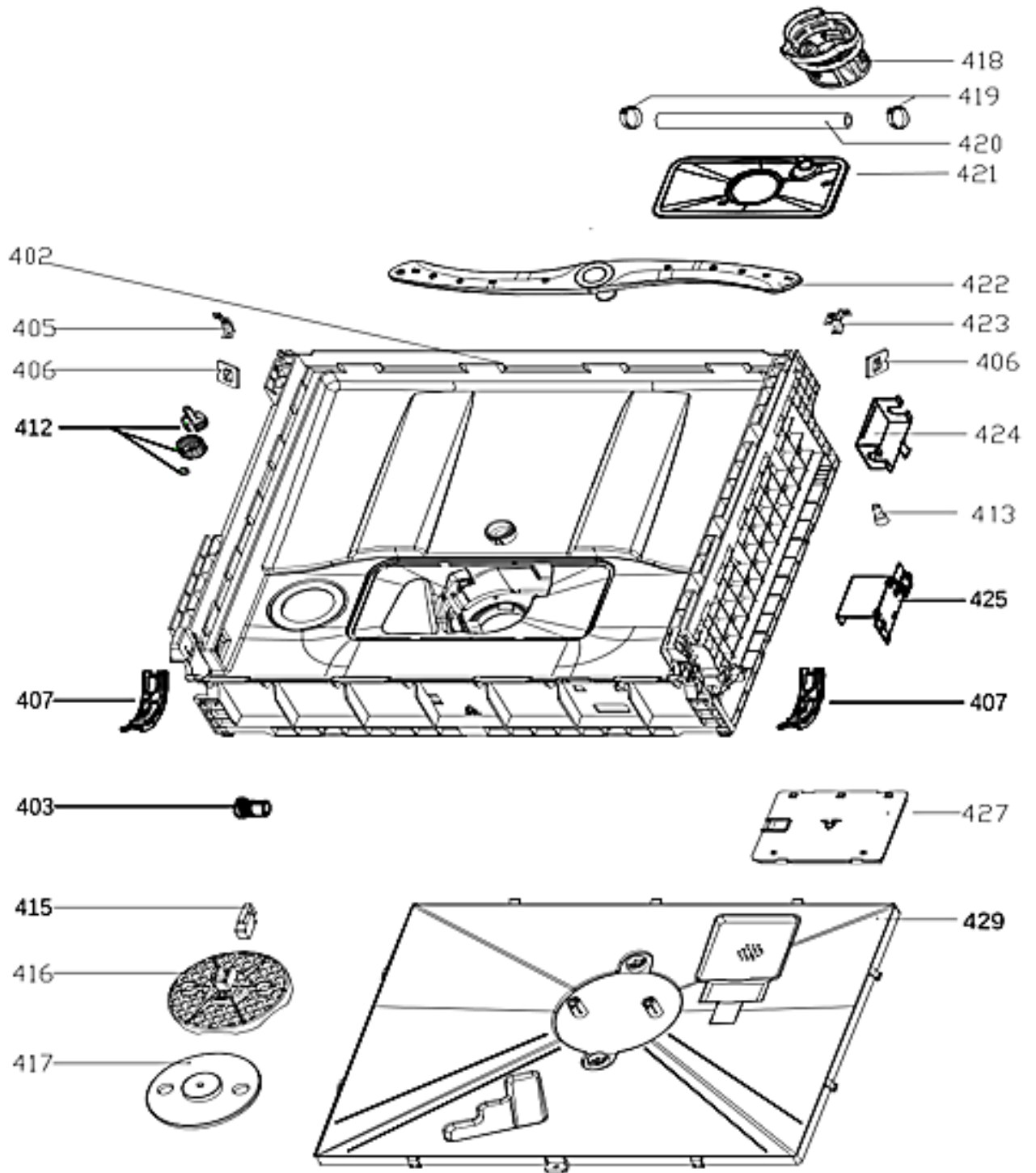
RHFIDW55S



RHFIDW55S

SEQ	Part Number	Description	Qty on Product
301	12176000003873	Upper Back Support	1
302	12276000A20676	Casing	1
303	12676000000713	Washer	1
304	12176000013663	Air Breather Nut	1
305	12176000003892	Air Breather Assembly	1
307	12176000003555	Door Correction Cap	2
308	12176000038029	Plastic Corner Plate	2
310	17476000006342	Door Switch Assembly	1

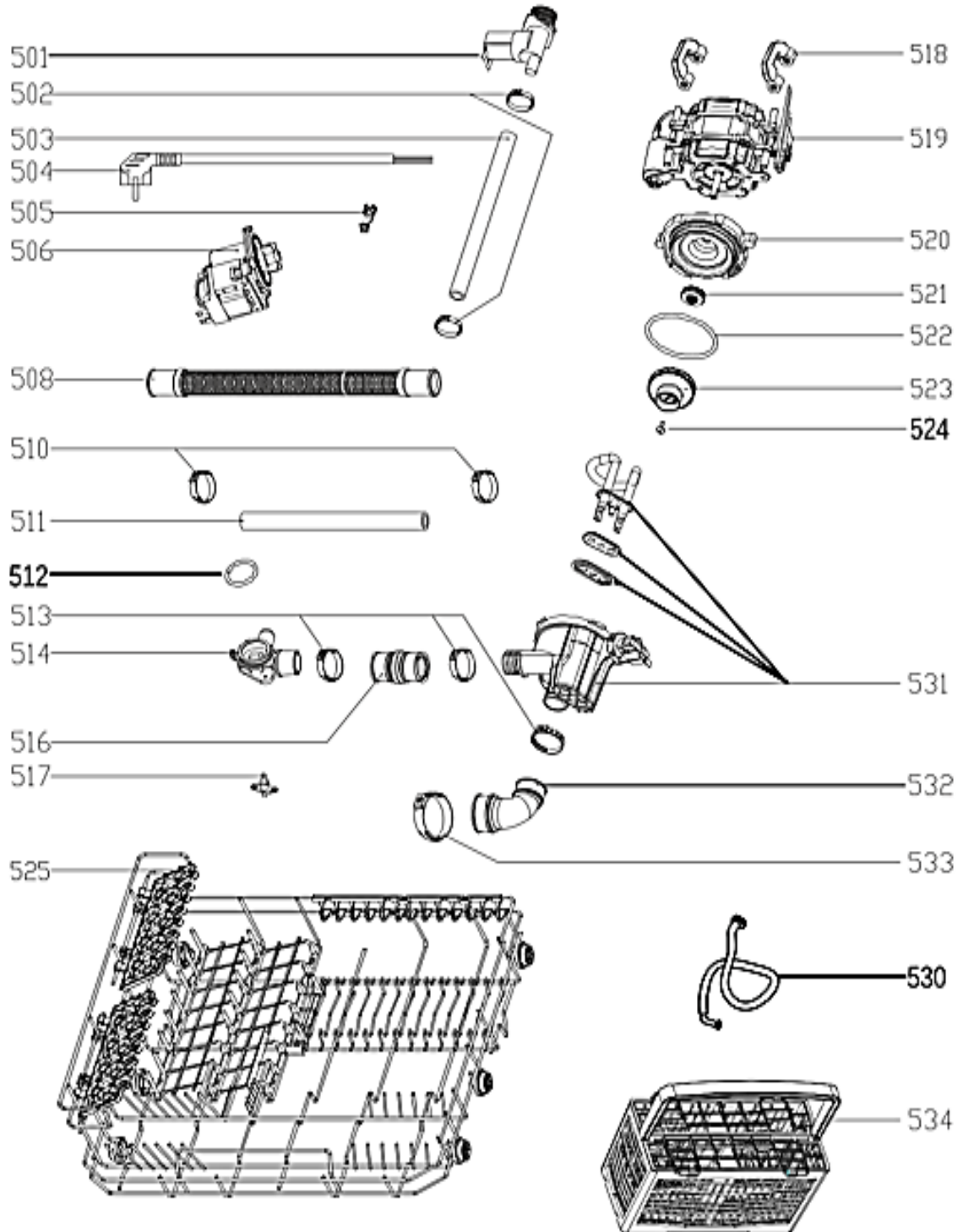
RHFIDW55S



RHFIDW55S

SEQ	Part Number	Description	Qty on Product
402	12176000003110	Lampstand Assembly	1
405	12276000001813	Stator	1
406	12276000000082	Stator	2
407	12176000009597	Guide Vane	2
408	12676000000993	Check Valve Seat Assembly	1
415	17476000001137	Microswitch	1
416	12176000003496	Float Seat	1
417	12876000000050	Float	1
418	12176000003710	Filter Assembly	1
421	12276000001496	Bottom Filter	1
422	12176000009238	Spray Arm Assembly	1
423	12276000001822	Stator	1
425	17476000007602	Closed Terminal	3
426	17176000022296	Main control panel	1
427	12176000003755	Box	1
429	12176000026592	Base Tray Cover	1

RHFIDW55S



RHFIDW55S

SEQ	Part Number	Description	Qty on Product
501	17476000001144	Water Inlet Valve	1
502	12976000004605	Clamp	1
503	12676000000639	Inlet Hose for Air Breather	1
504	17476000000143	Power Cord	1
505	12176000009490	Power Cord Clasper	1
506	17476000007443	Drain Pump	1
510	12976000004608	Clamp	2
511	12676000000963	Drain Hose	1
512	12676000000765	Seal Ring	1
513	12976000004609	Clamp	3
514	12176000008678	Pump Joint	1
516	12176000009442	Adapter Tube	1
517	17176000012008	Temperature Sensor	1
518	12676000001035	Wash Pump Holder	2
519	N.A outside production	Single Phase Motor	1
520	12176000002609	Lower Pump Case	1
521	12676000000931	Sealing Gasket	1
522	12676000000820	Seal Ring	1
523	12176000010320	Impeller Assembly	1
524	11301226000055	Screw	1
525	12976000002507	Basket Assembly	1
530	12176000024869	Water Inlet Pipe Assembly	1
531	17476000007482	Heating Tube Assembly	1
532	12176000009445	Washing Pump Inlet Pipe	1
533	12976000004604	Clamp	1
535	12176000002656	Cutlery Basket	1

RHFIDW55S