

Description: **ROBINHOOD DOUBLE DRAWER DISHWASHER**

Model Number: **RHDDW60X**



Model pictured: RHDDW60X

Actual unit may differ from image above

Contents

Congratulations!

Thank you for choosing one of our appliances. Before you use the appliance, we strongly recommend that you read through the whole user manual which provides important safety instructions and description of the product and the proper use of its functions.

To avoid the ever-present risks involved with using an electrical appliance it is vital that the oven is installed correctly and that you read the safety instructions carefully to avoid misuse and hazards. It is important that you retain these instructions and your proof of purchase along with any other important documents about this product for future reference.

Due to continual product development, Robinhood reserves the right to alter specifications or appearances without notice.

Important Safety Instructions.....	3
Appliance Details.....	4
Installation.....	5
Operating Instructions.....	14
Cleaning and Maintenance.....	30
Troubleshooting.....	34
Product Specification	36
Warranty certificate (New Zealand)	37
Warranty certificate (Australia)	38

Disposal Information

- Most of the packing materials are recyclable. Please dispose of these materials through your local recycling depot or by placing them in appropriate collection containers.
- If you wish to discard this product, please contact your local authorities and ask for the correct method of disposal.

Important Safety Instructions

When using electrical appliances, in order to reduce the risk of fire, electric shock, and/or injury to persons, basic safety precautions should always be followed, including

1. This appliance is intended to be used in household and similar applications , such as:
 - a. staff kitchen areas in shops, offices and other working environments;
 - b. farm houses;
 - c. by clients in hotels, motels and other residentialtype environments;
 - d. bed and breakfast type environments.
2. The appliance is not to be used by persons (including children) with reduced Physical, sensory or mental capabilities, or lack of experience and knowledge, unless they have been given supervision or instruction. Children being supervised not to play with the appliance.
3. The door is not left in the open position since this could present a tripping hazard.
4. When loading items to be washed:
 - a. Locate sharp items so that they are not likely to damage the door seal.
 - b. **WARNING:** Knives and other utensils with sharp points must be loaded in the basket with their points facing down or placed in a horizontal position.
5. If the supply cord is damaged, it must be replaced by the manufacturer or its service agent or a similarly qualified person in order to avoid a hazard.
6. After having installed the appliance, the switched outlet must always be in an accessible position.
7. **WARNING:** Some dishwasher detergents are strongly alkaline. They can be extremely dangerous if swallowed. Avoid contact with the skin and eyes and keep children away from the dishwasher when the door is open. Check that the detergent receptacle is empty after completion on the wash cycle.
8. Do not place any heavy objects on or stand on the door when it is open. The appliance could tip forward.
9. Check that the detergent powder is empty after completion of the wash cycle.
10. Use only detergent and rinse additives designed for automatic dishwasher.
11. Do not operate your dishwasher unless all enclosure panels are properly in place.
12. Never use soap, laundry detergent, or hand washing detergent in your dishwasher.
13. The appliance is to be connected to the water mains using new hose sets and that old hose-sets should not be reused.
14. During installation, the power supply cord must not be excessively or dangerously bent or flattened.
15. Maximum: 7 place settings top drawer.
16. Maximum: 7 place settings bottom drawer.
17. Maximum: 1 MPa inlet water pressure.
18. Minimum: 0.04 MPa inlet water pressure.

This appliance is for indoor use only, for household use only. To protect against the risk of electrical shock, do not immerse the unit, cord or plug in water or other liquid.

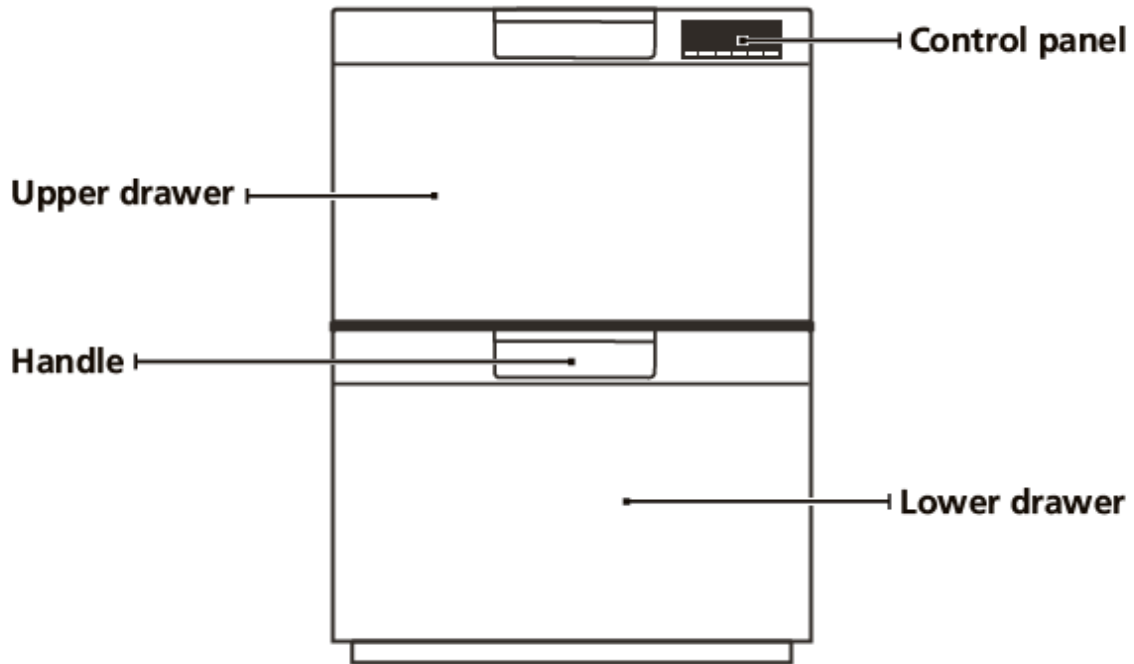
Please unplug before cleaning and maintenance the appliance .Use a soft cloth moisten with mild soap, and then use a dry cloth to wipe it again.

Appliance details

IMPORTANT:

To get the best performance from your dishwasher, read all operating instructions before using it for the first time.

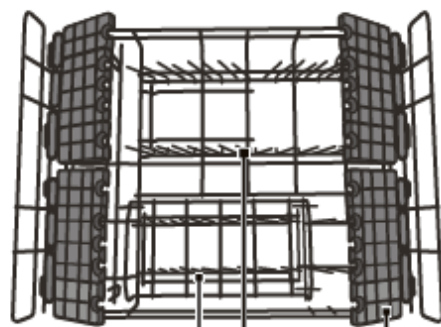
Product Overview



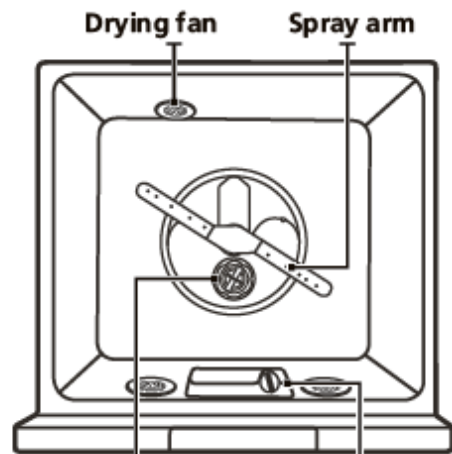
Cutlery basket



Detergent chute

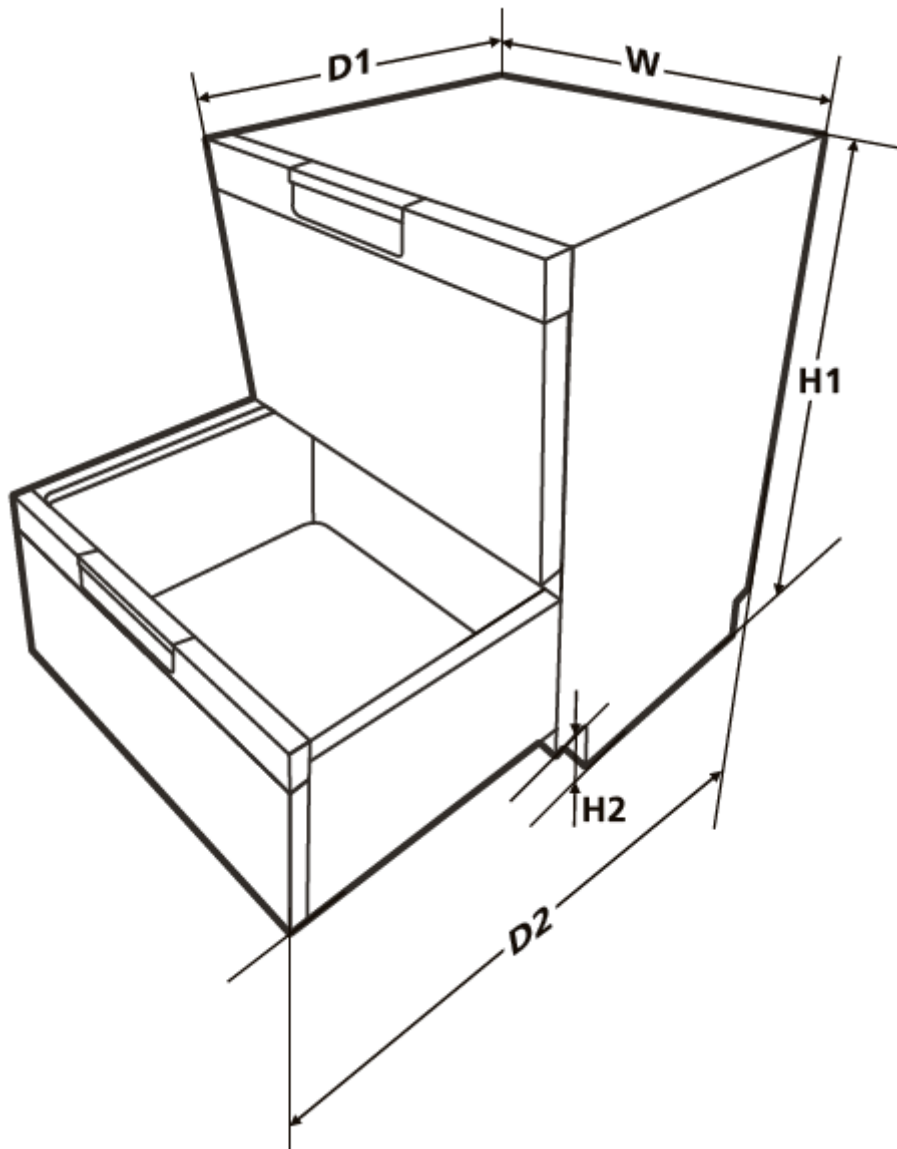


Adjustable racks
Cup rack
Basket



Drying fan
Spray arm
Filter assembly
Dispenser
Tub

Installation Instructions

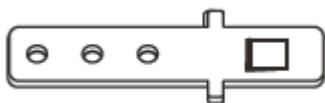


Height (H1)	820 mm
Height (H2)	85-135 (Height of kick plate)
Width (W)	595 mm
Depth (D1)	570 mm
Depth (D1)	1080 mm (Drawer open)

Installation Instructions

Before Installation

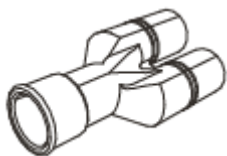
Parts supplied



Mounting brackets (4)
(for drain hose coupling)



Wire clamps (2)
(for drain hose coupling)



Drain hose coupling (1)



Drain hose support (1)



Screws (8)



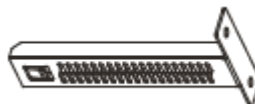
Ensure that the inner end of the tab
is protruding by one material thickness



Hose clamp (1)
(for sink waste connection)



Moisture protection tape (1)

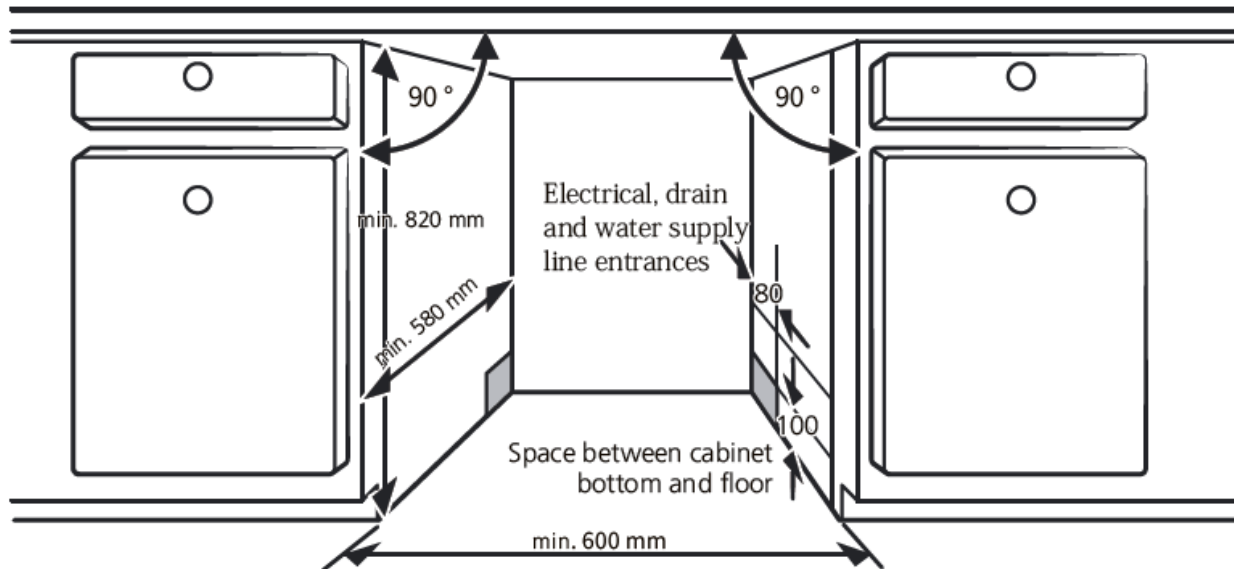


Kick plate brackets (2)
(For installing kick plate)

Installation Instructions

Prepare the cavity

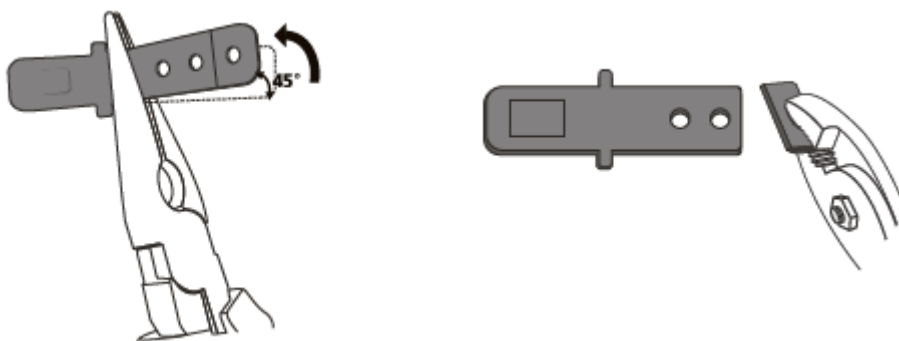
The cavity will need to conform to the dimensions in the diagram. The water supply and power point for the appliance cannot be in the dishwasher cavity. Ideally they should be in an adjacent cavity, easily accessed for isolating the product. An opening to allow the hoses and power cord to exit is required on either side of the cavity with the minimum dimensions shown.



Prepare the dishwasher

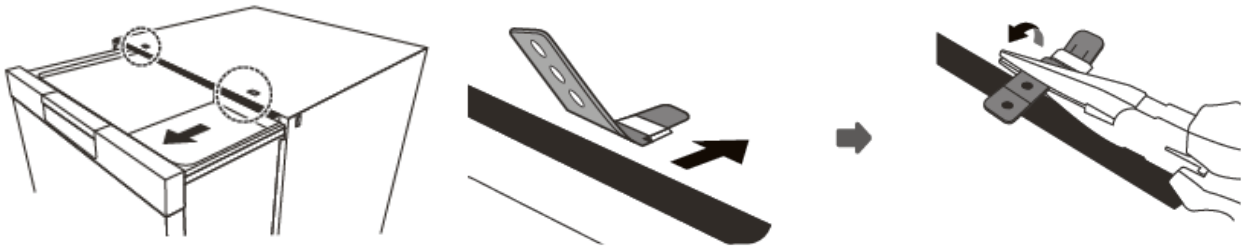
Drawer dishwashers are unstable until they are secured to their surrounding cabinetry. Study the two options for securing offered and choose one that suits your cabinetry. Fit the mounting brackets supplied to the top or sides of the product, ensuring the locking tab effectively retains the bracket in place. Adjust the tabs if needed.

With the aid of pliers pre form the bracket to match the surface it will be fitted to. Shorten the tab if needed.

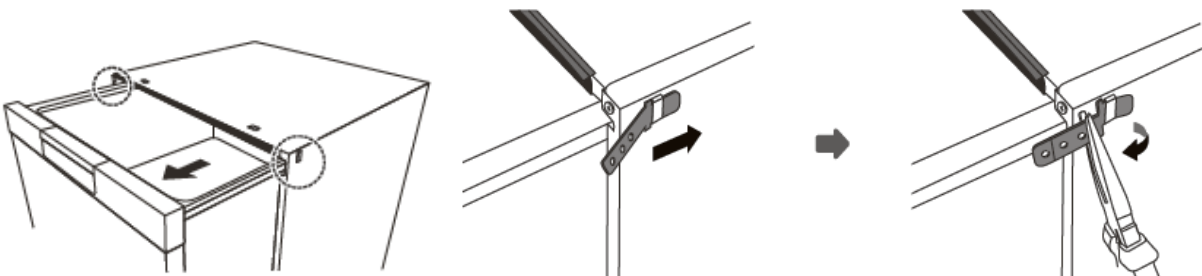


Installation Instructions

Installation method A: Attach top mounting brackets

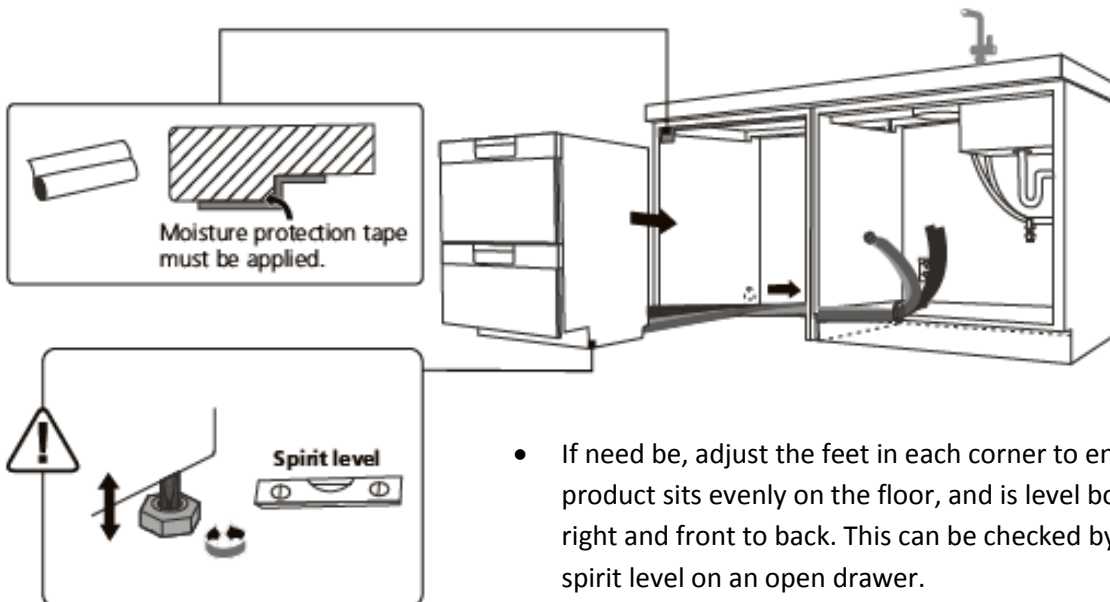


Installation method B: Attach side mounting brackets



Fitting the dishwasher

Position the dishwasher in the cavity so the drawer fronts are in line with the adjacent cabinetry. Draw the hoses and power cord through the opening as you slide the product in. This can be checked by using a spirit level on an open drawer.

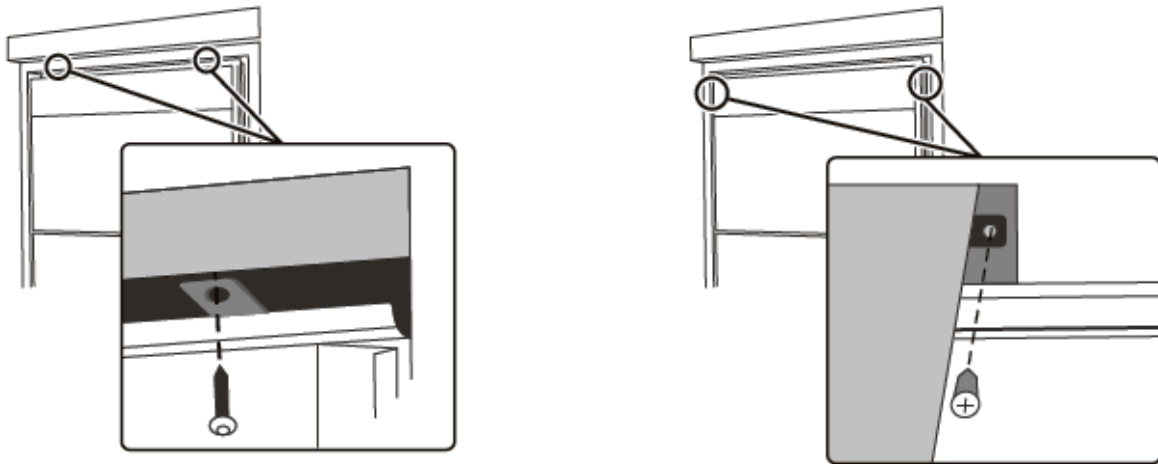


- If need be, adjust the feet in each corner to ensure the product sits evenly on the floor, and is level both left to right and front to back. This can be checked by using a spirit level on an open drawer.

Installation Instructions

Secure the product in place

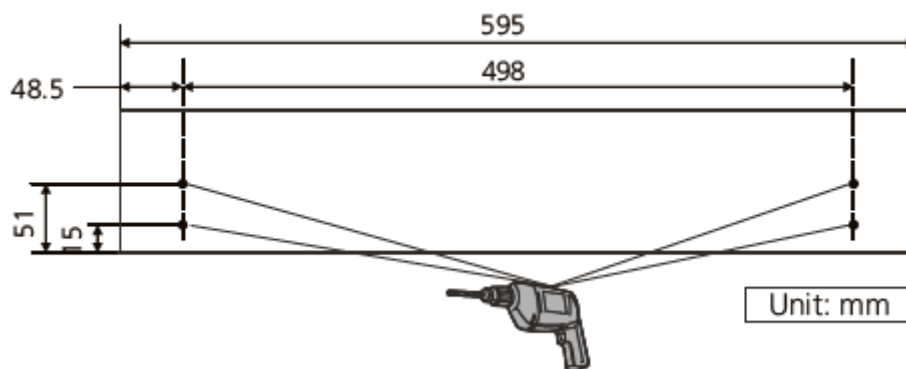
With suitable fasteners, fix the mounting brackets to the cabinetry.



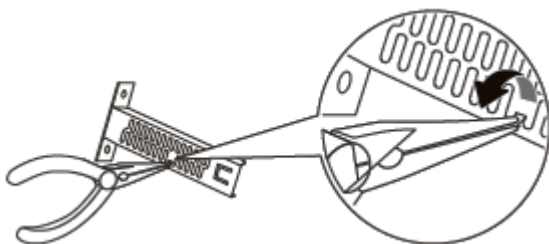
Install the kick plate

1. Prepare a kick plate as shown.

(The mounting hole position is measured by the machine at the factory state. If the height of the feet is adjusted, the position of the mounting hole should be changed according to the actual situation.)

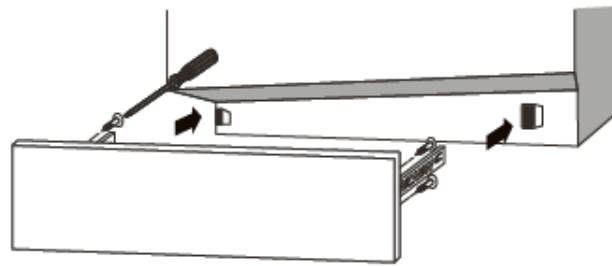


2. Set the insertion length of the kick plate and bend the bracket teeth with pliers.

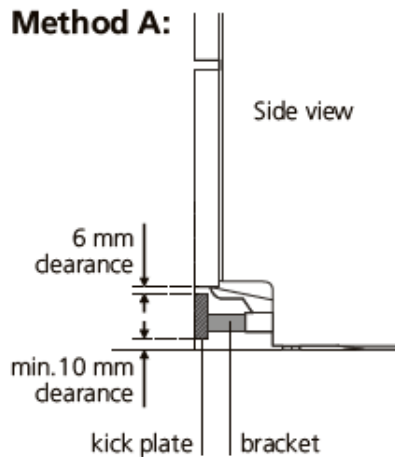


Installation Instructions

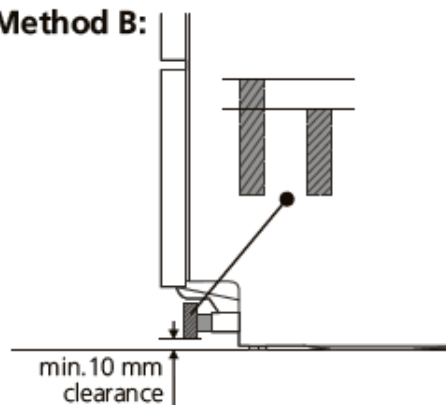
- Secure the brackets to the kick plate with screws and install the kick plate to the bottom of the dishwasher.



Method A:



Method B:



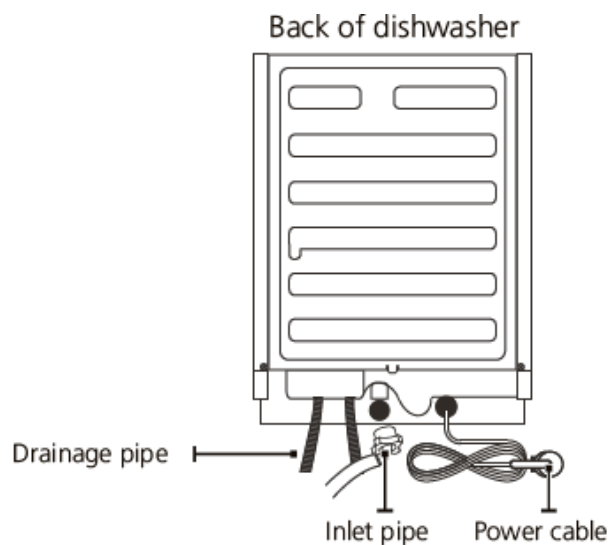
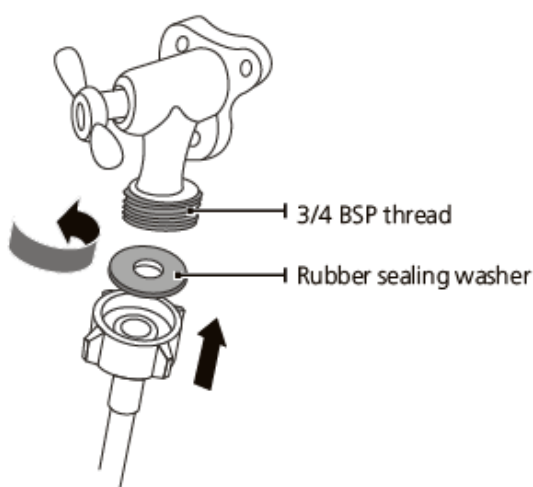
If you need to install the kick plate inside, please cut the kick plate to the appropriate height according to the actual situation, and ensure that the clearance between the bottom surface of the kick plate and the ground is at least 10 mm.

Cold Water Connection

The Inlet Hose supplied requires a 3/4 inch BSP Male fitting, suitable for a flat sealing washer.

A faucet is important for isolating the supply to the dishwasher.

Ensure that the sealing washer supplied inside the hose connection is firmly in place. Check that the initial water is clean, particularly if the supply has not been used for some time.



Installation Instructions

Connection of the Drain Hose

There are two recommended options for connecting the drain hose.

Option A: Connecting to the sink waste

This is the recommended method.

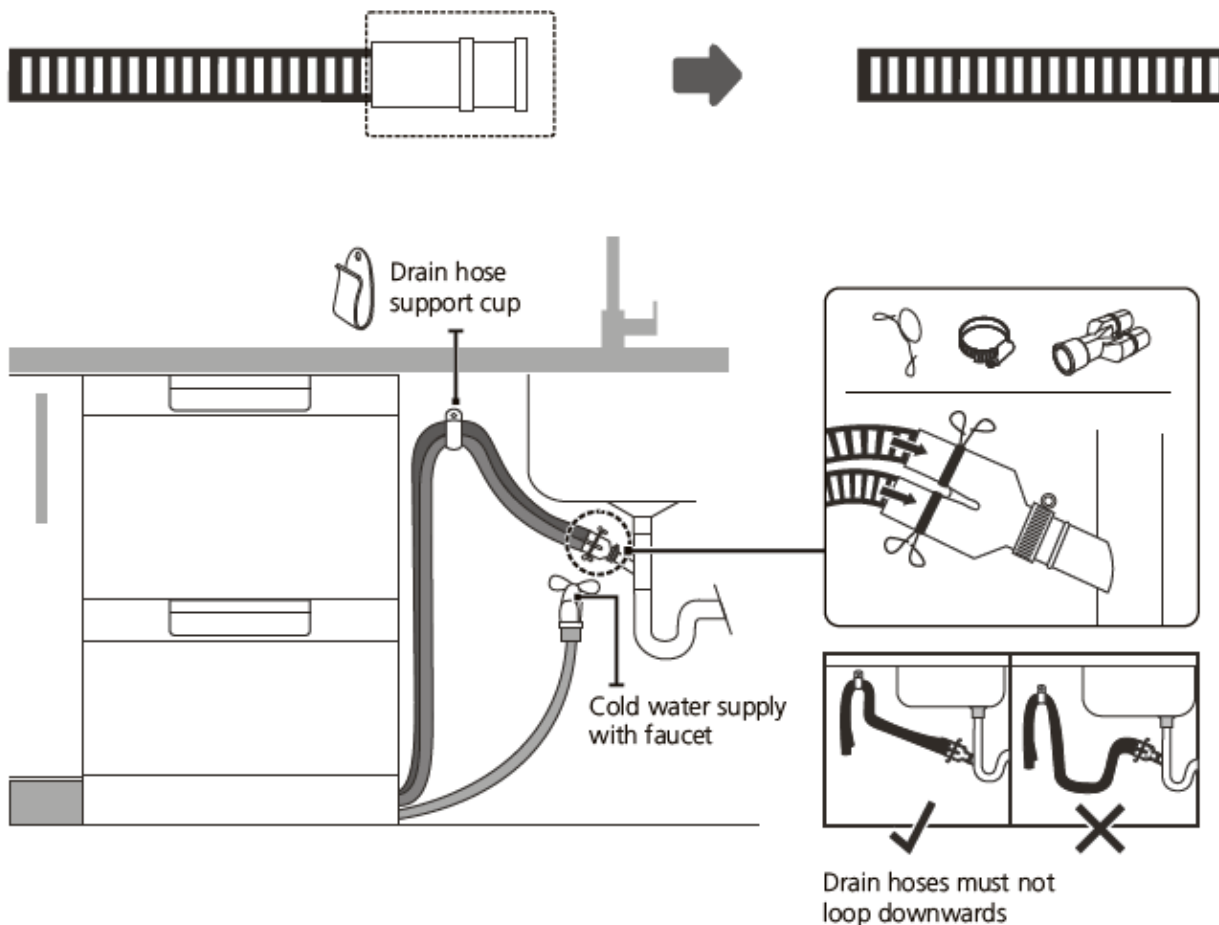
Check if your sink waste pipe has provision for this method.

Beware if it has the drain hose spigot that has never been used, it will likely be blanked off inside the spigot.

This will need careful drilling/cutting out to make it operational. Ensure that the opening you make has no ragged edges that will likely lead to debris snagging over time and causing a blockage.

First cut off the head of the drain hose. When inserting the hoses into the Y piece, wet the hose ends for ease of insertion. Insert fully. Use the hose support clip provided, install as per the illustration. Insure that the hoses have a straight run from the clip to the connection to the waste pipe.

Cut off the head of the drain hose

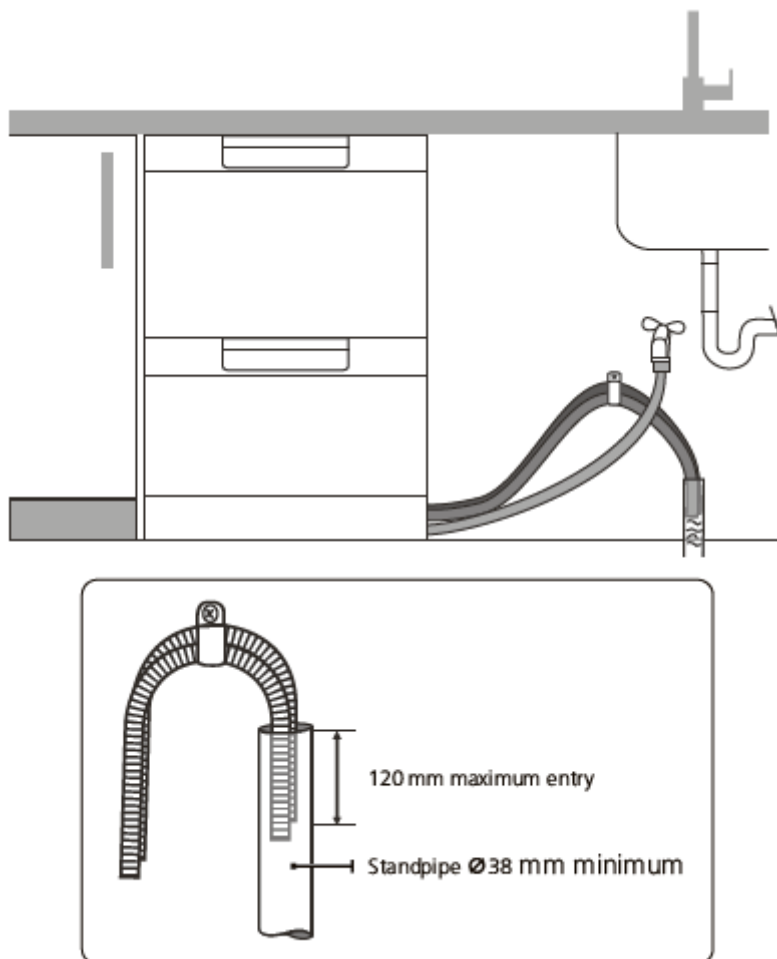


Installation Instructions

Option B: Connecting to a standpipe

The standpipe must be a minimum diameter of 38 mm (1 1/2 inch) and requires a trap for odor control.

Use the hose support clip to secure the hoses, ensure they do not enter the standpipe more than 120 mm.



NOTE:

If there is surplus length of the drain hose it can be shortened. The Inlet Hose cannot be shortened.

Whilst the very first wash cycle is operating, observe all pipe and hose connections for leaks. Checking for any trace of water on the floor in the cavity where the connections are after the first full cycle is a good practice.

Installation Instructions

Electrical Shock Hazard

Disconnect electrical power before installing dishwasher.
Failure to do so could result in death or electrical shock.

The installation of the pipes and electrical equipment should be done by professionals.

For personal safety:

Do not use an extension cord or an adapter plug with this appliance.
Do not, under any circumstances, cut or remove the earthing connection from the power cord.

Electrical requirements

Please look at the rating label to know the rating voltage and connect the dishwasher to the appropriate power supply.

Electrical connection

Ensure the voltage and frequency of the power being corresponds to those on the rating plate. Only insert the plug into an electrical socket which is earthed properly. If the electrical socket to which the appliance must be connected is not appropriate for the plug, replace the socket, rather than using an adaptors or the like as they could cause overheating and burns.

WARNING: Ensure that proper earthing exists before use.

This appliance must be earthed. In the event of a malfunction or breakdown, earthing will reduce the risk of an electric shock by providing a path of least resistance of electric current. This appliance is equipped with a cord having an equipment-earthing conductor and an earthing plug.

The plug must be plugged into an appropriate outlet that is installed and earthed in accordance with all local codes and ordinances.

Improper connection of the equipment-earthing conductor can result in the risk of an electric shock. Check with a qualified electrician or service representative if you are in doubt whether the appliance is properly earthed.

Do not modify the plug provided with the appliance; If it does not fit the outlet. Have a proper outlet installed by a qualified electrician.

WARNING: After having installed the appliance, the switched outlet must always be in an accessible position.

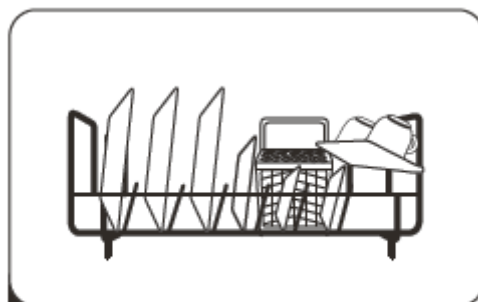
Operating Instructions

QUICK USER GUIDE

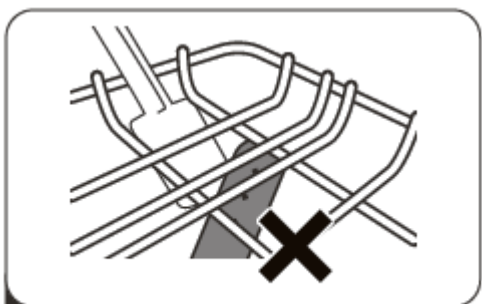
Starting A Wash



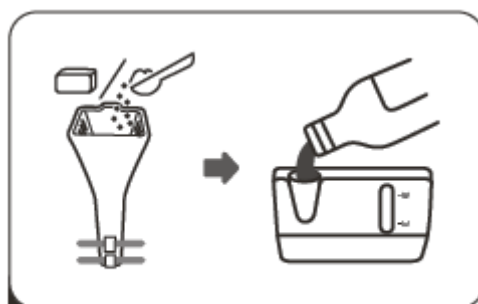
1 Discard scraps
Scrape large food particles off



2 Load dishes carefully
For better washing result, place the dishes properly avoiding any contact



3 Check spray arm
Ensure there are no items blocking



4 Add detergent and check rinse aid
If the “ * ” indicator is lit, or the rinse aid is below the minimum capacity line, please refill.



5 Set up the dishwasher function
Power the dishwasher on, then select drawer, wash program and function.



6 Start wash or set Delay start
Close the drawer and press “▶||”.

Operating Instructions

After The Wash

The drying fan may continue to run for a set time after that the washing cycle is over or until the drawer is open.

For best drying result, we recommend remove unloading the dishes when they have cooled down.

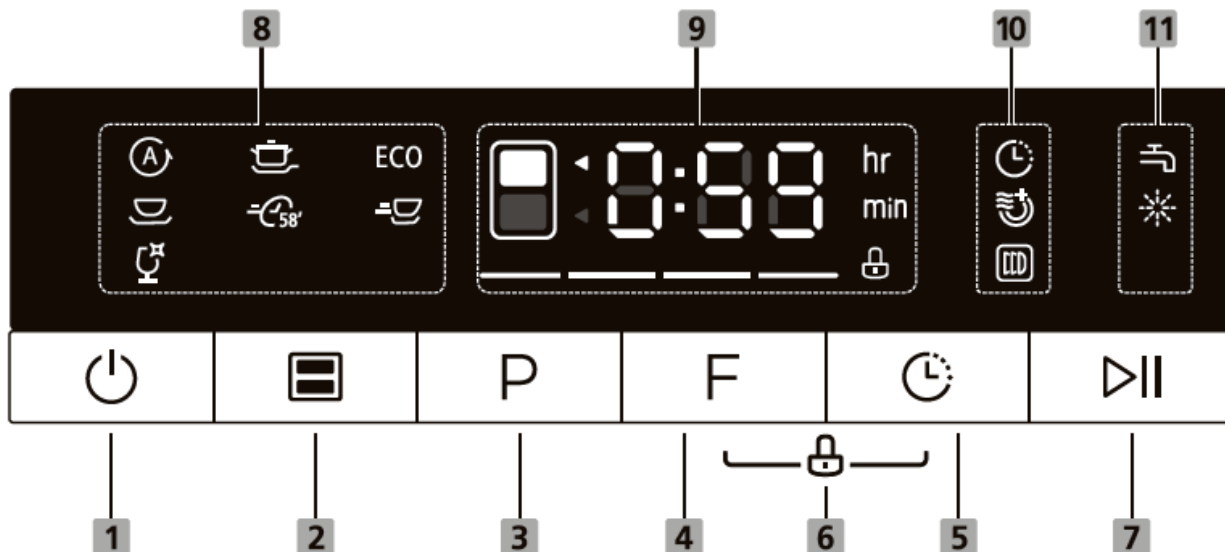
NOTE:

- Reviewing the section on TROUBLESHOOTING TIPS will help you solve some common problems by yourself.
- If you cannot solve the problems by yourself, contact customer service or a professional technician.
- The manufacturer, following a policy of constant development and updating of the product, may make modifications without giving prior notice.

If lost or out-of-date, a replacement copy can be found at www.omegapliances.com.au. or responsible vendor.

Operating Instructions

Control Panel









Operation (Button)

1 Power	Press this button to turn on your dishwasher, the screen will light up.
2 Drawer selector	Press the button to select either upper drawer or lower drawer loaded, the corresponding indicator will light up.
3 Program selector	Press this button to select the appropriate washing program, the selected program indicator will light up.
4 Option selector	Press the button to select an option, corresponding indicator will be lit. Press and hold the Option button for 3 seconds in standby mode to run the Dry & Fresh option immediately.
5 Delay start	Press the button to increase the delay start time. Delay a cycle for up to 24 hours in one-hour increments. After setting the delay time, press the Start/Pause button to start.
6 Child lock	This option allows you to lock the buttons on the control panel, so children cannot accidentally start the dishwasher by pressing the buttons on the panel. Only the Power button and Drawer selector button remain active. To lock or unlock the buttons on the control panel, press and hold the Option button+ Delay button for 3 seconds simultaneously.
7 Start/Pause	To start the selected washing program or pause it when the dishwasher is operating. When the dishwasher is running, if you need to open the drawer, please press the "Start/Pause" button first and wait a few seconds, then open the door slowly.








Operating Instructions

Display





8 Washing program	<p> Auto Auto sensing wash, lightly, or heavily soiled crockery, with or without dried-on food.</p> <p> Intensive For the heaviest soiled crockery, such as pots, pans, casserole dishes and dishes that have been sitting with dried food on them for some time.</p> <p>ECO ECO For normally soiled loads, such as pots, plates, glasses and lightly soiled pans, standard everyday cycle.</p> <p> Heavy For heavily soiled loads, such as pots, plates, glasses and lightly soiled pans.</p> <p> Wash&Dry For lightly soiled plates and pans that need a quick wash.</p> <p> Super Fast A shorter wash for lightly soiled loads that do not need drying.</p> <p> Delicate For fragile items such as fine china and glassware.</p>
9 Screen	Displays the operating drawer, time reminding, delay time, error code and child lock indication.

Operating Instructions

Display

<p>10 Option</p>	<p> Delay Time If the delay time is set, the corresponding indicator will be lit.</p> <p> Extra Dry For better drying result. (It can only be used with Intensive, ECO, Heavy, Wash&Dry, Delicate)</p> <p> Dry&Fresh For removing bad odor and moisture even when dishes are left longer time in the baskets. A) when selected this option will start to run at the end of the washing cycle, its indicator will blink. B) Press and hold the Option button for 3s, when dishwasher is on, for let the option run immediately.</p>
<p>11 Warning</p>	<p> Water Supply Failure If the “” indicator is lit, it means that no water is reaching the dishwasher.</p> <p> Rinse Aid If the “” indicator is lit, it means the dishwasher is low on dishwasher rinse aid and requires refilling.</p>

Washing progress

Main-wash	
Rinse	
Drying	
End	

Operating Instructions

Before using your dishwasher:



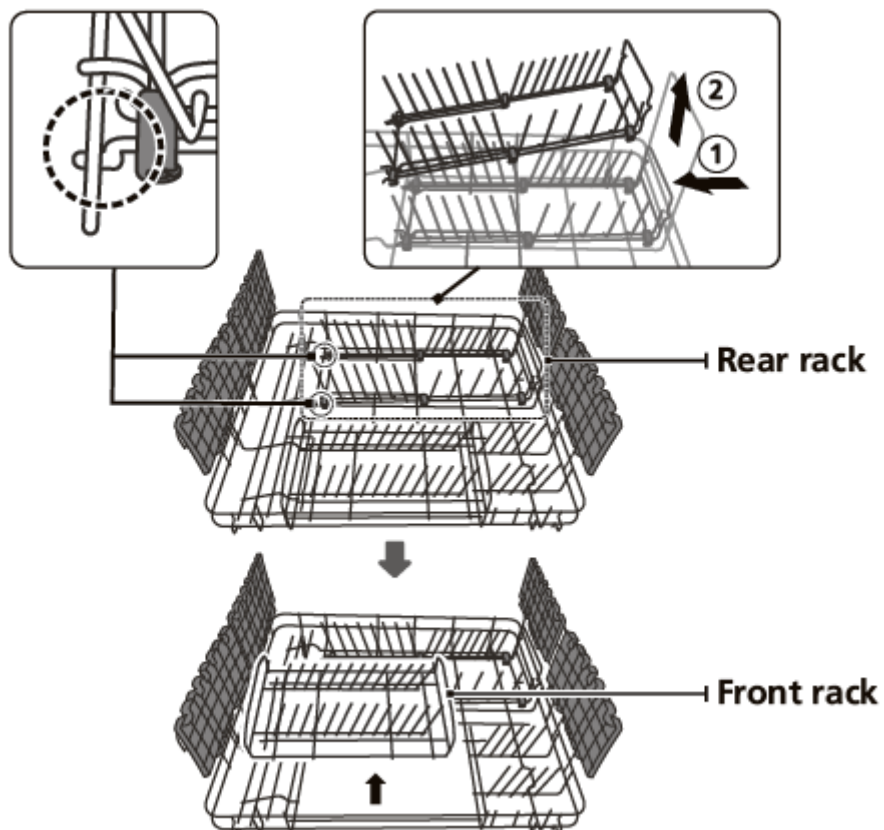
1. Remove the larger residue from the wash items
2. Load the basket
3. Load the detergent
4. Fill the rinse aid dispenser

Basket Use Tips

There are many ways to adjust the loading pattern of the basket.

Removing the rear rack

The rear rack can be removed to create a flat surface for such things as pots and pans.



Operating Instructions

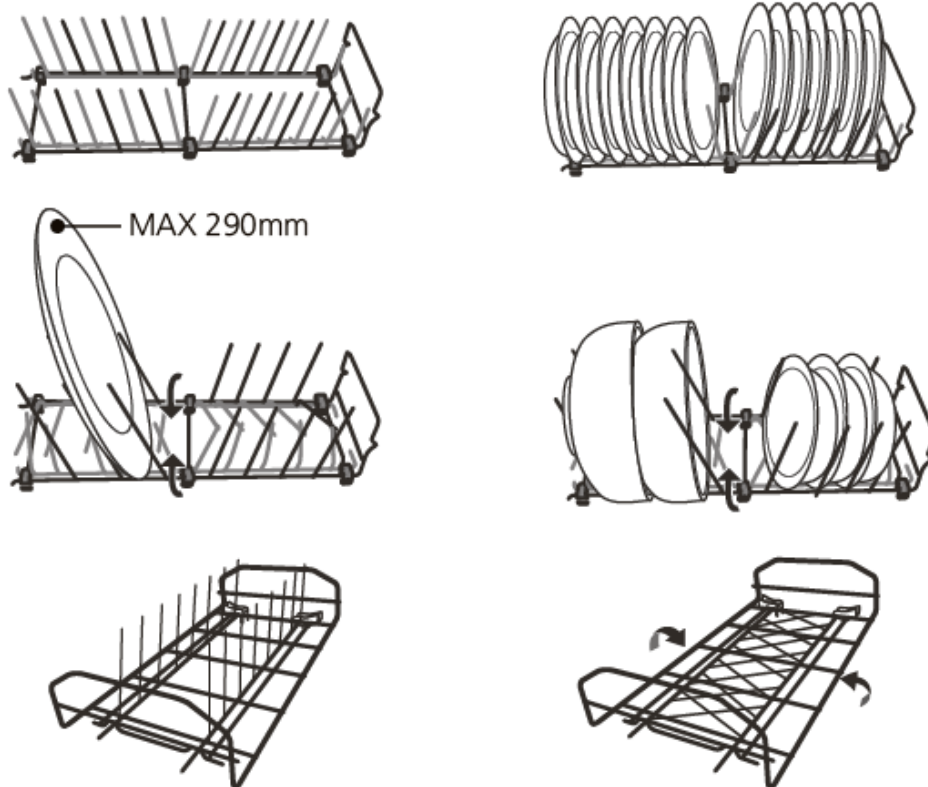
Folding down the pins

The spacing between the pins can be increased by folding them down. This will help the loading of large bowls and deep pots and pans. Folding down the pins, the maximum size 290mm plates can be loaded.

The pins on the front rack can also be folded down to create a flat space.

Do not load the basket with the front rack removed. It is removable only to allow access to the filters for servicing. If removed, there is a high risk that items could fall in the open space and damage the rotating spray arm.

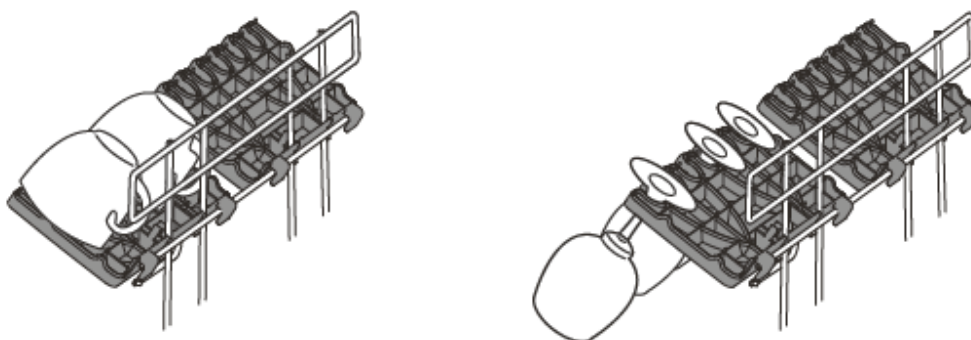
If returning the rear rack, be sure to firmly set it into its correct place.



Using the cup racks

Cups, glasses and large utensils fit on the cup racks.

The fronts of the racks are designed to secure wine glasses.

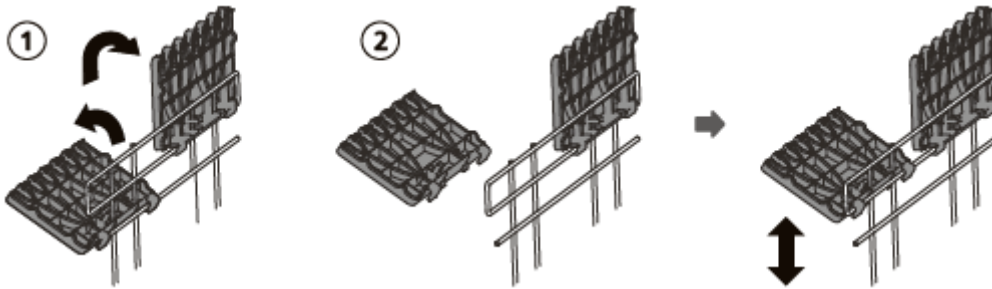


Operating Instructions

Adjustable the cup racks

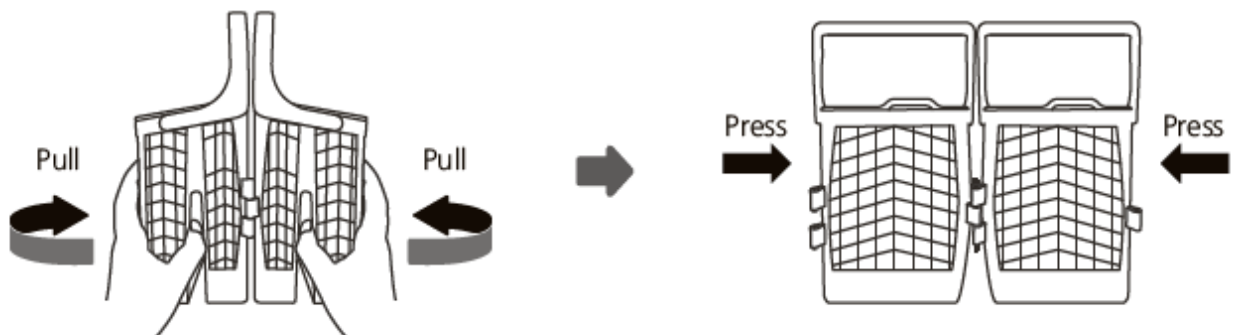
You can adjust these cup racks to different heights independently:

1. Fold the cup racks if you need more space.
2. Remove the cup holder and installation an iron wire of different height to adjust the height of the cupholder.



Two positions cutlery basket

The cutlery basket is made of two fold-able halves. It is possible to use either open or folded, as pictured below.



You can use the cutlery basket with the cover open.



Operating Instructions

Preparing and Loading Dishes

- Consider buying utensils which are identified as dishwasher-proof.
- For delicate items, select a program with the lowest possible temperature.
- To prevent damage, do not take glass and cutlery out of the dishwasher immediately after the program has ended.

For washing the following cutlery/dishes

Are not suitable

- Cutlery with wooden, horn china or mother-of-pearl handles
- Plastic items that are not heat resistant
- Older cutlery with glued parts that are not temperature resistant
- Bonded cutlery items or dishes
- Pewter or copper items
- Crystal glass
- Steel items subject to rusting
- Wooden platters
- Items made from synthetic fibres

Are of limited suitability

- Some types of glasses can become dull after a large number of washes
- Silver and aluminum parts have a tendency to discolor during washing
- Glazed patterns may fade if machine washed frequently

Recommendations for loading the dishwasher

Scrape off any large amounts of leftover food. Soften remnants of burnt food in pans. It is not necessary to rinse the dishes under running water.

For best performance remove follow these loading guidelines.

Place objects in the dishwasher in the following way:

- Items such as cups, glasses, pots/pans, etc. are faced downwards.
- Curved items, or ones with recesses, should be loaded on a slant so that water can run off.
- All utensils are stacked securely and cannot tip over.
- Be sure that no wash items protrude through the basket base where they will likely damage the spray arm.
- Load hollow items such as cups, glasses, pans etc. With the opening facing downwards so that water cannot collect in the item.
- Dishes and items of cutlery must not lie inside one another, or cover each other.

Operating Instructions

- To avoid damage, glasses should not touch one another.
- Please do not overload your dishwasher. This is important for good results and for reasonable consumption of energy.

Note: Very small items should not be washed in the dishwasher as they could easily fall through the basket.



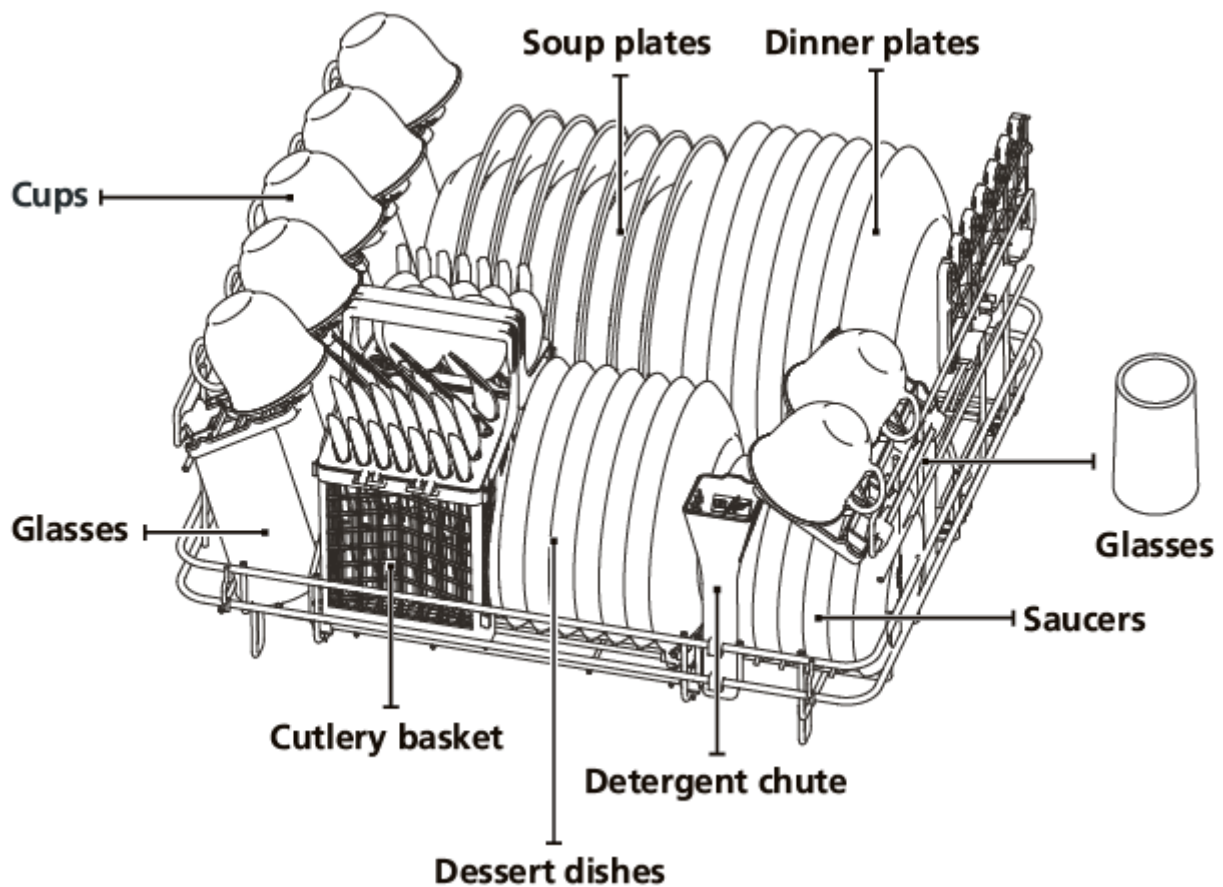
Caution

Items will be hot ! To prevent damage, do not take glass and cutlery out of the dishwasher for around 15 minutes after the program has ended.

Loading the dishwasher

The loading pattern in the illustration is recommended for the design of basket. It is the pattern used for the Standards Wash Test (AS/NZS 2007.1).

Note: Cups and glasses face downwards. Plates face the back of each other, as do side plates, soup plates and saucers.



Operating Instructions


Loading the cutlery basket

You can place each knife, spoon, or fork separately into the spoon stands in the basket's covers to prevent chipping and discoloration.

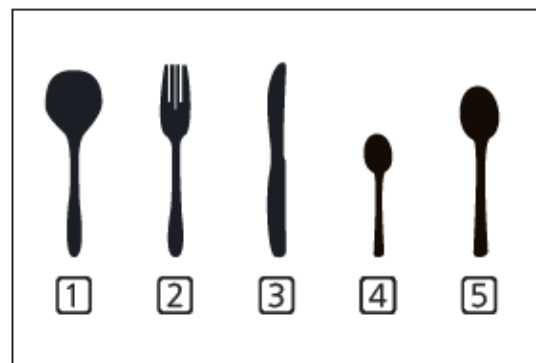
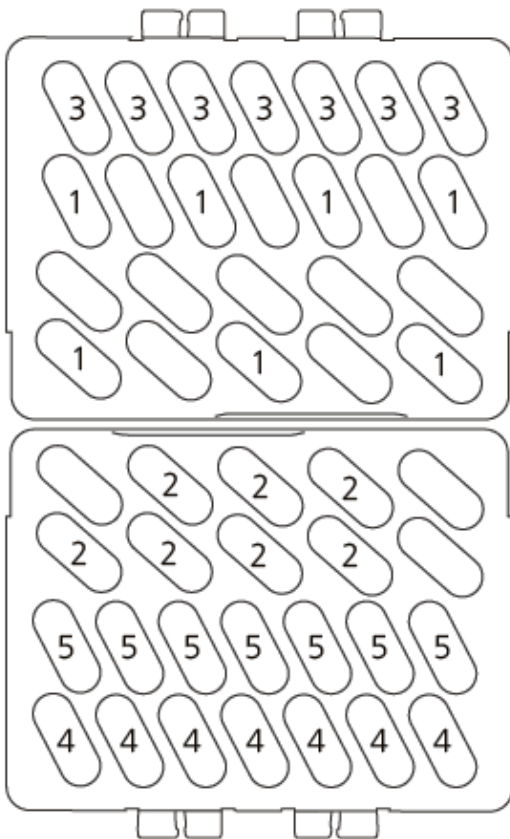
Below image demonstrates the suggested placement of cutlery items.

Match the numbers in the diagram to the numbers in the list of cutlery items above.

⚠ WARNING



Always load sharp utensils with the sharp end pointing down!
Do not let any item extend through the bottom.



Number	Item
1	Soup spoons
2	Forks
3	Knives
4	Teaspoons
5	Dessert spoons

Settings for Standards Wash Test AS/NZS 2007.1 Capacity: 7 place settings per drawer

Wash Program: ECO

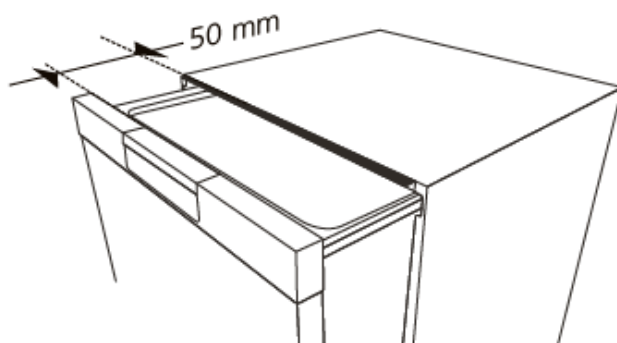
Detergent quantity: 23.75g

Rinse Aid setting: D3

Operating Instructions

To shorten the drying time, the drawer can be opened approx. 50mm at the end of the wash cycle.

This however is not compulsory. The wash load will dry completely given the drying time suggested in the Wash Cycle table.



Adding Detergent

The chemicals in Dishwasher Detergent are necessary to remove, dissolve and help dispose of all the soils from the wash load.

Only specific Electric Dishwasher Detergent is capable of doing this.

⚠ WARNING

- Dishwasher detergent is dangerous. Avoid skin and eye contact
- Keep the dishwasher detergent out of reach of children.
- Keep it sealed in a dry place.

Add the recommended quantity of detergent to the detergent chute on the basket.



Adding Rinse Aid

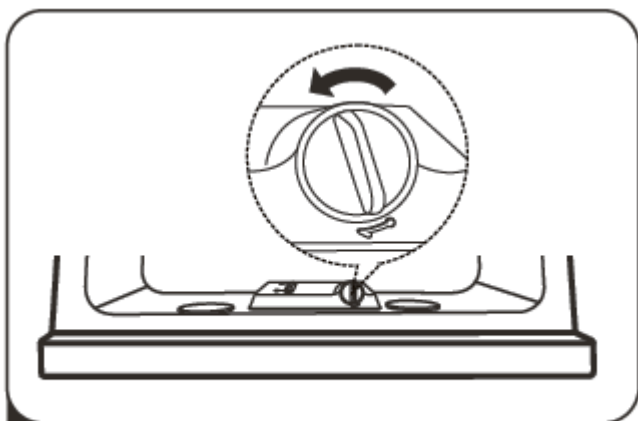
Rinse Aid is added during the final rinse to assist the wash load drying and to prevent spots and streaks on glassware.

For guaranteed excellent drying results, always use a branded Rinse Aid. No other products are suitable.

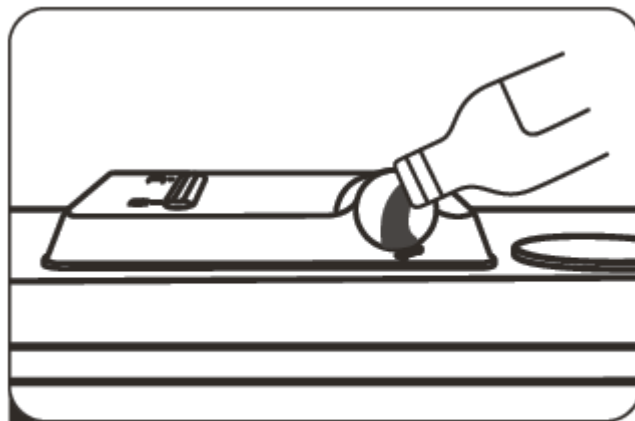
Filling the Rinse Aid Dispenser

Refill the dispenser when either the level is at the low level mark by the indicator window, or when the display indicates the rinse aid symbol. ✨

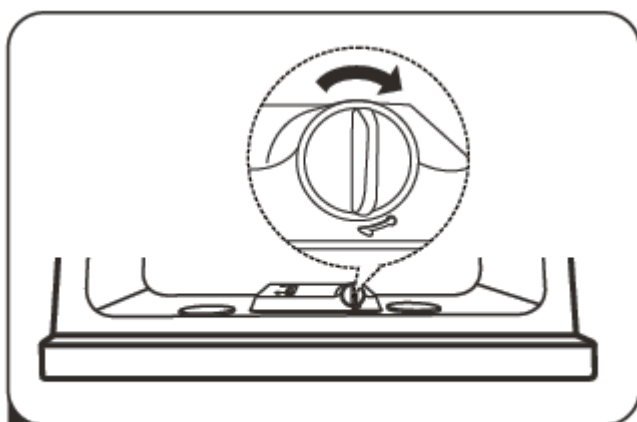
Operating Instructions



- 1** Undo the plug by turning it anticlockwise.



- 2** Fill the dispenser slowly to avoid spillage. Each dispenser will take 300ml from empty.



- 3** Close the plug by rotating it clockwise.

NOTE:

It is important to clean up any spills rinse aid, as it will cause excessive foaming in the wash cycle.

Adjusting the rinse aid dispenser

To achieve the best drying result, with the least amount of rinse aid being used, the dispenser can be adjusted by the user.

There are 5 levels of adjustment, the factory setting is D3. This setting will provide excellent drying results.

If the dishes are not drying properly or with cloudy stains, the setting of D4 or D5 will be required.






If there are sticky whitish stains on your dishes or a bluish film on glassware or knife blades, the dispenser can be set back to either D2 or D1 to reduce any unnecessary waste of rinse aid, whilst maintaining excellent drying results. Follow the steps below:

1. Switch on the dishwasher by pressing the Power button.
2. Within 60 seconds after step 1, press the Start/Pause button more than 5 seconds, the rinse aid indication blinks.
3. Press the Start/Pause button to select the proper set according to your using habits, the sets will change in the following sequence: D1->D2->D3->D4->D5->D1.
4. Without any operations in 5 second, or exit the set mode through the power button, the new setting is active.


Operating Instructions

Wash Cycle Table

The table below shows which programs are best for the levels of food residue on them and how much detergent is needed. It also shows various information about the programs.

Program	Water temp (°C)	Detergent required grams or tablets	Running Time (min)	Drying Time (min)	Energy usage (Kwh)	Water usage (L)
 Auto	Auto wash (45-50°C) Rinse Rinse (50°C) Auto Rinse (60-70°C) Drying	$\frac{23.75g}{1 \text{ piece}}$	150	40	0.5-1	6-9
 Intensive	Wash (65°C) Rinse Rinse (45°C) Rinse (65°C) Drying	$\frac{23.75g}{1 \text{ piece}}$	140	35	0.85	11.5
ECO <small>*AS/NZS 2007.1)</small>	Wash(45°C) Rinse Rinse Rinse(45°C) Drying	$\frac{23.75g}{1 \text{ piece}}$	170	33	0.367	6.6
 Heavy	Wash(60°C) Rinse Rinse Rinse(60°C) Drying	$\frac{23.75g}{1 \text{ piece}}$	120	35	0.6	8
 Wash&Dry	Wash (55°C) Rinse (55°C) Rinse (55°C) Rinse (55°C) Drying	$\frac{23.75g}{1 \text{ piece}}$	58	17	0.55	11
 Super Fast	Wash (50°C) Rinse (55°C)	$\frac{23.75g}{1 \text{ piece}}$	29	0	0.33	4

Operating Instructions

Program	Water temp (°C)	Detergent required grams or tablets	Running Time (min)	Drying Time (min)	Energy usage (Kwh)	Water usage (L)
 Delicate	Wash (50°C)					
	Rinse					
	Rinse	23.75g	85	25	0.45	8.5
	Rinse (55°C)	1 piece				
	Drying					

Note:

AS/NZS 2007.1: This program is the test cycle. The information for comparability test in accordance with AS/NZS 2007.1.

Select A Drawer

1. Close the drawer; press the Power button to switch on the machine.
2. Press the Drawer button to choose a drawer. After selecting a drawer, the response light will turn on, and the corresponding drawer program, reservation, and other information are displayed.

Note:


After selecting the drawer, all other buttons (except the power button) operate only for the current drawer.

Starting A Cycle Wash

1. After selecting the drawer, press the Program button to select the required program.
2. Press the Start/Pause button, the dishwasher will start its cycle.

NOTE:

- When the current drawer is running, you can press the drawer selection key to switch to another drawer, and set and start the operation. Switch to the running drawer after switching to the non-operating drawer after 5 seconds.

If two drawers are running at the same time,  both drawer indicators light up.

This icon "◀" indicates the currently displayed drawer.

- After that the washing cycle of one drawer is ended, meanwhile another cycle in the other basket is still running, the display will continue to show the information above the finished cycle for 5 minutes. After that the information shown will be the one of the currently running cycle.

Operating Instructions

Changing The Program Once Started

A wash program can only be changed if it has not been running long. You need to ensure that the wash water is still present and it has not drained out and began rinsing. Detergent will have to be re added if there is no wash water present. Here are the instructions to change the program:

1. Press the Start/Pause button to pause the washing.
2. Press the Program button for more than 3 seconds, the program will be cancelled.
3. Press the Program button to select the desired program.
4. Press the Start/Pause button, the dishwasher will start.

Adding Items While A Wash Is In Progress

You can add items after the wash program has begun.

However, if the machine no longer in the wash cycle, anything added may not be well washed, washed properly, and result in food particles being transferred to already washed items. Check that the machine is not rinsing.

Follow these instructions:

1. Press the Start/Pause button to pause the washing.
2. Wait 5 seconds then open the drawer.
3. Add the extra items.
4. Close the drawer.

CAUTION



It is dangerous to open the drawer mid-cycle, as hot steam may scald you.

NOTE:

- When the dishwasher is operating, do not force open the drawer. Press the Start/Pause button, and wait a few seconds before opening the drawer.
- If the electric power to the dishwasher is interrupted during a wash program, it will continue to the end of the program when the power is restored.

Cleaning and Maintenance

Keeping your dishwasher clean improves its performance, reduces unnecessary repairs, and lengthens its life.

WARNING: Disconnect the dishwasher from the power supply (unplug or switch off at the circuit breaker) and allow all its parts to cool before any cleaning or maintenance.

External Care

It's best to clean spills on the outside of your dishwasher as they occur. Use a soft, damp cloth on the control panel to gently wipe away spills and dust. Do not use benzene, wax, thinner, chlorine bleach, or alcohol. These materials may discolor the inner walls and cause stains. Do not clean the dishwasher by sprinkling water over it and avoid letting water come into contact with any of the electrical parts.

Note:

If your dishwasher has a stainless steel door panel, you can clean it with a stainless steel cleaner for home appliances or a similar product using a clean, soft cloth.

Internal Care

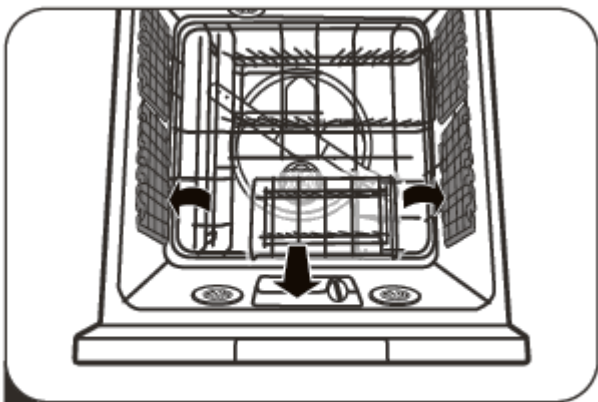
Filtering system

The filtering system in the base of the wash cabinet traps coarse debris from the washing cycle. The collected coarse debris may cause the filters to clog. Check the condition of the filters regularly and clean them if necessary under running water. Follow the steps below to clean the filters.

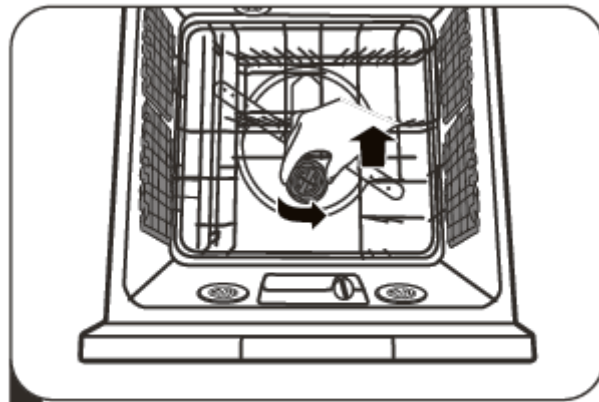
Caution

- Do not over tighten the filters. Put the filters back in sequence securely, otherwise coarse debris could get into the system and cause a blockage.
- NEVER use the dishwasher without filters in place. Improper replacement of the filter may reduce the performance level of the appliance and damage dishes and utensils.

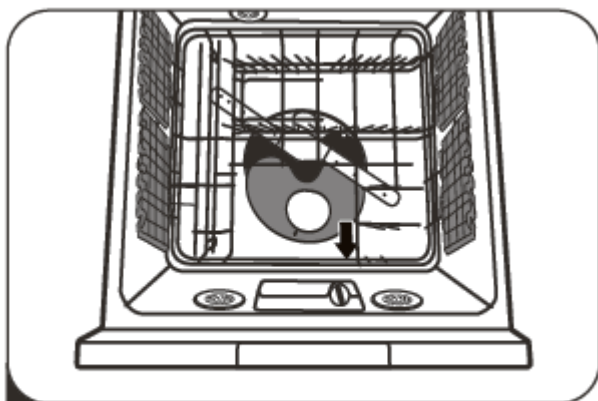
Cleaning and Maintenance



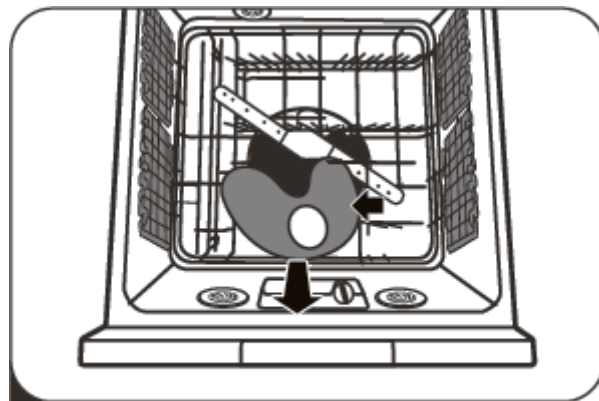
1 Lift up the handles and remove the plate support



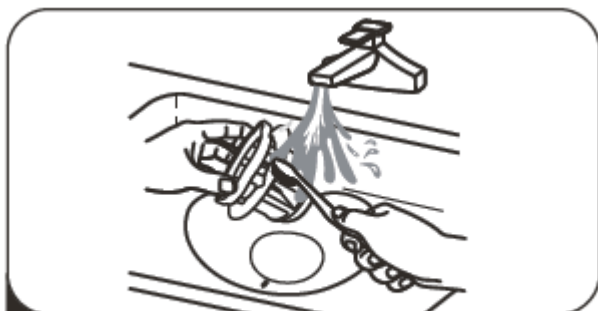
2 Rotate the Cylinder filter counter-clockwise. Lift the Cylinder filter upwards and out of under the basket.



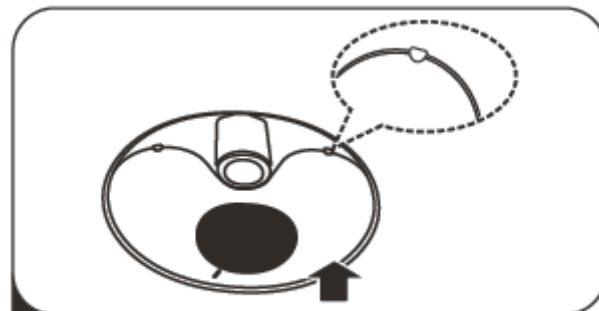
3 Pull forward the Fine filter.



4 Tilt the Fine filter and remove it from under the basket.

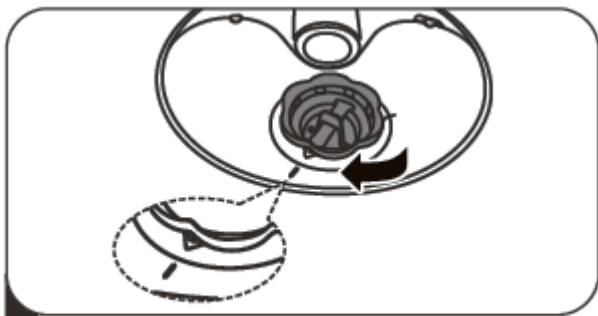


5 Rinse with running water. For a more thorough clean, use a soft cleaning brush.



6 Reinstall the filters in reverse order making sure the Fine filter locks into place.

Cleaning and Maintenance



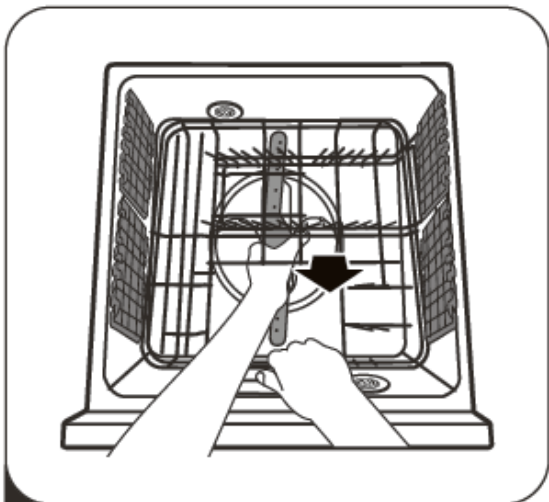
7

Rotate the Cylinder filter clockwise to the close arrow.

Spray arms

If you are in a hard water area, it is necessary to clean the spray arms regularly for hard water chemicals will clog the spray arm jets and bearings.

To clean the spray arms, follow the instructions below:



1

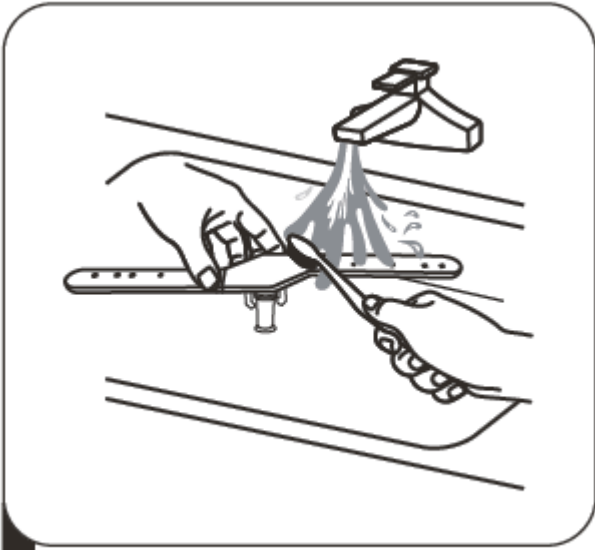
With one hand raise the basket slightly, and with the other hand reach under the basket. Hold the spray arm and



2

Slightly tilt the arm and remove it from under the basket.

Cleaning and Maintenance



3

Wash the arms in soapy and warm water and use a soft brush to clean the jets. After cleaning, replace it in the opposite direction.

Caring for the Dishwasher

Frost precaution

If you live in a region that is where the inside temperature can drop below zero, care needs to be taken to avoid possible damage if the water in the dishwasher freezes.

1. Turn off the mains power to the dishwasher.
2. Turn off the water supply and disconnect the Water Inlet Hose. Drain the water inside the hose then reconnect.
3. Remove the coarse filters in the tubs and soak up all water possible with a sponge. Then re-assemble.

Cleaning

Only use gentle cleaning products on the exterior of the dishwasher, no solvents or abrasive compounds.

Products specifically for cleaning the stainless steel interior are effective in restoring the original bright interior.

Long term storage

Disconnect the power supply and the water supply.

Remove the coarse filters and soak up all water possible with a sponge.

This reduces the chance of any odors developing inside the tubs.

Troubleshooting Tips

Before Calling For Service

Before calling for service, check the following list for problems probable causes and what you can do.

Problem	Possible Causes	What To Do
Dishwasher won't start	No power.	Check that the power cord is plugged in to a live power outlet and it is turned on.
	No water supply.	Check that the hose is connected to a water supply and it is turned on.
There is water remaining in the tub	Kinked or blocked drain hose.	Check the drain hose routing.
	Clogged filters in the tub.	Check the filters. If they are clogged, remove them carefully to avoid dropping anything into the sump that could cause a blockage.
The wash items are not clean	Incorrect wash program chosen.	Select a more intensive program
	Obstacle obstructing the spray arm from turning.	Check the wash load for items protruding through the bottom of the basket, or if an item has fallen through the basket.
	Loading pattern too tight	Check for adequate spacing between items.
	Filters not correctly in place.	If either filter is found to be out of place, also check spray arm for blockages.
	Blocked spray arm.	Check that the holes in the spray arm are all clear. Back flush with water to clear.
	Insufficient detergent loaded.	Increase detergent quantity.

Troubleshooting Tips

Problem	Possible Causes	What To Do
Wash items are not fully dry	Unloading dishwasher too soon.	The drying cycle must be complete before the dishwasher is unloaded. Check the Display for end time.
	Insufficient Rinse Aid.	Check for Low Rinse Aid Level warning and re fill if necessary.
	Rinse Aid setting too low.	Increase Rinse Aid setting.
Glassware developing cloudy stains and calcium rings	Insufficient Rinse Aid being dispensed.	Adjust the Rinse Aid Dispenser as per the instructions
Wash items showing signs of rust	Items are unsuitable for dishwasher use.	Discontinue washing such items in the dishwasher.
Tub becoming dull in color	Tub requires rejuvenation.	Dose the tub with specific Stainless Steel Tub /Bowl Cleaner.
Traces of detergent in the tub	Incomplete/interrupted wash cycle.	Rerun wash program to ensure wash load is not contaminated with detergent.
Foam in the wash tub	Non electric dishwasher detergent used.	Use correct detergent.
	Spilt Rinse Aid present.	Repeat the Rinse Program until clear.

Error Codes

If there is a malfunction, the dishwasher will display error codes to identify the symptom.

Codes	Meanings	Possible Causes
E1	Extended Water Inlet Time.	Water supply failure, closed faucet, or insufficient supply water pressure.
E3	Water temperature not reaching target.	Heating element malfunction.
E4	Leak Detected.	For some reason water has leaked from the wash system. Possibilities are over height item in the wash load stopping lid from sealing; internal plumbing or seal failure.
Ec	Washing Control System failure.	Electronics or Motor failure.
Ed	Failure of connection between Display Unit and the Control System.	Wiring failure between the two devices.
EH	The cover does not open or close properly.	The cover motor device damage or foreign matter stuck.

Standard place settings	7 place settings top drawer 7 place settings bottom drawer
Energy efficiency class	★ ★ ★ ★ ☆ ☆ 3.5
Water consumption class	★ ★ ★ ★ ☆ ☆ 4.5
Standard cleaning cycle	ECO
Energy consumption of the standard cleaning cycle	0.367 kWh
Water consumption of the standard cleaning cycle	6.6 liter
Program duration of the standard cleaning cycle	170 mins
Noise level	47 dB(A) re 1 pW
Mounting	Built-in
Could be built-in	Yes
Power consumption	1930-2280 W
Rated voltage/frequency	AC 220-240 V/50 Hz
Water supply pressure	0.04 - 1.0 MPa = 0.4 - 10 bar

Warranty Certificate (New Zealand)

Terms and Conditions

The following conditions apply in respect of the warranty given in this certificate:

1. Monaco Corporation Limited ("Monaco") warrants the following Robinhood products against manufacturing defects and faulty materials, under normal use and subject to the exclusions in this certificate, for a period of:
 - Rangehood, Ovens, Cooktops, Dishwashers, Refrigeration - 24 months from date of original purchase for domestic use.
 - Uniduct - 12 months from date of original purchase for domestic use.
 - Ironing centre - 12 months from date of original purchase for domestic use.
 - Sinks sets- 5 years on stainless steel sink including draining bench from date of original purchase for domestic use, 6 months on all stainless steel accessories, including wire rack, colander and tray from date of original purchase for domestic use.
 - Laundry Tub - 5 years on stainless bowl, 24 months on Tap, Cabinet and other components from the date of original purchase for domestic use.

"Original purchase", when used in this certificate, means purchase by the customer directly from Monaco or one of its approved suppliers.

2. This warranty is limited to the repair or replacement, at our option, within the warranty period of any component part which we at our discretion determine to contain faulty materials or a manufacturing defect in breach of this warranty. This warranty is subject to terms and conditions set out in this certificate.
3. The warranty only applies within New Zealand.
4. The customer must produce the original invoice or other purchase documentation as proof of the original purchase date.

Warranty exclusions

1. The warranty does not apply where, in Monaco's opinion:
 - The defect is caused by misuse, wear and tear, dirt, fire or accidental damage. The product has been repaired or serviced by an unauthorised person.
 - The product was not installed in accordance with our instructions.
 - The product was purchased overseas or was not designed for use in New Zealand. The product was not used, cleaned or cared for in accordance with our instructions.
 - The product was used outdoors.
2. In addition, this warranty does not extend to damage or defects which in our opinion, directly or indirectly arise from or are due to:
 - Exposing the product to acidic or corrosive materials or chemicals such as dyes, solvents, denture cleaner or acetone; Using inappropriate household cleaning products such as abrasive cream or powder cleansers, furniture polish, bleach, mentholated spirits, drain cleaners, sugar soap, metal pads and strongly alkaline or acidic cleaners;
 - Heat damage, including from washing the product at high temperatures;
 - Impact or mishandling the product, including the impact caused by objects scraped along, thrown or dropped on the product surface or excessive weight being placed on the product;
 - Structural or support changes in or affecting the building or the application where the product has been installed;
 - Failure to clean or maintain the product as recommended; or any other causes specified in the product information as being excluded from this warranty.
3. Variations with the colour or gloss within the product or any ageing or fading of colour, shine or gloss level over time are not covered by this warranty. The warranty does not cover visual imperfections or blemishes in the surface and edges of the product that were not brought to your supplier's attention at the time you inspected the product.
4. Costs incurred on installation or removal of a product, or any reinstallation of a product, or any associated costs, are not covered by this warranty.
5. Monaco will not be liable for consequential or indirect loss or damage whatsoever and however arising out of or in connection with the supply, performance or removal of the product, including (but not limited to) loss of profit, loss of revenue, loss of contract, loss of goodwill or increased cost of workings, even if due to the negligence of Monaco or any of its approved suppliers, employees or agents.
6. Charcoal filters and light bulbs are not covered by this warranty
7. This warranty and the statements contained in this certificate or other documents given to you do not exclude, restrict or modify the application of any term implied into this warranty by statute, provided that (to the extent any statutory provision permits Monaco to limit its liability for a breach of an implied condition or warranty) Monaco's liability for such breach is limited to the payment of the cost of replacing the product, repairing the product or acquiring an equivalent product.
8. Subject to clause 5, our obligations under this warranty are limited to those set out in this certificate, and this warranty is expressly instead of all other warranties, express or implied, including any implied warranty of merchantability or fitness for a particular purpose and notwithstanding any course of dealing between the parties or custom and usage in trade to the contrary.

Terms and conditions are subject to change.

Warranty Certificate (Australia)

Terms and Conditions

If you are a consumer under the Australian Consumer Law, our goods come with guarantees that cannot be excluded under the Australian Consumer Law. You are entitled to a replacement or refund for a major failure and for compensation for any other reasonably foreseeable loss or damage. You are also entitled to have the goods repaired or replaced if the goods fail to be of acceptable quality and the failure does not amount to a major failure.

1. Shriro Australia Pty Limited ("Shriro") also warrants the following Robinhood products against manufacturing defects and faulty materials, under normal use and subject to the exclusions in this certificate, for a period of:
 - Rangehood, Ovens, Cooktops, Dishwashers, Refrigeration - 24 months from date of original purchase for domestic use.
 - Uniduct - 12 months from date of original purchase for domestic use.
 - Ironing centre - 12 months from date of original purchase for domestic use.
 - Sinks sets- 5 years on stainless steel sink including draining bench from date of original purchase for domestic use, 6 months on all stainless steel accessories, including wire rack, colander and tray from date of original purchase for domestic use.
 - Laundry Tub - 5 years on stainless bowl, 24 months on Tap, Cabinet and other components from the date of original purchase for domestic use. "Original purchase", when used in this certificate, means purchase by the customer directly from Shriro or one of its approved suppliers.
2. This warranty is limited to the repair or replacement, at our option, within the warranty period of any component part which we at our discretion determine to contain faulty materials or a manufacturing defect in breach of this warranty. This warranty is subject to terms and conditions set out in this certificate.
3. The warranty only applies within Australia.
4. For warranty service outside of capital city metropolitan area or 30 km from nearest authorised service agent you will be liable for reasonable travelling expenses and the cost of transport of the product or parts to and from the service agent
5. To make a claim under this warranty, you must produce the original invoice or other purchase documentation as proof of the original purchase date. You must send your claim to Shriro Australia Pty Limited, 104 Vanessa Street, Kingsgrove, NSW, 2208, within 7 days of any alleged defect or failure of the product first becoming apparent. You are responsible for the expense of making a claim under this warranty.

This warranty is given by:

Shriro Australia Pty Ltd, ABN: 28 002 386 129

Telephone: 1800 648 556

Facsimile: 1800 628 577

Email: customercare@robinhood.com.au

www.robinhood.com.au

Attention: Customer Services Manager

Warranty exclusions

1. The warranty does not apply where, in Shriro's opinion:
 - The defect is caused by misuse, wear and tear, dirt, fire or accidental damage. The product has been repaired or serviced by an unauthorised person.
 - The product was not installed in accordance with our instructions.
 - The product was purchased overseas or was not designed for use in Australia.
 - The product was not used, cleaned or cared for in accordance with our instructions.
 - The product was used outdoors.
2. All Robinhood Rangehoods are suitable for indoor use only and not suitable over BBQs or charcoal cookers designed for outdoor use.
3. In addition, this warranty does not extend to damage or defects which in our opinion, directly or indirectly arise from or are due to: exposing the product to acidic or corrosive materials or chemicals such as dyes, solvents, denture cleaner or acetone; using inappropriate household cleaning products such as abrasive cream or powder cleansers, furniture polish, bleach, mentholated spirits, drain cleaners, sugar soap, metal pads and strongly alkaline or acidic cleaners; heat damage, including from washing the product at high temperatures; impact or mishandling the product, including the impact caused by objects scraped along, thrown or dropped on the product surface or excessive weight being placed on the product; structural or support changes in or affecting the building or the application where the product has been installed; failure to clean or maintain the product as recommended; or any other causes specified in the product information as being excluded from this warranty.
4. Variations with the colour or gloss within the product or any ageing or fading of colour, shine or gloss level over time are not covered by this warranty. The warranty does not cover visual imperfections or blemishes in the surface and edges of the product that were not brought to your supplier's attention at the time you inspected the product.
5. We will not be responsible under this warranty for, nor pay the costs of, removing the existing product, or reinstalling the new product, or any associated costs or damages.
6. Charcoal filters and light bulbs are not covered by this warranty.

The benefits given by this warranty are in addition to other rights and remedies of consumers under any law in relation to the goods which cannot be excluded.

This warranty certificate is not intended to create a contract between Shriro Australia Pty Limited and the purchaser.

New Zealand
Monaco Corporation Ltd Telephone:
(09) 415 6000
Facsimile: (09) 415 7400
Email: enquiries@robinhood.co.nz
www.robinhood.co.nz

Australia
Shriro Australia Pty Limited
ABN 28 002 386 129
Telephone: 1800 648 556
Facsimile: 1800 628 577
Email: enquiries@robinhood.com.au
www.robinhood.com.au