

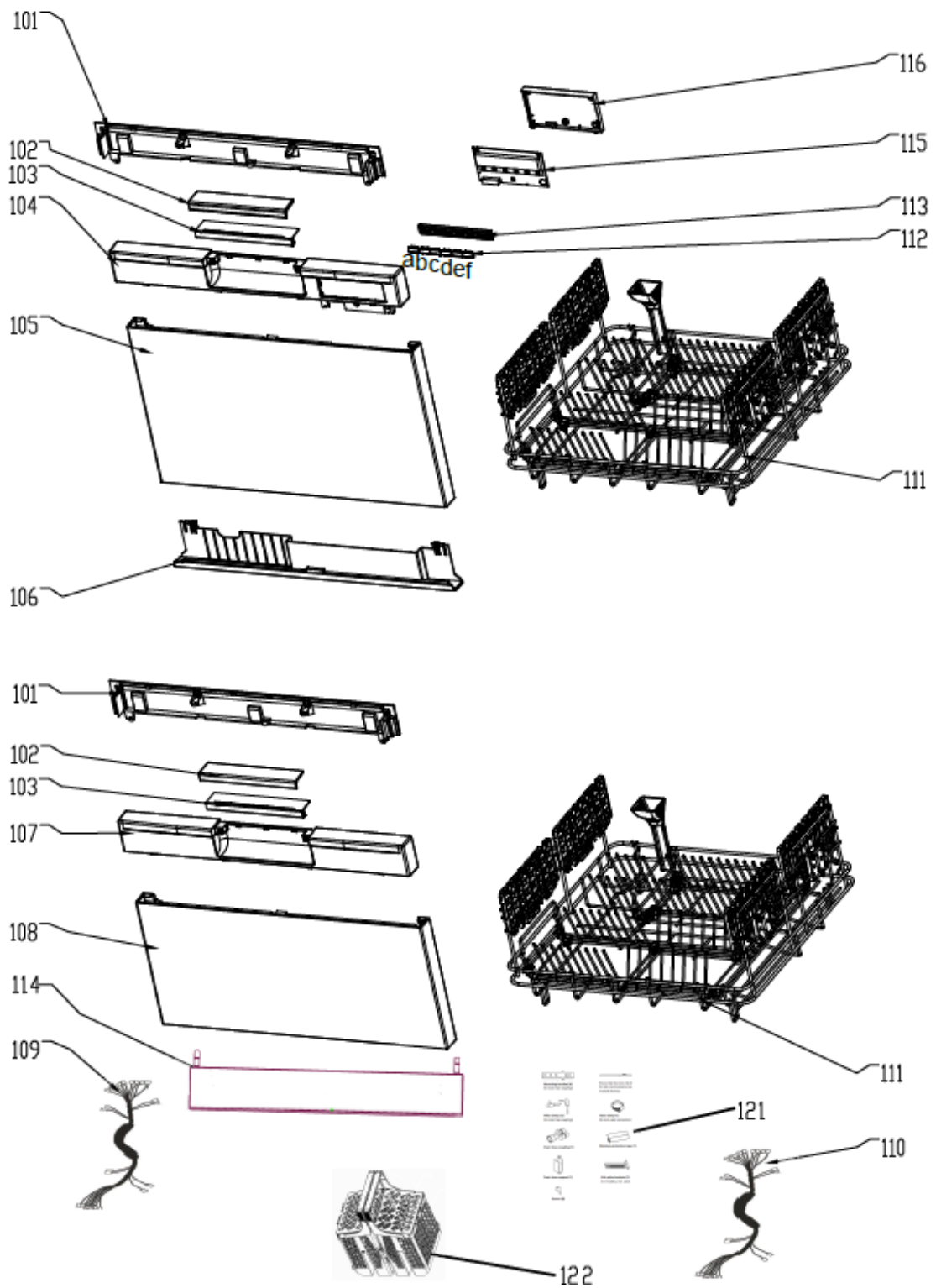
Description: **ROBINHOOD DOUBLE DRAWER DISHWASHER 60CM STAINLESS STEEL**

Model Number: **RHDD60X**



Model pictured: **RHDD60X**

Exploded View



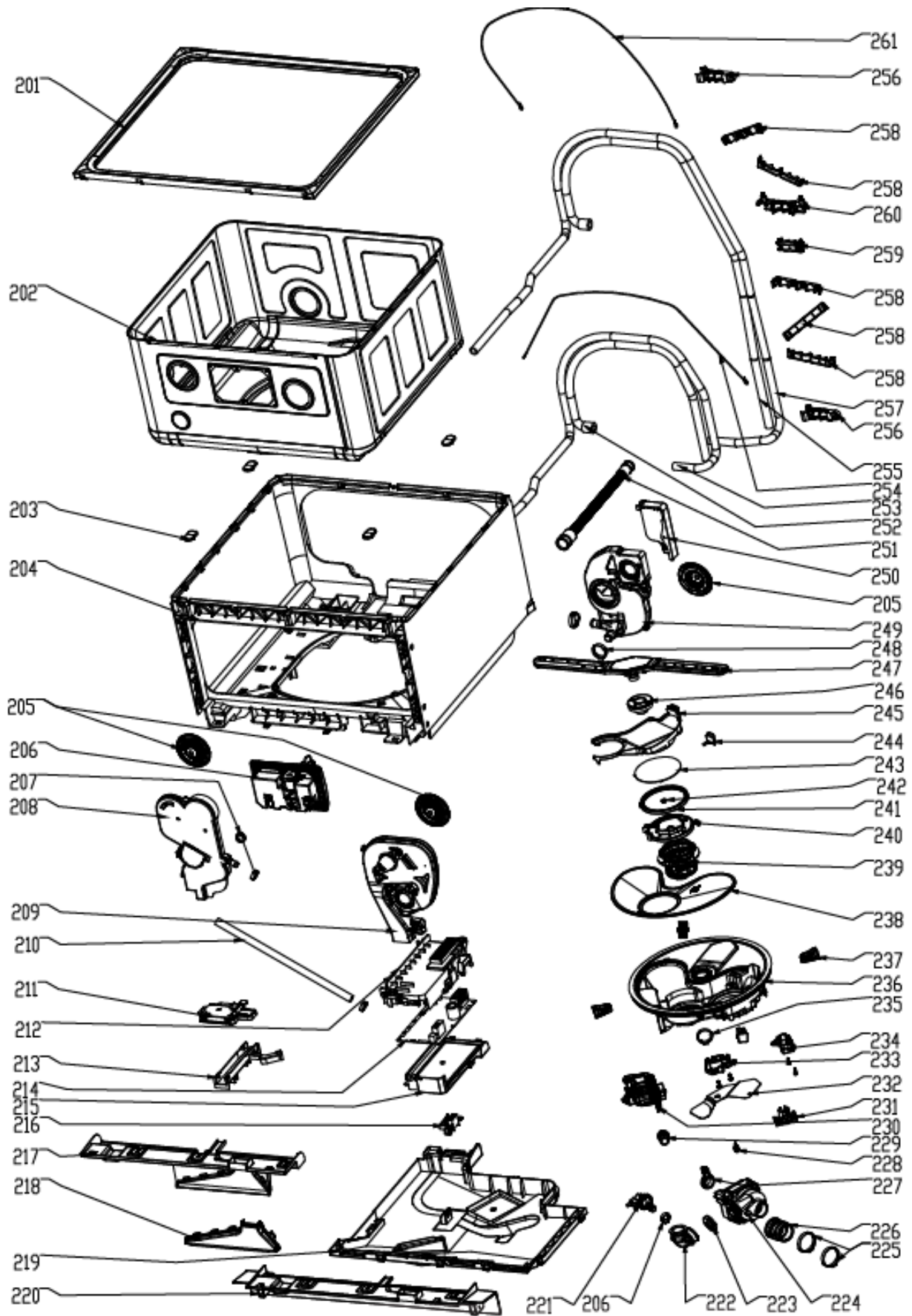
Model & Parts may vary slightly from images pictured

Parts List

Item	Part Number	Description	Qty in Unit
101	12176000026178	Connector	2
102	12276000015230	Control Panel Patch	1
103	12176000026172	Handle cover	1
104	12176000026170	Control Panel	1
105	12276000A27748	Outer Door	1
106	12176000026171	Rear cross piece	1
107	12176000026293	Control Panel Assembly	1
108	12276000016211	Out Door Assembly	1
109	17476000008664	Main Wire Harness	1
110	17476000008663	Main Wire Harness	1
111	12976000006072	Basket	2
112a	12176000026176	Button	1
112b	12176000026174	Button	1
112c	12176000026175	Button	1
112d	12176000026182	Button	1
112e	12176000026179	Button	1
112f	12176000026183	Button	1
113	12676000005383	Sealing Gasket	1
114	12176000028955	Baseboard	1
115	17176000025309	Display panel	1
116	12176000026169	PCB Holder	1
121	12976000005971	Accessory Bag	1
122	12176000026132	Cutlery basket	2

Some parts are not available outside of production

Exploded View



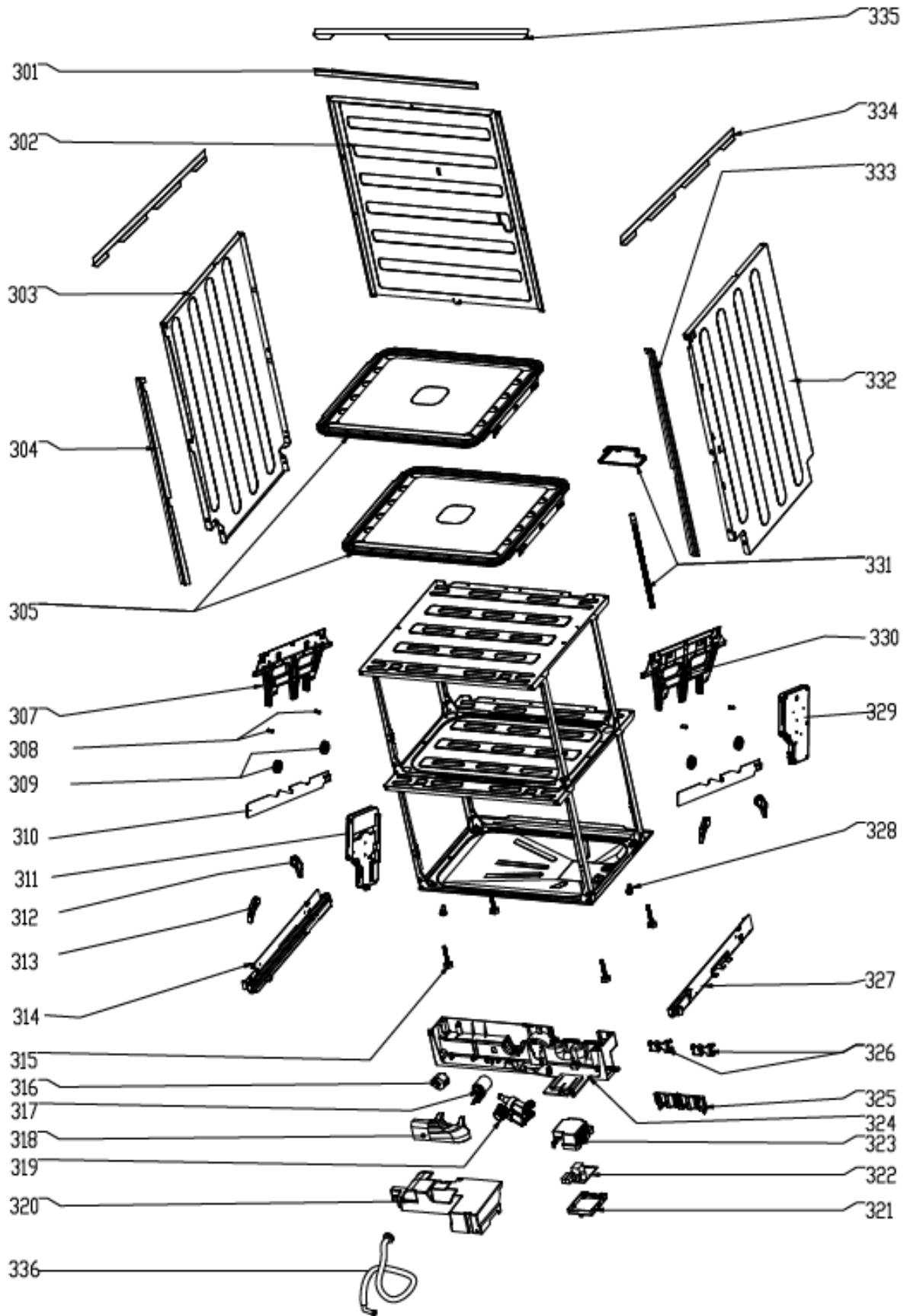
Model & Parts may vary slightly from images pictured

Parts List

Item	Part Number	Description	Qty in Unit
201	12176000026240	Cover	1
202	12276000015312	Tank Assembly	1
203	12676000004842	Pad	4
204	12176000026297	Out Door	1
205	12176000026188	Nut	3
206	17476000008703	Dispenser	1
207	12976000004605	Clamp	10
208	17476000009063	Air breather	1
209	12176000026089	Vent Fan	1
210	12676000004789	Outlet Pipe	1
211	17476000009062	door switch	1
212	12176000026181	PCB Box	2
213	12176000026173	Waterproof Sheet	2
214	17176000025061	Main control panel	2
215	12176000026180	PCB Box Cover	2
216	12176000026185	Supporter	2
217+218	12176000026098	Fan Outlet	1
219	12176000026184	Cover Plate	2
220	12176000026187	Baseboard	1
221	17476000001141	Pressure Switch	1
222	12676000004782	Outlet Pipe	1
223	12976000004609	Clamp	1
224	11001012000151	Brushless DC pump	1
225	12976000004604	Clamp	2
226	12676000004784	Inlet Pipe	1
227	12676000004783	Wash pump holder	1
228	17176000012008	Temperature Sensor	1
229	12676000000993	Check Valve Seat Assembly	1
230	11001011A00221	Permanent magnet synchronous pump	2
231	17176000014521	Turbidity Sensor	1
232	12276000015254	Fireproof Sheet	1
233	12176000026221	Block	1
234	12176000026220	Block	1
235	12976000004608	Clamp	2
236	12176000026218	Water Cup Assembly	1
237	12176000026214	Block	8
238	12276000015255	Plane Filter	2
239	12176000026190	Filter	2
240	12176000026219	Heating Plate Cover	1
241	12676000004762	Seal Ring	1
242	11301514000004	Nut	1
243	17476000008724	Heating elements	1
244	12176000026222	Heating Plate Cover	1
246	12176000026217	Connector	1
247	12176000026249	Spray Arm Assembly	2
248	12976000000305	Hoop	5
249	12176000026236	Fan Assembly	1
250	12176000026215	Waterproof Cover	2
251	12676000004790	Drain Hose	1
252	12676000004788	Drain Hose Assembly	1
253	12676000004764	Inlet Pipe	1
254	12976000005851	Outer Metal Parts	1
255	12676000004787	Drain Hose Assembly	1
256	12176000026191	Press Block	2
257	12676000004763	Inlet Pipe	1
258	12176000026148	Block	5
259	12176000026192	Block	1
260	12176000026189	Block	1
261	12976000005852	Outer Metal Parts	1

Some parts are not available outside of production

Exploded View



Model & Parts may vary slightly from images pictured

Parts List

Item	Part Number	Description	Qty in Unit
301	1267600004845	Seal	2
302	12276000016962	Backboard	1
303	12276000016964	Left Side Panel	1
304	1267600004843	Seal	1
305	12676000006095	Sealing Gasket	2
307	12176000028112	Metal Bracket	2
308	12976000006431	Roller Pin	16
309	12176000027695	Roller	16
310	12276000016308	Connecting Board	4
311	17476000009762	Door Lock Actuator	2
312	12176000028115	Supporter	4
313	12176000028114	Supporter	4
314	12276000015292	Rail assembly	2
315	12176000026100	Adjust Foot	4
316	17476000007545	Power Cord	1
317	11203602000295	Filter	1
318	12176000026114	Block	1
319	17476000008665	Inlet valve	1
320	12176000026090	Waterproof Cover	1
321	12176000026093	PCB Box	1
322	17176000025372	Power Panel	1
323	12176000026095	PCB Box	1
324	12176000026295	Lower Rear Cross Piece	1
325	12176000026092	Block	1
326	12176000026091	Block	2
327	12276000015291	Rail assembly	2
328	12676000005182	Rubber Stopper	2
329	17476000009763	Door Lock Actuator	2
330	12176000028113	Metal Bracket	2
331	12176000026296	Box	1
332	12276000016963	Right Side Plate	1
333	1267600004844	Seal	1
334	12176000027150	Waterproof Sheet	2
335	12176000027149	Waterproof Sheet	1
336	12176000024909	Inlet Pipe Assembly	1

Some parts are not available outside of production

New Zealand

Monaco Corporation Ltd
 Telephone: (09) 415 6000
 Facsimile: (09) 415 7400
 Email: enquiries@robinhood.co.nz
 www.robinhood.co.nz

Australia

Shriro Australia Pty Ltd
 (ABN 28 002 386 129)
 Telephone: 1800 648 556
 Facsimile: 1800 628 577
 Email: enquiries@robinhood.com.au
 www.robinhood.com.au

