



CANOPY RANGEHOOD

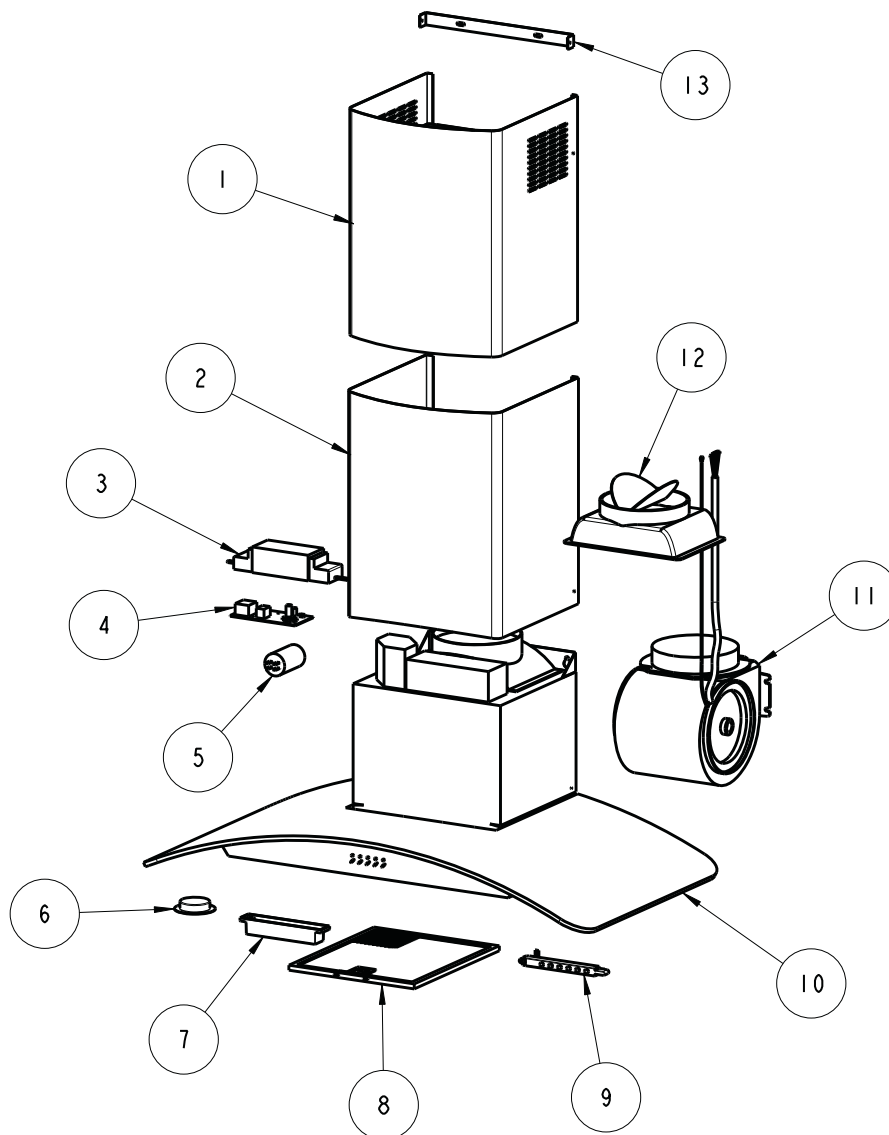
VETRO - Wall **RHCV9G**

APPROVED
ISSUE: C
ECN 07 033

Page 1 of 3

Product may vary
from photograph

RHCV9G Vetro Wall



VETRO WALL - RHCV9G					
					NS=NOT SHOWN
1	UPPER CHIMNEY	114319	8	ALUMINIUM FILTER	114311
NS	UPPER CHIMNEY EXTENSION	2195	NS	CHARCOAL FILTER	2517
2	LOWER CHIMNEY	114318	9	SWITCH	114316
NS	LOWER CHIMNEY EXTENSION	2194	10	GLASS BODY	114314
3	TRANSFORMER (20W)	114315	NS	GLASS MOUNTING KIT	114324
4	PRINTED CIRCUIT BOARD	114317	11	MOTOR	114320
5	CAPACITOR	114327	12	DUCT ADAPTOR	114325
6	LAMP ASSEMBLY (10W)	114323	13	CHIMNEY BRACKET	114322
NS	BULB ONLY (10W)	114313	NS	INSTALLATION KIT	114326
7	OIL CAPTURE CUP	114321			

RHCV9G Vetro Wall

Wiring Diagram

