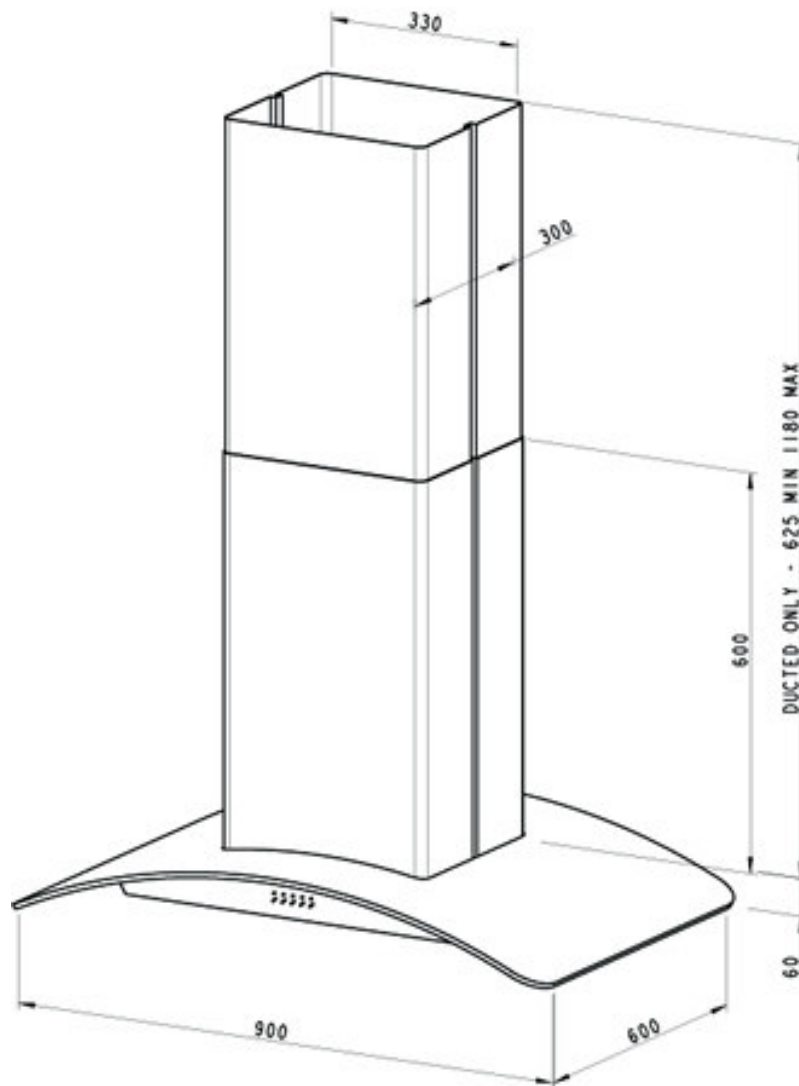
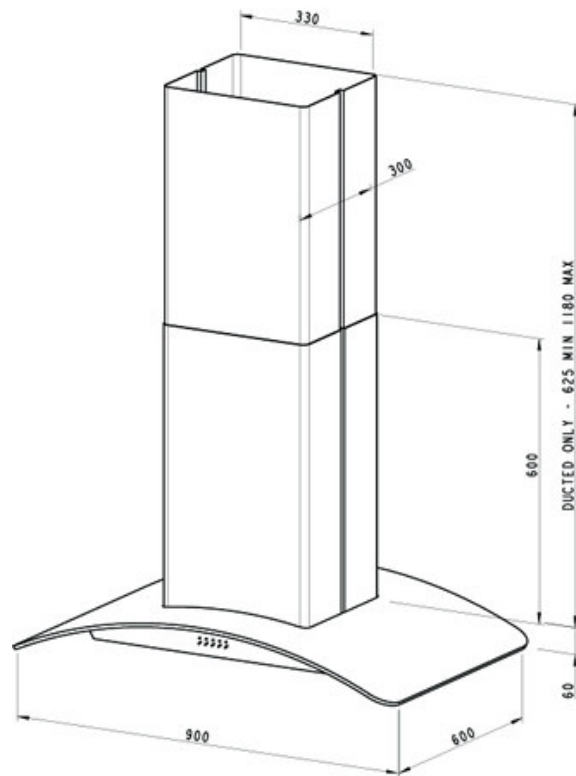


Installation and Operating Instructions

Description: **Robinhood Canopy**
Model Number: **RHCVI9G**



Overview



Pre-Installation

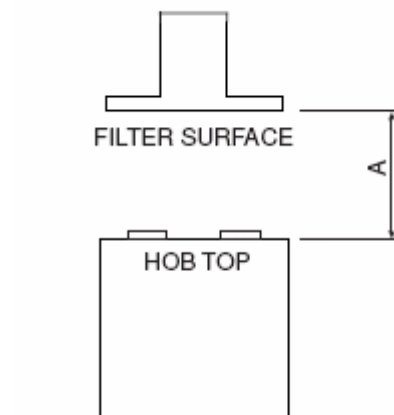
Thank you for purchasing a quality Robinhood rangehood. Robinhood has a high standard of quality control and every rangehood is tested and approved before it leaves the factory.

Important:

- Please read prior to installation or operation
- Always switch power off prior to installing, servicing or cleaning the appliance.
- Never use the appliance without filters.
- Please read the notes on general cleaning, especially the filters.
- Exhaust air must not be discharged into a heating flue or wall cavity, unless the cavity is designed for that purpose.
- Areas where the rangehood is installed that also have gas, oil or coal fired heaters, must be well ventilated to prevent a partial vacuum in the room. This includes gas hobs. (A partial vacuum in the room could result in too high a concentration of gas in the atmosphere).
- The appliance is supplied with an approved power cable which must not be changed. If the supply cord of this equipment is damaged, it must only be replaced by the manufacturer or its service agent or similarly qualified person in order to avoid hazard.

Pre-Installation - *continued*

- The canopy hood is designed for 2400mm ceilings.
- The chimney is telescopic and is designed for hood installations between 600 to 750mm above the cooking surface.
- Ascertain the desired installation height of the canopy hood.
- Any installation above 750mm will compromise the extraction performance.
- The air outlet from the motor requires 150mm round ducting which requires 170mm diameter hole in the ceiling.

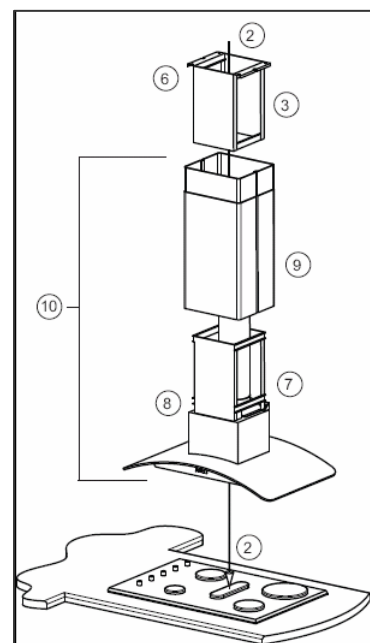
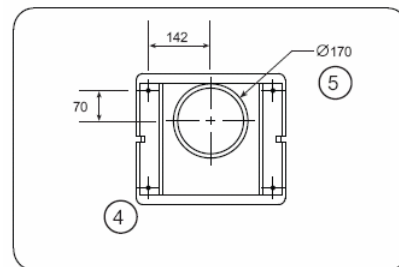


Installation

Before drilling any holes check that the area behind the surface to be drilled is clear of any electrical cables, pipes etc. Fixing to a solid joist or 50mm deep truss is recommended.

Note: Whenever possible protect the hob top with cardboard or the like.

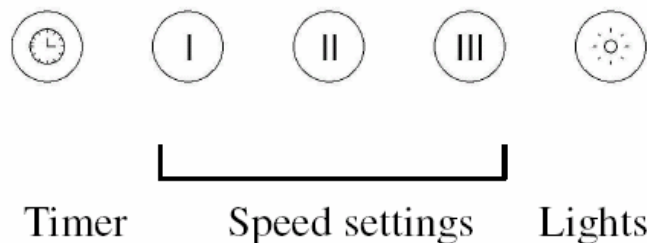
1. Before commencement unpack the canopy hood and check that it functions correctly.
2. Use a plumb line to mark the centre of the cooking surface on the ceiling.
3. Using the upper support frame as a template mark the four holes on the ceiling. Ensure that the support frame front edge is parallel with the bench top and that the plumb line mark is central to the four mounting screw holes.
4. Drill holes in the ceiling at the points marked.
 - When fitting to a 50mm truss drill a pilot hole through the ceiling and the truss.
 - If securing to any other ceiling type please use appropriate fasteners and follow their instructions of use carefully.
5. For the ducting mark out and cut a $\varnothing 170$ mm hole in the ceiling. **Note that this hole is not central to the four mounting screw holes.**
6. Fix the upper support frame to the ceiling using the screws supplied.



Installation - *continued*

7. Secure ducting to the top of the motor housing, use duct tape if required. Solid ducting, galvanized or plastic is recommended. Use flexi ducting only in difficult installations and if used ensure that it is pulled tight. The smoother, straighter and shorter the ducting the quieter and more efficient the canopy hood will perform. Tape the power plug to somewhere near the top of the ducting, this will enable easy access to the plug after installation.
8. Secure the lower part of the support frame to the top of the canopy hood using the screws provided.
9. Strip the plastic protective film off the two chimney pieces and place these over the lower support frame. The lower chimney will rest on top of the canopy hood and the upper chimney will be extended and secured to the upper support frame. To ensure that the upper chimney does not slip inside the lower chimney, secure it so that the upper chimney is showing. Duct tape or two screws/nails through the upper chimney securing holes will do this.
10. Offer the canopy hood, lower support frame, chimneys and ducting up to the upper support frame and secure in place with the four screws provided. The dimension between the filters and the cooking surface should be in line with those suggested in the 'height of canopy hood' section. An additional person will be required for this operation or a simple support frame manufactured to the correct dimensions will aid assembly of the island canopy hood.
 - Finish assembling the ducting ensuring the path is as short, straight and smooth as possible.
 - Connect to the power supply and switch on the power to the canopy hood.
 - Slide the upper chimney piece up to the ceiling and secure in place with the four screws supplied.
 - Remove the transport tape that holds the oil cup in place under the motor unit and fit the filters.

Operating Instructions



Timer switch: Canopy hood will remain on a low, mid or high speed for 15 minutes to clear away all residual cooking odours before switching off automatically.

General Maintenance

Switch off rangehood before cleaning or maintenance. To prevent surface damage never use abrasive or oil based liquid cleaners. To clean the surfaces of the appliance, use mild detergent and warm water. In areas of high humidity and coastal environments cleaning should be carried out frequently.

Warning: a build up of oil may occur if the rangehood is not cleaned regularly.

Filter Maintenance

To maintain efficient, the filter should be removed regularly (approximately monthly), and washed using hot soapy water or the dishwasher.

Note: Some discolouration of the frame may occur if washed in the dishwasher.

Parts and Accessories list

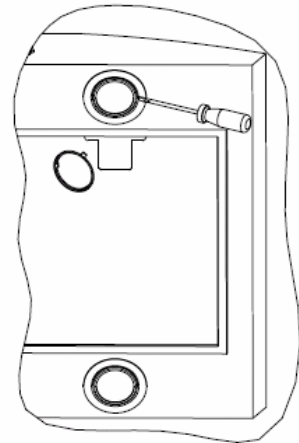
- Uniduct rangehood ducting is the recommended ducting for this unit.

For other Accessories, Parts or Service, please contact your local supplier or approved service agent.

- Filters (x2) (Part no. 114311)
- Installation kit (Part no. 114481)

Lighting

- Halogen bulb 12 volts/10 watt). Product code: 114313
- Disconnect the Rangehood from power supply.
- Use a small bladed screwdriver to prise off the light cover taking care not to damage the surrounding material.
- Replace defective bulb with new one.
- Replace new bulb using a cloth. Do not touch the bulb with fingers.



Important safety information

- This appliance is not intended for use by persons (including children) with reduced physical, sensory or mental capabilities, or lack of experience and knowledge, unless they have been given supervision or instruction concerning use of the appliance by a person responsible for their safety.
- Young children should be supervised to ensure that they do not play with the appliance.
- There shall be adequate ventilation of the room when the rangehood is used at the same time as appliances burning gas or other fuels.
- You must read the details concerning the method and frequency of cleaning.
- There is a fire risk if cleaning is not carried out in accordance with the instructions.
- Do not flambé under the rangehood.
- Exhaust air must not be discharged into an existing flue which is used for exhausting fumes from appliances burning gas or other fuels.
- The minimum distance between the hob surface and the lowest part of the rangehood is 600mm. This distance shall be at least 650mm, if the rangehood is installed over a gas hob. If the instructions for the gas hob specify a greater distance, this has to be taken into account.
- Attention should be given to ensure that any applicable regulations concerning the discharge of exhaust air is fulfilled.
- If the supply cord of this equipment is damaged, it must only be replaced by the manufacturer or its service agent or a similarly qualified person in order to avoid a hazard.

Warranty Certificate (New Zealand)

Terms and Conditions

The following conditions apply in respect of the warranty given in this certificate:

1. Robinhood Limited ("Robinhood") warrants the following products against manufacturing defects and faulty materials, under normal use and subject to the exclusions in this certificate, for a period of:
Rangehood – 24 months from date of original purchase for domestic use.
Uniduct – 12 months from date of original purchase for domestic use.
Ironing centre – 12 months from date of original purchase for domestic use.
"Original purchase", when used in this certificate, means purchase by the customer directly from Robinhood Limited or one of its approved suppliers.
2. This warranty is limited to the repair or replacement, at Robinhood's option, within the warranty period of any component part which Robinhood at its discretion determines to contain faulty materials or a manufacturing defect in breach of this warranty. This warranty is subject to terms and conditions set out in this certificate.
3. The warranty only applies within New Zealand.
4. The customer must produce the original invoice or other purchase documentation as proof of the original purchase date.

Warranty exclusions

1. The warranty does not apply where, in the opinion of Robinhood:
The defect is caused by misuse, wear and tear, dirt, fire or accidental damage.
The product has been repaired or serviced by an unauthorised person.
The product was not installed in accordance with Robinhood instructions.
The product was purchased overseas or was not designed for use in New Zealand.
The product was not used, cleaned or cared for in accordance with Robinhood's instructions.
The product was used outdoors.
2. In addition, this warranty does not extend to damage or defects which in Robinhood's opinion, directly or indirectly arise from or are due to:
Exposing the product to acidic or corrosive materials or chemicals such as dyes, solvents, denture cleaner or acetone;
Using inappropriate household cleaning products such as abrasive cream or powder cleansers, furniture polish, bleach, mentholated spirits, drain cleaners, sugar soap, metal pads and strongly alkaline or acidic cleaners;
Heat damage, including from washing the product at high temperatures;
Impact or mishandling the product, including the impact caused by objects scraped along, thrown or dropped on the product surface or excessive weight being placed on the product;
Structural or support changes in or affecting the building or the application where the product has been installed;
Failure to clean or maintain the product as recommended; or
any other causes specified in the product information as being excluded from this warranty.
3. Variations with the colour or gloss within the product or any ageing or fading of colour, shine or gloss level over time are not covered by this warranty. The warranty does not cover visual imperfections or blemishes in the surface and edges of the product that were not brought to your supplier's attention at the time you inspected the product.
4. Costs incurred on installation or removal of a product, or any reinstallation of a product, or any associated costs, are not covered by this warranty.
5. Robinhood will not be liable for consequential or indirect loss or damage whatsoever and however arising out of or in connection with the supply, performance or removal of the product, including (but not limited to) loss of profit, loss of revenue, loss of contract, loss of goodwill or increased cost of workings, even if due to the negligence of Robinhood or any of its approved suppliers, employees or agents.
6. Charcoal filters and light bulbs are not covered by this warranty
7. This warranty and the statements contained in this certificate or other Robinhood documents given to you do not exclude, restrict or modify the application of any term implied into this warranty by statute, provided that (to the extent any statutory provision permits Robinhood to limit its liability for a breach of an implied condition or warranty) Robinhood's liability for such breach is limited to the payment of the cost of replacing the product, repairing the product or acquiring an equivalent product.
8. Subject to clause 5, the obligations of Robinhood under this warranty are limited to those set out in this certificate, and this warranty is expressly instead of all other warranties, express or implied, including any implied warranty of merchantability or fitness for a particular purpose and notwithstanding any course of dealing between the parties or custom and usage in trade to the contrary.

Should warranty service be required, please contact Robinhood:

Free Phone: 0800 760 667

Free Fax: 0800 276 246

Email: enquiries@robinhood.co.nz

Website: www.robinhood.co.nz

Terms and conditions are subject to change without notice

New Zealand

Robinhood Ltd

Telephone: 0800 760 667

Facsimile: 0800 276 246

Email: enquiries@robinhood.co.nz

www.robinhood.co.nz

Australia

Robinhood PTY Ltd

Telephone: 1800 648 556

Facsimile: 1800 628 577

Email: enquiries@robinhood.com.au

www.robinhood.com.au



Warranty Certificate (Australia)

Terms and Conditions

The following conditions apply in respect of the warranty given in this certificate:

1. Robinhood warrants the following products against manufacturing defects and faulty materials, under normal use and subject to the exclusions in this certificate, for a period of:
Rangehood – 24 months from date of original purchase for domestic use.
Uniduct – 12 months from date of original purchase for domestic use.
Ironing centre – 12 months from date of original purchase for domestic use.
"Original purchase", when used in this certificate, means purchase by the customer directly from Robinhood Australia Pty Ltd or one of its approved suppliers.
2. This warranty is limited to the repair or replacement, at Robinhood's option, within the warranty period of any component part which Robinhood at its discretion determines to contain faulty materials or a manufacturing defect in breach of this warranty. This warranty is subject to terms and conditions set out in this certificate.
3. The warranty only applies within the Commonwealth of Australia.
4. The customer must produce the original invoice or other purchase documentation as proof of the original purchase date.

Warranty exclusions

1. The warranty does not apply where, in the opinion of Robinhood:
The defect is caused by misuse, wear and tear, dirt, fire or accidental damage.
The product has been repaired or serviced by an unauthorised person.
The product was not installed in accordance with Robinhood instructions.
The product was purchased overseas or was not designed for use in Australia.
The product was not used, cleaned or cared for in accordance with Robinhood's instructions.
The product was used outdoors.
2. In addition, this warranty does not extend to damage or defects which in Robinhood's opinion, directly or indirectly arise from or are due to:
Exposing the product to acidic or corrosive materials or chemicals such as dyes, solvents, denture cleaner or acetone;
Using inappropriate household cleaning products such as abrasive cream or powder cleansers, furniture polish, bleach, mentholated spirits, drain cleaners, sugar soap, metal pads and strongly alkaline or acidic cleaners;
Heat damage, including from washing the product at high temperatures;
Impact or mishandling the product, including the impact caused by objects scraped along, thrown or dropped on the product surface or excessive weight being placed on the product;
Structural or support changes in or affecting the building or the application where the product has been installed;
Failure to clean or maintain the product as recommended; or
Any other causes specified in the product information as being excluded from this warranty.
3. Variations with the colour or gloss within the product or any ageing or fading of colour, shine or gloss level over time are not covered by this warranty. The warranty does not cover visual imperfections or blemishes in the surface and edges of the product that were not brought to your supplier's attention at the time you inspected the product.
4. Costs incurred on installation or removal of a product, or any reinstallation of a product, or any associated costs, are not covered by this warranty.
5. Robinhood will not be liable for consequential or indirect loss or damage whatsoever and however arising out of or in connection with the supply, performance or removal of the product, including (but not limited to) loss of profit, loss of revenue, loss of contract, loss of goodwill or increased cost of workings, even if due to the negligence of Robinhood or any of its approved suppliers, employees or agents.
6. Charcoal filters and light bulbs are not covered by this warranty
7. This warranty and the statements contained in this certificate or other Robinhood documents given to you do not exclude, restrict or modify the application of any term implied into this warranty by statute, provided that (to the extent any statutory provision permits Robinhood to limit its liability for a breach of an implied condition or warranty) Robinhood's liability for such breach is limited to the payment of the cost of replacing the product, repairing the product or acquiring an equivalent product.
8. Subject to clause 5, the obligations of Robinhood under this warranty are limited to those set out in this certificate, and this warranty is expressly instead of all other warranties, express or implied, including any implied warranty of merchantability or fitness for a particular purpose and notwithstanding any course of dealing between the parties or custom and usage in trade to the contrary.

Should warranty service be required, please contact Robinhood:

Free Phone: 1800 648 556

Free Fax: 1800 628 577

Email: enquiries@robinhood.com.au

Website: www.robinhood.com.au

Terms and conditions are subject to change without notice

101961 iss. N
ECN 08 110

New Zealand

Robinhood Ltd
Telephone: 0800 760 667
Facsimile: 0800 276 246
Email: enquiries@robinhood.co.nz
www.robinhood.co.nz

Australia

Robinhood PTY Ltd
Telephone: 1800 648 556
Facsimile: 1800 628 577
Email: enquiries@robinhood.com.au
www.robinhood.com.au

