

Description: **ROBINHOOD CHEST FREEZERS WHITE**

Model Number: **RHCF100; RHCF200; RHCF260**



Model Pictured: RHCF100; RHCF200;RHCF260

Contents

Congratulations!

Thank you for choosing one of our appliances. Before you use the appliance, we strongly recommend that you read through the whole user manual which provides important safety instructions and description of the product and the proper use of its functions.

To avoid the ever-present risks involved with using an electrical appliance it is vital that the oven is installed correctly and that you read the safety instructions carefully to avoid misuse and hazards. It is important that you retain these instructions and your proof of purchase along with any other important documents about this product for future reference.

Due to continual product development, Robinhood reserves the right to alter specifications or appearances without notice.

Important Safety Instructions.....	1
Installation.....	2
Appliance Details.....	3
Operating Instructions.....	3
Care and Maintenance.....	4
Troubleshooting.....	5
Warranty Certificate (New Zealand).....	6

Disposal Information

- Most of the packing materials are recyclable. Please dispose of these materials through your local recycling depot or by placing them in appropriate collection containers.
- If you wish to discard this product, please contact your local authorities and ask for the correct method of disposal.

Important Safety Instructions

Read the assembly instruction section and safety precautions of this booklet carefully before removing the contents of this carton.

1. This appliance is not intended for use by persons (including children) with reduced physical, sensory or mental capabilities, or lack of experience or knowledge, unless they have been given supervision or instruction concerning the use of the appliance by a person responsible for their safety. Young children should be supervised to ensure that they do not play with the appliance.
2. In certain circumstances electrical appliances may be a safety hazard.
3. Do not place heavy objects on this appliance.
4. The appliance is not intended to be operated by means of an external timer or separate remote control system.
5. Electrical connection must be made as per local wiring rules and regulations. Do not disconnect the appliance with wet hands and do not disconnect the power cord with extreme force. Do not coil the cord while in use but keep any excess cord to the back of the appliance. Take care that the power socket is accessible.
6. The appliance should be unplugged when not in use and before any maintenance is carried out on the appliance.
7. If the supply cord is damaged, it must be replaced by the manufacturer, its Authorised Service Centre or a similarly qualified person in order to avoid a hazard.
8. **WARNING:** Ensure that the ventilation openings, in the appliance enclosure or in the built-in structure, are not obstructed. Follow the installation requirements in this manual. Avoid prolonged exposure to direct sunlight.
9. **WARNING:** Do not use mechanical devices or other means to accelerate the defrosting process, other than those recommended by the manufacturer.
10. **WARNING:** Keep ventilation openings, in the appliance enclosure or in the built-in structure, clear of obstruction.
11. **WARNING:** Do not use mechanical devices or other means to accelerate the defrosting process, other than those recommended by the manufacturer.
12. **WARNING:** Do not damage the refrigerant circuit.
13. **WARNING:** Do not use electrical appliances inside the food storage compartments of the appliance.
14. **WARNING:** When positioning the appliance, ensure the supply cord is not trapped or damaged.
15. **WARNING:** Do not locate multiple portable socket-outlets or portable power supplies at the rear of the appliance.
16. Do not use mechanical devices or other means to accelerate the defrosting process, other than those recommended by the manufacturer.
17. Do not store explosive substances such as aerosol cans with flammable propellant in this appliance. Do not modify this appliance.
18. This appliance must be correctly installed by a suitably qualified person, strictly in accordance with the manufacturer's instructions. Please see the specific section of this booklet that refers to installation.
19. When disposing of this appliance, please do so according to local regulations as it contains flammable gas & refrigerant.
20. Do not place hot items on plastic areas of appliance. Do not refreeze food once defrosted. Store pre-packed frozen food in accordance to the manufactures instructions. Take care when freezing liquids as sealed containers can explode under pressure.
21. The refrigerant isobutene (R600a) contained within the refrigerant circuit of the appliance is a natural gas with a high level of environmental compatibility, which is nevertheless flammable.
22. During transportation, installation and servicing of the appliance ensure that none of the components of the refrigerant circuit are damaged.
23. Avoid open flames and sources of ignition.
24. Thoroughly ventilate the room in which the appliance is situated.



DO NOT OPERATE THIS APPLIANCE BEFORE READING THE INSTRUCTION
DO NOT BOOKLET PLACE ARTICLES ON OR AGAINST THIS APPLIANCE
DO NOT STORE CHEMICALS OR FLAMMABLE MATERIALS OR SPRAY AEROSOLS NEAR THIS APPLIANCE

This appliance is intended to be used in household and similar applications such as:

Staff kitchen areas in shops, offices and other working environments; Farm houses and by clients in hotels, motels and other residential type environments; Bed & breakfast type environments; Catering and similar non-retail applications.

Symbol Meaning:



WARNING: Risk of fire / flammable materials

Installation

UNPACKING THE APPLIANCE

Remove the external & internal packaging.

When unpacking the appliance please check for any damage. If damage is found, do not connect to the power source and contact the Authorised Service Provider.

Before connecting the appliance to the power source, let it stand upright for approximately 4 hours. This will reduce the possibility of a malfunction in the cooling system from handling during transportation. Remove any protective film from the outer surface.

Clean the interior surface with lukewarm water using a soft cloth.

Location

The appliance should be installed well away from sources of heat such as radiators, boilers, direct sunlight etc. Ensure that air can circulate freely around the back of the cabinet. To ensure best performance, if the appliance is positioned below an overhanging wall unit, the minimum distance between the top of the cabinet and the wall unit must be at least 100 mm. Ideally, however, the appliance should not be positioned below overhanging wall units. Accurate leveling is ensured by one or more adjust-able feet at the base of the cabinet.

Warning! It must be possible to disconnect the appliance from the mains power supply; the plug must therefore be easily accessible after installation.

Electrical connection

Before plugging in, ensure that the voltage and frequency shown on the rating plate correspond to your domestic power supply. The appliance must be earthed. The power supply cable plug is provided with a contact for this purpose. If the domestic power supply socket is not earthed, connect the appliance to a separate earth in compliance with current regulations, consulting a qualified electrician.

The manufacturer declines all responsibility if the above safety precautions are not observed.

This appliance complies with the E.E.C. Directives.

Space Requirement

The following are recommended.

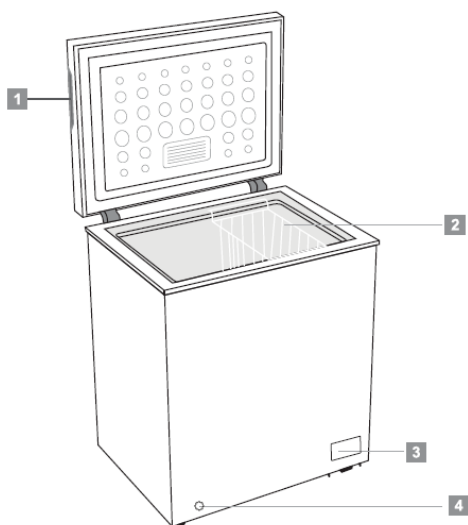
Clearances around the chest freezer

Sides.....10cm

Back10cm

Top70cm

Appliances Overview

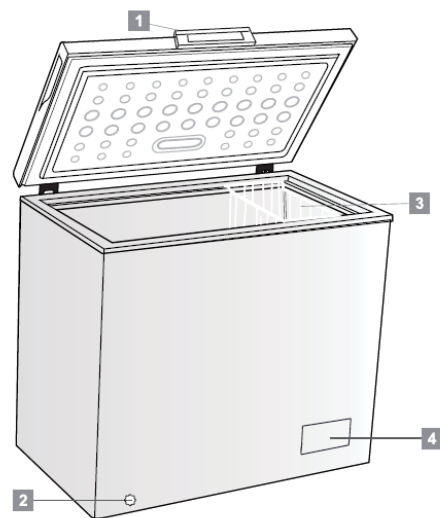


Left: (RHCF100)

- 1-Recessed Handle
- 2-Basket
- 3-Thermostat Control Panel
- 4-Drain hole

Right:(RHCF200&RHCF260)

- 1-Handle
- 2-Drain hole
- 3-Basket
- 4-Thermostat Control Panel



Operating Instructions

Electrical Details

Model No. RHCF100

Gross volume: 100L
Storage volume: 100L

220 - 240V ~ 50Hz
Rated current: 0.55A
Energy consumption: 0.608kW.h/24h
Climate class: T
Refrigerant: R600a (36g)
Insulation blow gas: Cyclopentane

Model No. RHCF200

Gross volume: 200L
Storage volume: 200L

220 - 240V ~ 50Hz
Rated current: 0.7A
Energy consumption: 0.822kW.h/24h
Climate class: T
Refrigerant: R600a (53g)
Insulation blow gas: Cyclopentane

Model No. RHCF260

Gross volume: 260L
Storage volume: 260L

220 - 240V ~ 50Hz
Rated current: 1.35A
Energy consumption: 0.819kW.h/24h
Climate class: T
Refrigerant: R600a (56g)
Insulation blow gas: Cyclopentane

Operating Instructions

1. Temperature Setting

Temperature could be adjusted by pushing “-” or “+” button. The temperature could be adjusted from -14 to -22. Keep pushing the button for 5 seconds, the temperature could be well set.

2. Lock & Unlock

The temperature setting panel would be locked automatically after 30 seconds without operation. To unlock the temperature panel, please push both “-” or “+” button in the same time for 3 seconds, then the temperature setting panel would be unlocked.

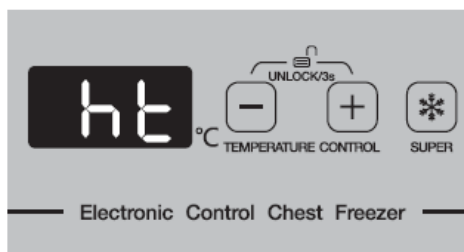
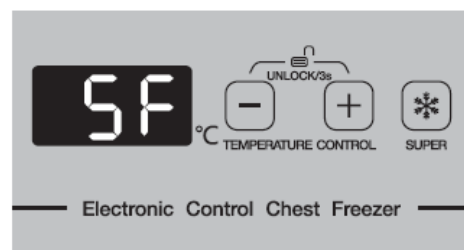
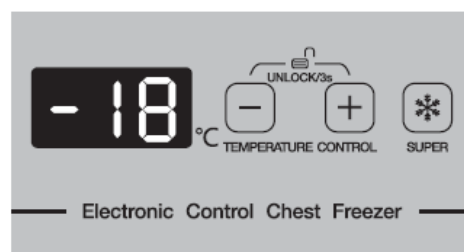
3. “SUPER” and Fast Freeze Function

Push “SUPER” button, then the freezer would activate the fast freeze function. The temperature panel would show “SF” (shown as below picture). Compressor would run for 52 hours without stopping when fast freeze function is activated.

To stop the “SUPER” function, please push the “SUPER” button again.

4. SMART MONITOR FUNCTION: High Temperature Alert

The system would monitor the temperature automatically after continuous 3 hours' working. In case of temperature inside the cabinet is higher than -8 for more than 2 hours, the high temperature alert would be activated. In such case, the buzzer would start warning, and the panel would show “ht” as right picture.



Daily use

Freezing fresh food: The freezer compartment is suitable for freezing fresh food and storing frozen and deep-frozen food for a long time; Place the fresh food to be frozen in the bottom compartment; The maximum amount of food that can be frozen in 24 hours is specified on the rating plate; The freezing process lasts 24 hours: during this period do not add other food to be frozen.

Storing frozen food: When first starting-up or after a period out of use, before putting the product in the compartment let the appliance run at least 2 hours on the higher settings.

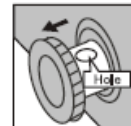
Important! In the event of accidental defrosting, for example the power has been off for longer than the value shown in the technical characteristics chart under “rising time”, the defrosted food must be consumed quickly or cooked immediately and then re-frozen (after cooked).

Defrosting of the freezer

The freezer, however, will become progressively covered with frost. This should be removed. Never use sharp metal tools to scrape off frost from the evaporator as you could damage it. However, when the ice becomes very thick on the inner liner, complete defrosting should be carried out as follows:

- Unplug the unit. Remove the drain plug from the inside of the freezer. Defrosting usually takes a few hours. To defrost faster keep the freezer door open.

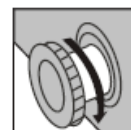
- For draining, place a tray beneath the outer drain plug. Pull out the drain dial .



- Rotate the drain dial 180 degree. This will let the water flow out in the tray. When done, push the drain dial in. Replug the drain plug inside the freezer compartment. Note: monitor the container under the drain to avoid overflow.

- Wipe the interior of the freezer and replace the electrical plug in the electrical outlet.

- Reset the temperature control to the desired setting.



CLEANING THE APPLIANCE

Upon installation of your new appliance, it is recommended that it be cleaned thoroughly, and cleaned once a month after that.

To clean the appliance, first turn the thermostat to MIN, turn off the power, unplug from the power socket and remove all food and shelving.

Wash the inside with a damp warm cloth containing a water and baking soda solution. The solution should be about 2 tablespoons of baking soda to a quart of water.

Wash the shelving with a mild detergent solution.

Be sure to keep the door gasket (seal) clean to keep the unit running efficiently.

The outside of the appliance should be cleaned with mild detergent and warm water. Dry the interior and exterior with a soft cloth.

It is recommended that the unit be cleaned each time it is defrosted to help keep the unit odour free and running efficiently.

Do not use oils, abrasive cleaners, petroleum products, acids or alkaline detergents, as they can damage the appliance.

MOVING THE APPLIANCE

- Remove all food.
- Securely tape down all loose items inside the appliance.
- Tape the doors shut.
- Ensure the appliance stays upright during transportation.

ENERGY SAVING TIPS

The appliance should be located in the coolest area of the room, away from heat producing appliances or heating ducts, and out of the direct sunlight.

Let hot foods cool to room temperature before placing in the appliance. Overloading the appliance forces the compressor to run longer. Foods that cool or freeze too slowly may lose quality, or spoil.

Be sure to wrap foods properly, and wipe containers dry before placing them in the appliance. This cuts down on frost build-up inside the freezer and bad odours.

The freezer compartment should not be lined with aluminium foil, wax paper, or paper towels. Liners interfere with cold air circulation, making the freezer less efficient.

Organize and label food to reduce door openings and extended searches. Remove as many items as needed at one time, and close the door as soon as possible.

When adding fresh food, try to add it to the bottom of the freezer, surrounded by food that is already frozen. After adding fresh food to the freezer, allow 24 hours for it to be fully frozen before adding any more fresh food.

Troubleshooting

Problem	Possible cause	Solution
Appliance does not work	Mains plug is not plugged in or is loose	Insert mains plug.
	Fuse has blown or is defective	Check fuse, replace if necessary.
	Socket is defective	Mains malfunctions are to be corrected by an electrician.
Appliance freezes too much	Temperature is set too cold or the appliance runs at MAX setting.	Turn the temperature regulator to a warmer setting temporarily.
The food is not frozen enough.	Temperature is not properly adjusted.	Please look in the initial Temperature Setting section.
	Door was open for an extended period.	Open the door only as long as necessary.
	A large quantity of warm food was placed in the appliance within the last 24 hours.	Turn the temperature regulation to a colder setting temporarily.
	The appliance is near a heat source.	Please look in the installation location section.
Heavy build-up of frost on the door seal.	Door seal is not air-tight.	Carefully warm the leaking sections of the door seal with a hair dryer (on a cool setting). At the same time shape the warmed door seal by hand such that it sits correctly.
Unusual noises	The appliance is touching the wall or other objects.	Move the appliance slightly.
	A component, e.g. a pipe, on the rear of the appliance is touching another part of the appliance or the wall.	If necessary, carefully bend the component out of the way.

Warranty Certificate (New Zealand)

Terms and Conditions

The following conditions apply in respect of the warranty given in this certificate:

1. Monaco Corporation Limited ("Monaco") warrants the following Robinhood products against manufacturing defects and faulty materials, under normal use and subject to the exclusions in this certificate, for a period of:
 - Rangehood, Ovens, Cooktops, Dishwashers, Refrigeration - 24 months from date of original purchase for domestic use.
 - Uniduct - 12 months from date of original purchase for domestic use.
 - Ironing centre - 12 months from date of original purchase for domestic use.
 - Sinks sets- 5 years on stainless steel sink including draining bench from date of original purchase for domestic use, 6 months on all stainless steel accessories, including wire rack, colander and tray from date of original purchase for domestic use.
 - Laundry Tub - 5 years on stainless bowl, 24 months on Tap, Cabinet and other components from the date of original purchase for domestic use.

"Original purchase", when used in this certificate, means purchase by the customer directly from Monaco or one of its approved suppliers.

2. This warranty is limited to the repair or replacement, at our option, within the warranty period of any component part which we at our discretion determine to contain faulty materials or a manufacturing defect in breach of this warranty. This warranty is subject to terms and conditions set out in this certificate.
3. The warranty only applies within New Zealand.
4. The customer must produce the original invoice or other purchase documentation as proof of the original purchase date.

Warranty exclusions

1. The warranty does not apply where, in Monaco's opinion:
 - The defect is caused by misuse, wear and tear, dirt, fire or accidental damage. The product has been repaired or serviced by an unauthorised person.
 - The product was not installed in accordance with our instructions.
 - The product was purchased overseas or was not designed for use in New Zealand. The product was not used, cleaned or cared for in accordance with our instructions.
 - The product was used outdoors.
2. In addition, this warranty does not extend to damage or defects which in our opinion, directly or indirectly arise from or are due to:
 - Exposing the product to acidic or corrosive materials or chemicals such as dyes, solvents, denture cleaner or acetone; Using inappropriate household cleaning products such as abrasive cream or powder cleansers, furniture polish, bleach, mentholated spirits, drain cleaners, sugar soap, metal pads and strongly alkaline or acidic cleaners;
 - Heat damage, including from washing the product at high temperatures;
 - Impact or mishandling the product, including the impact caused by objects scraped along, thrown or dropped on the product surface or excessive weight being placed on the product;
 - Structural or support changes in or affecting the building or the application where the product has been installed;
 - Failure to clean or maintain the product as recommended; or any other causes specified in the product information as being excluded from this warranty.
3. Variations with the colour or gloss within the product or any ageing or fading of colour, shine or gloss level over time are not covered by this warranty. The warranty does not cover visual imperfections or blemishes in the surface and edges of the product that were not brought to your supplier's attention at the time you inspected the product.
4. Costs incurred on installation or removal of a product, or any reinstallation of a product, or any associated costs, are not covered by this warranty.
5. Monaco will not be liable for consequential or indirect loss or damage whatsoever and however arising out of or in connection with the supply, performance or removal of the product, including (but not limited to) loss of profit, loss of revenue, loss of contract, loss of goodwill or increased cost of workings, even if due to the negligence of Monaco or any of its approved suppliers, employees or agents.
6. Charcoal filters and light bulbs are not covered by this warranty
7. This warranty and the statements contained in this certificate or other documents given to you do not exclude, restrict or modify the application of any term implied into this warranty by statute, provided that (to the extent any statutory provision permits Monaco to limit its liability for a breach of an implied condition or warranty) Monaco's liability for such breach is limited to the payment of the cost of replacing the product, repairing the product or acquiring an equivalent product.
8. Subject to clause 5, our obligations under this warranty are limited to those set out in this certificate, and this warranty is expressly instead of all other warranties, express or implied, including any implied warranty of merchantability or fitness for a particular purpose and notwithstanding any course of dealing between the parties or custom and usage in trade to the contrary.

Terms and conditions are subject to change.

New Zealand

Monaco Corporation Ltd
Telephone: (09) 415 6000
Facsimile: (09) 415 7400
Email: customercare@robinhood.co.nz
www.robinhood.co.nz

Australia

Shiro Australia Pty Ltd
ABN 28 002 386 129
Telephone: 1800 648 556
Facsimile: 1800 628 577
Email: customercare@robinhood.com.au
www.robinhood.com.au