

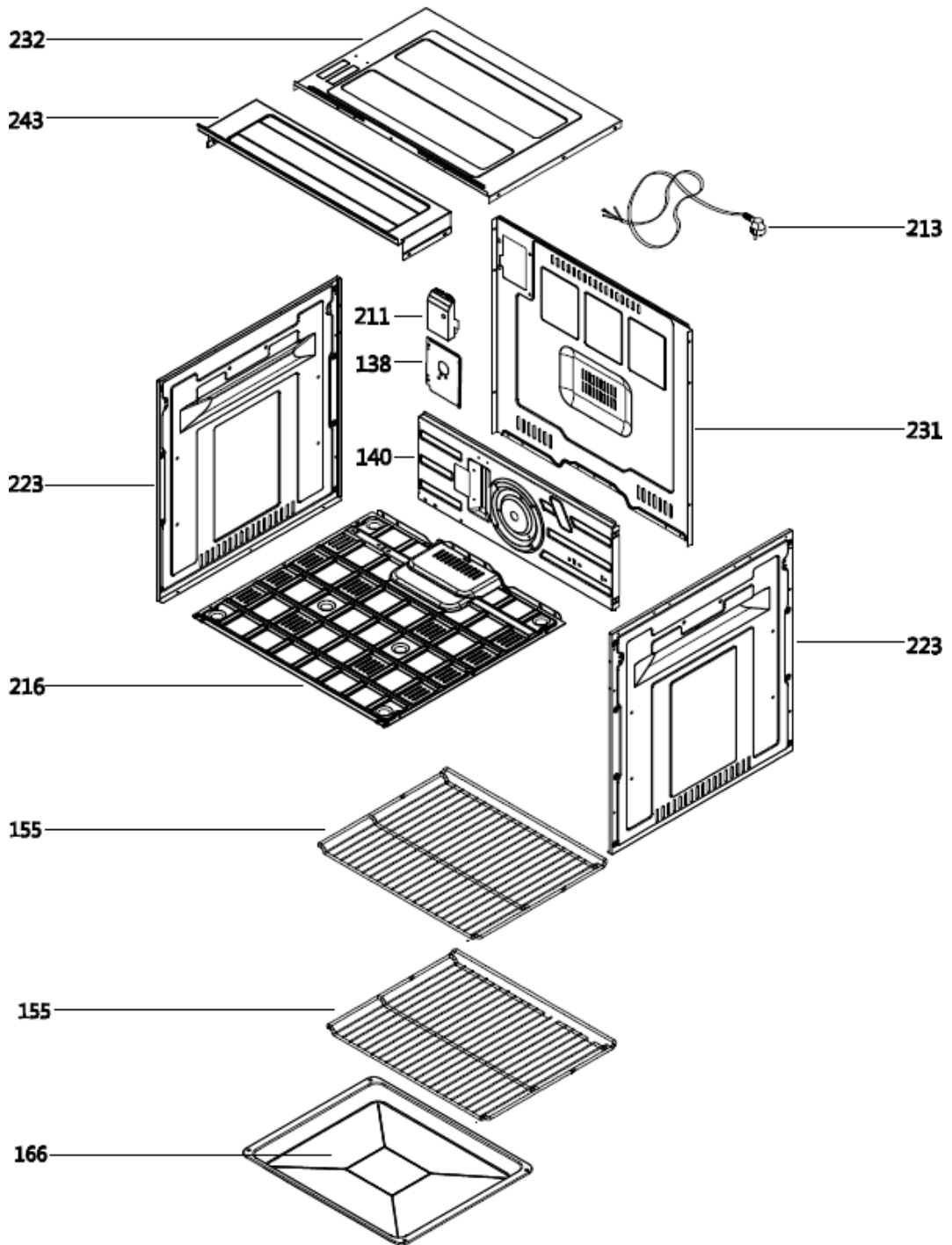
Description: **ROBINHOOD 60CM BUILT-IN OVEN 7 FUNCTIONS, 72L, TOUCH CONTROL**

Model Number: **RHBO67BX**



Model pictured: **RHBO67BX**

Exploded view



Model pictured: **RHBO67BX**

Model & Parts may vary slightly from images pictured

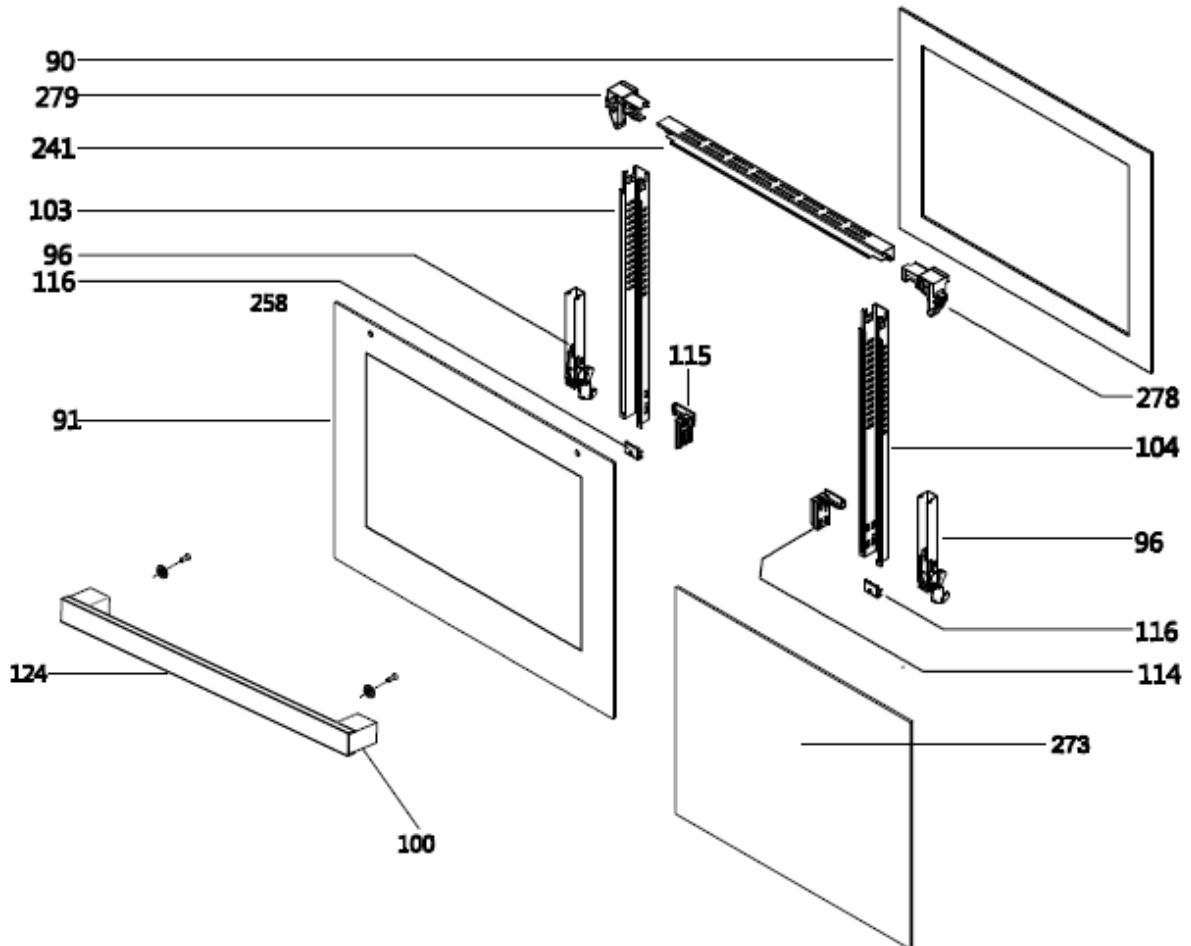
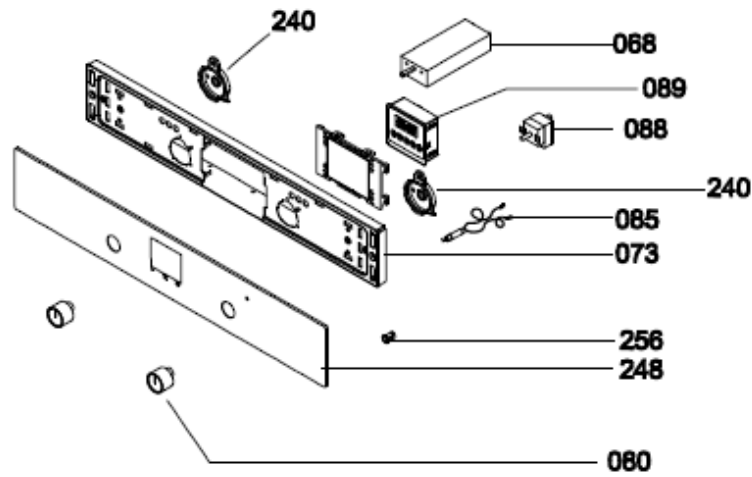
Parts List

Item	Description	Part Number
232	BACK PANEL TOP COVER BI 2016	YFA604000010033
243	SERVICE COVER BUILT IN OVEN 60CM 2016	YFA604000010037
213	POWER CORD WITH PLUG 3X0.75 X1550 AUSTRALIAN TYPE (BLACK)	H3510160010
231	BACK PANEL COVER BI 2016	YFA604000010034
223	SIDE PANEL (RIGHT/LEFT) BUILT IN OVEN	YFA604000010032
216	BASE COVER 60CM BI 2016	YFA604000010035
155	WIRE GRID FOR OVEN SECTION 60X60-2016	H2510160011
211	CONNECTION BLOCK (SMALL KADO-SL 200)	H3530180005
140	CARCASS PROFILE 60CM BI 2016	YFA604000010041
138	KADO CONNECTION PROFILE SMALL-90X60/60X60- 2014	YFT904000010012
166	ENAMEL TRAY FOR 60X60/BUILT-IN OVEN (30MM)	YORTK0700020001

Parts List

Item	Description	Part Number
150	COOLING FAN (BUILT-IN)	H3530340020
233	FAN MOTOR JOINT SHEET 60CM BI 2016	YFA604000010045
168	TERM. LMT. NC 120 16A 60X60	H3530360018
234	FAN TABLE BOTTOM-TOP GROUP	YFA604000010059
161	HEATING ELEMENT 60X60 2000W-WITH GRILL (ENGLAND SPECIAL)	H3525160007
238	WIRE RACK (COMMON) RIGHT-LEFT-2016	H2545100023
148	CAVITY BASE PROFILE (RIGHT/LEFT) 60CM BI 2016	YFA604000010040
146	CAVITY ELC.FRONT PANEL SHEET BLACK 60cm BI-2016	YFA6042SP030001
123	FRONT GLASS STOPPER-2016	H7015100008
214	CABLE GROUP	YFA605600043143
151	TURBO FAN MOTOR (15 mm PACKAGE)	H3530340003
169	ISOLATION MATERIAL WHITE 1650X810 'T' 15mm	H5010000036
159	WIRE FOR INSULATION MATERIAL	H2545100002
149	OVEN LAMP SQUARE (15W)	H3530280002
140	CARCASS PROFILE 60CM BI 2016	YFA604000010041
145	CAVITY GROUP ELC.STD.LMP.4 FNC.(0+3) 5 FNC. (0+4) STD RACK	YFA6026SE020010
160	HEATING ELEMENT 60X60 1200W-BOTTOM *N*	H3525160002
163	BOTTOM HEATING ELEMENT COVER BUILT-IN OVEN	YFB904000010014
164	SILICON GASKET FOR 60cm ANK (O TYPE)	H7010130006

Exploded view



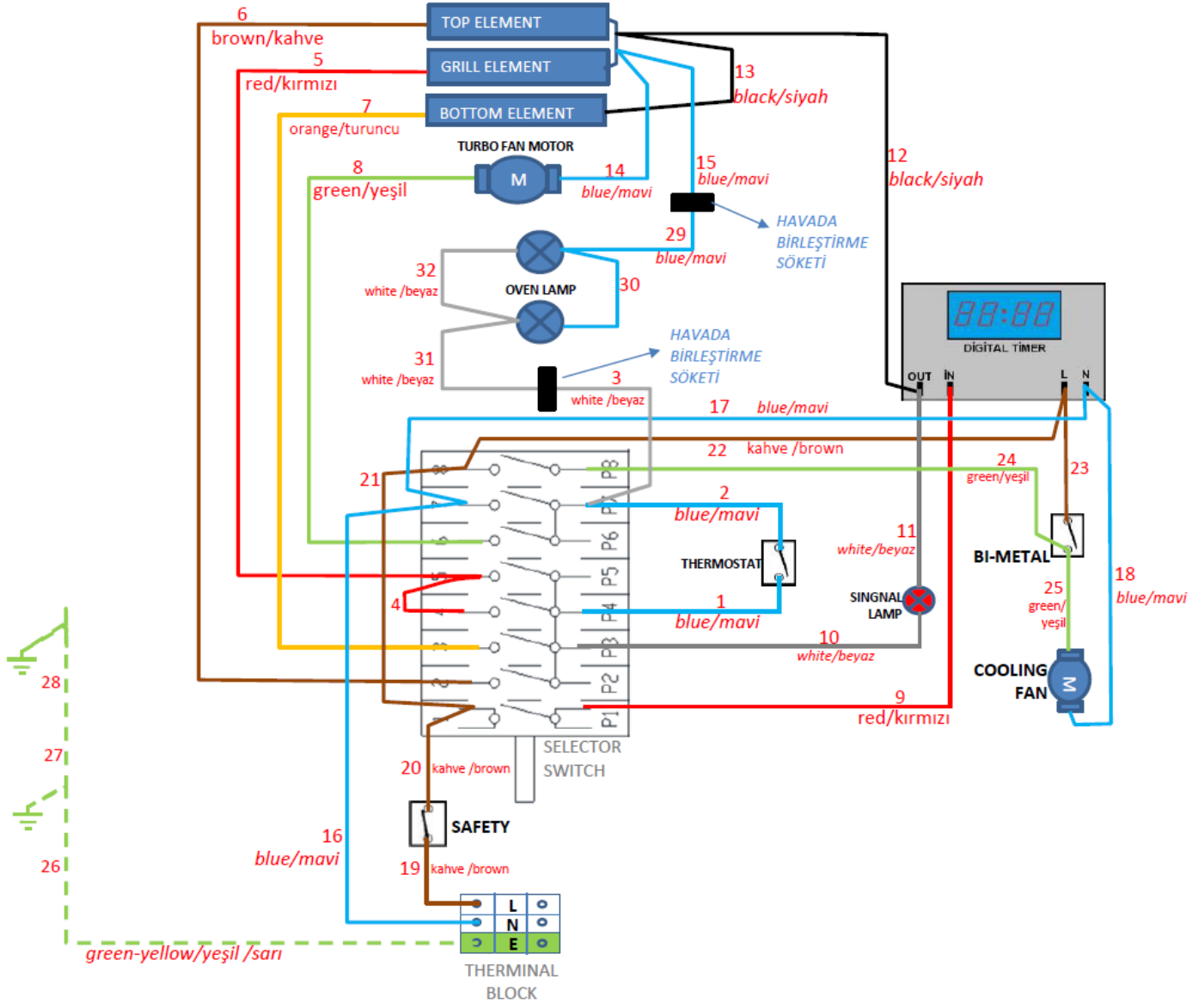
Model pictured: **RHBO67BX**

Model & Parts may vary slightly from images pictured

Parts List

Item	Description	Part Number
68	ROTARY SWITCH 0+7 STEP EGO	H3530200042
89	TIMER DIGITAL TOUCH CONTROL (WHITE SCREEN)	H3530380026
88	THERMOSTAT 50-250 C CAPILARY SHORT	H3530360001
240	PLS.BUTTON OUT CASE-2016	H2010200040
85	LED LAMP WITH CABLE	H3530100001
73	COMMAND PANEL INNER PROFILE BLACK BUILT-IN OVEN	YFA6041SP030028
256	PLASTIC LET GLASS	H2025320029
248	GLASS PANEL 60CM BI.BLACK 8 FNC.NOR.BUT.3 BUTON TOUCH.-2016	H1530120089
80	PLS.BUTTON BI.OVEN Z MODEL BLACK-2016	H2010160026
90	INNER GLASS 60CM BI. OVEN	H1520260023
279	INNER GLASS TOP PLASTIC LEFT	H2025320081
278	INNER GLASS TOP PLASTIC RIGHT	H2025320080
241	FRONT GLASS DOOR TOP PROFILE BLACK 60CM BI. OVEN -2017	YFA6041SP030038
103	FRONT GLASS PRATICAL DOOR RIGHT/LEFT PROFILE BLACK-2016	YFA6041SP030034
96	HINGE FOR FRONT DOOR 60X60 DOUBLE SPRING _63_-2016	H2530120012
116	DOOR HINGE BOTTOM PLASTIC	H2025320082
115	INNER GLASS BOTTOM PLASTIC LEFT	H2025320125
91	FRONT GLASS "ROBIN HOOD"	H1515290100
104	FRONT GLASSBLACK PRT.KAP.LEFT PRF.60cm BI.2016	YFA6041SP030035
114	INNER GLASS BOTTOM PLASTIC RIGHT	H2025320126
273	GLASS MIDDLE 60CM BI.(METAL TOP DECOR)-2016	H1520260020
100	PLS.HANDLE BLACK CONNECTION T2 MODEL	H2025280026
124	HANDLE "T2" MODEL-2016	H2560140054

Wiring diagram



New Zealand

Monaco Corporation Ltd
 Telephone: (09) 415 6000
 Facsimile: (09) 415 7400
 Email: enquiries@robinhood.co.nz
 www.robinhood.co.nz

Australia

Shiro Australia Pty Ltd
 (ABN 28 002 386 129)
 Telephone: 1800 648 556
 Facsimile: 1800 628 577
 Email: enquiries@robinhood.com.au
 www.robinhood.com.au