

Description:

Robinhood 60cm Oven



















Model Numbers:

RHBO64BX, RHBO67BX RHBO69BX



Model may vary slightly from images pictured

Warning and safety information

-  This appliance is not intended for use by persons (including children) with reduced physical, sensory or mental capabilities, or lack of experience and knowledge, unless they have been given supervision or instruction concerning use of the appliance by a person responsible for their safety. Young children should be supervised to ensure that they do not play with the appliance. In certain circumstances electrical appliances may be a safety hazard. Do not leave this oven unattended or unsupervised whilst children or infirmed are present.
-  **WARNING** – Accessible parts will become hot when in use. Young children should be kept away. During use the oven becomes hot. Care should be taken to avoid touching heating elements inside the oven. Do not touch any components during this time, as they may be hot and can cause burns. Use heat resistant cooking gloves where possible when moving food and cooking utensils in and out of the oven.
-  This appliance is supplied with a 10 amp power cable and plug. If the power supply cable is damaged, it must be replaced by the manufacturer or its service agent or similarly qualified person to avoid a hazard (wires minimum areas of 1.5mm²).
-  The oven is not intended to be operated by means of an external timer or separate remote-control system.
-  Do not modify this appliance.
-  Do not use harsh abrasive cleaners or sharp metal scrapers to clean the oven glass doors since they can scratch the surface, which may result in shattering of the glass. Clean the glass door using warm damp cloth and dry it with a soft cloth.
-  Cleaning may only be commenced on the appliance once it has cooled down (best slightly warm). The appliance should be disconnected from the power outlet or turned off at your isolation switch before commencing any cleaning process. Do not use a steam jet or any other high pressure cleaning equipment to clean the appliance. Follow oven cleaner directions if these are being used. **WARNING:** Ensure the appliance is switched off before replacing the lamp to avoid the possibility of electric shock. If you use your oven for an extended period of time, condensation may form. Dry it using a soft dry cloth.
-  Do not place heavy objects in or on these appliances, use for storage or let children play/swing from the door. These appliances are designed for cooking food only. This appliance is designed for domestic household use only and for the cooking of domestic food products. Use as a commercial appliance will void the warranty. It should not be used in a marine environment or outdoors.
-  Ensure that the kitchen is well ventilated or mechanical ventilation is in use while cooking with this appliance.
-  Do not store or use flammable materials or aerosols near the oven. Items made from aluminium, plastic or plastic film should also be kept away from the appliance, as they may fuse to the surface. Never line the oven bottom with aluminium foil, as the consequent accumulation of heat could compromise the cooking and even damage the enamel.
-  **Important: the power supply to the appliance must be turned off before any adjustments or maintenance work.**
-  The appliance must be installed and put in operation by an authorised technician under the conditions provided by the manufacturer in this manual. The manufacturer cannot be held responsible for any damage that might occur due to faulty installation.
-  To ensure the proper working order of the built-in appliance, the kitchen unit must be of a suitable size. The unit panels next to the cooker must be heat resistant. In the case of veneered wood units, glues must be resistant to a temperature of 100°C above ambient temperature. Do not allow electrical fittings or cables to be in contact with hot areas of the appliance.
-  This oven is to be installed in accordance with the local, national building, electrical and plumbing codes. In accordance with safety standards, once the appliance has been mounted, there must be no possible contact with electrical parts. Any protective parts must be secured so that they can only be removed with the use of tools.
-  This oven must not be installed behind a decorative door in order to avoid overheating.
-  The installation of this oven is to be carried out by using only a qualified electrician and must be earthed.
-  The electrical connection must be accessible after installation. The appliance must be electrically isolated before any maintenance can be performed. Electrical connection must be made as per local wiring rules and regulations. Do not disconnect the appliance with wet hands or bare feet, and do not disconnect the power cord with extreme force. If the electricity supply is restricted, means of an all-pole disconnection must be accessible and incorporated in the fixed wiring in accordance with the wiring rules.
-  Where this appliance is installed in a caravan, it shall NOT be used as a space heater.

Installing the built in oven

The adjacent furniture must be able to withstand a minimum temperature rise of 100° C above the ambient temperature of the room it is located in during periods of use. The power supply to the appliance must be cut off before any adjustments or maintenance work is done on it.

PREPARATION FOR INSTALLATION AND USE

Manufactured with best quality parts and materials, this modern, functional and practical oven will meet your needs in all respects. Make sure to read the manual to obtain successful results so as not to experience any problems in the future. The information given below contains rules that are necessary for correct positioning and service operations. They should be read without fail, especially by the technician who will position the appliance.

CHOOSING A PLACE FOR THE APPLIANCES

There are several factors to consider when choosing a place for your oven. Make sure to take into account our recommendations below in order to prevent any problems and dangerous situations which might arise.

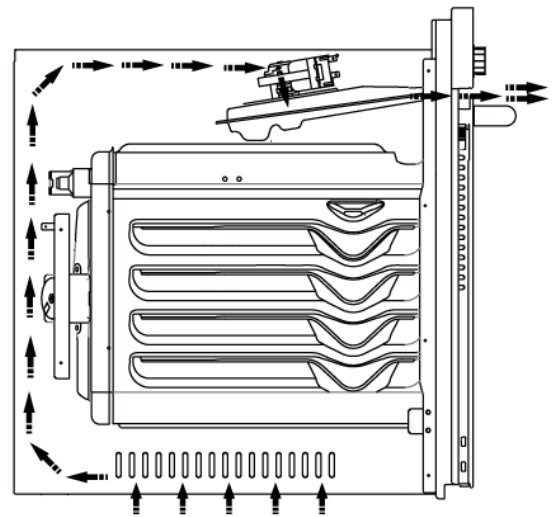
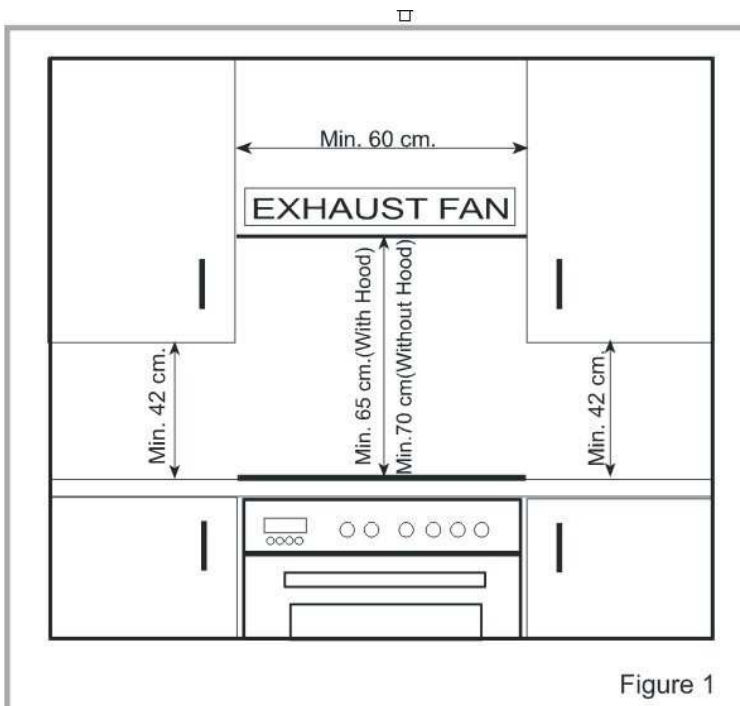
When choosing a place for the oven, attention should be paid to ensure there are no flammable or combustible materials in the close vicinity, such as curtains, oil, cloth etc. which quickly catch fire.

Furniture surrounding the oven or cooktop must be made of materials resistant to temperatures of at least 100 C° .

Required changes to wall cabinets and exhaust fans above a built-in cooktop as well as minimum heights from the oven board are shown below. Accordingly, a range hood should be at a minimum height of 65 cm from the cooktop. If there is no range hood the height should not be less than 70 cm. Refer to the range hood instructions for specific details before installation.

If there is a drawer below the oven, a protective board must be placed between the oven and drawer.

A cooling fan draws air in from the appliance sides to cool the outer surfaces and removes excess steam through the front of the oven (above the door). This fan will continue to operate for some time after the cooking sequence has finished. Ventilation space must be allowed beside and behind the oven; failure to do so can cause damage to both the appliance and surrounding cupboards.



Installation- *continued*

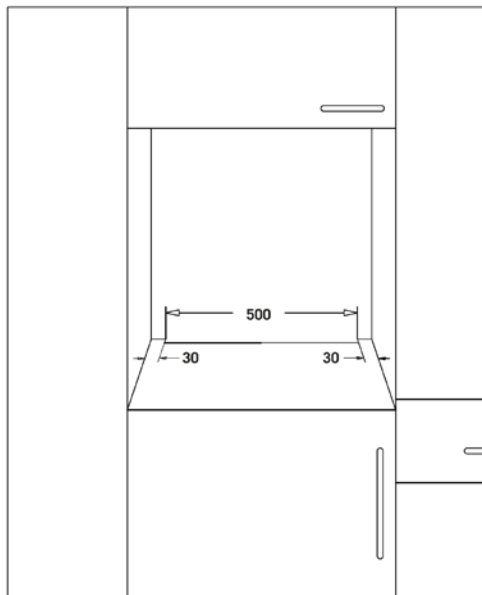
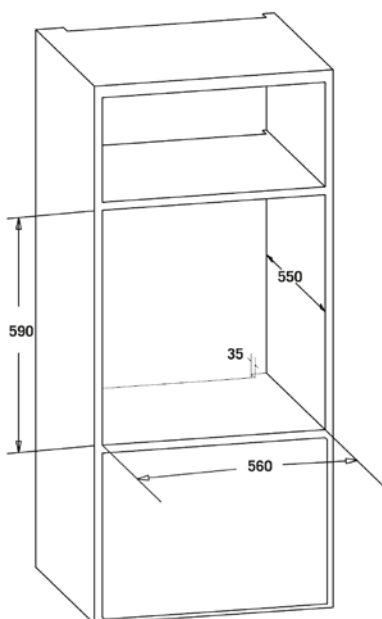
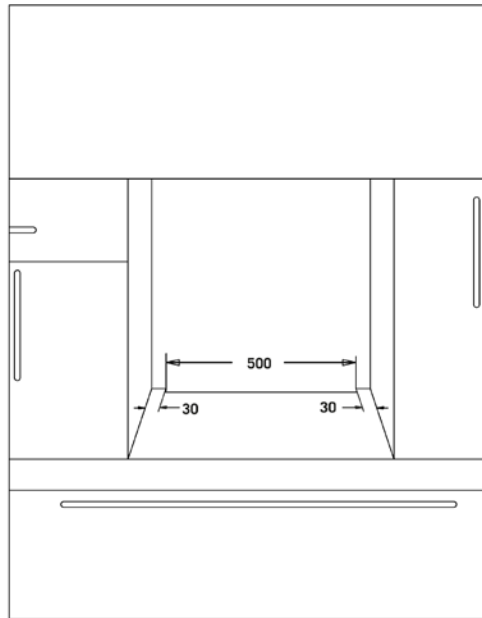
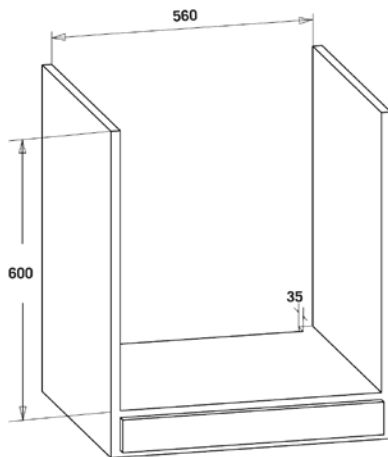
INSTALLATION OF BUILT IN OVEN

Insert the oven into cabinet partly by pushing it forward. Open the oven door and insert 2 screws into the holes on the oven frame. While the product frame touches the wooden surface of the cabinet, tighten the screws.

If the oven is installed below a built-in hob, the distance between the worktop and the top panel of the oven must be a minimum of 50mm, and the distance between the worktop and the top of the oven control panel must be a minimum of 25mm.

The dimensions and material of the cabinet in which the oven will be installed must be correct and resistant to increases in temperature. In a correct installation, contact with electrical or insulated parts must be prevented. Insulating parts need to be fitted in a way to ensure that they cannot be removed by using any kind of tool.

Installing the appliance in the close vicinity of a refrigerator or a deep-freezer is not recommended as the performance of the above-mentioned appliances will be negatively affected due to emanating heat. After removing your oven from its packaging, be sure that the oven is not damaged. If you suspect any damage to the appliance, do not use it; immediately contact an authorised Service Centre.



Electric connection

LOCAL AUTHORITY REQUIREMENTS

Installation is only permitted by a licensed electrician, and carried out according to instructions provided by the manufacturer. Incorrect installation might cause harm and damage which the manufacturer accepts no responsibility.

ELECTRICAL INSTALLATION FOR THE LICENSED ELECTRICIAN

This oven must be connected to a 220-240V 50Hz power supply.

Before carrying out the connection to the power supply, the voltage rating of the appliance (stamped on the appliance identification plate) must be checked for correspondence to the available mains supply voltage, and the mains electric wiring should be suitable for the oven's power rating (also indicated on the appliance identification plate);

The switched outlet must be connected to a suitable earth wiring, in conformity to current safety regulations.

This appliance must be plugged into a 10A switched outlet. It should not be located above the appliance and no more than 1.25m away from it. The power supply cord must not touch any hot surfaces and must be placed so that its temperature does not exceed 75°C at any point along its length. After having installed the appliance, the switched outlet must always be in an accessible position.

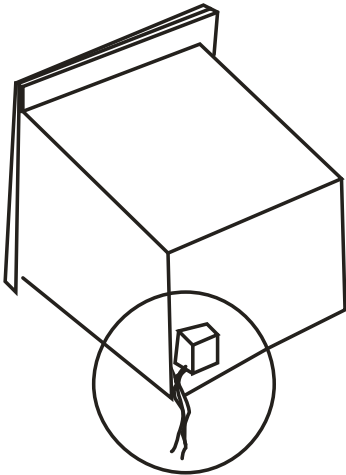
NOTE: For connections to the mains power supply, never use adapters, reductions or multiple power points as these may overheat and catch fire.

The mains terminal block is located on the back of the oven and the terminals are accessible by opening the terminal block cover.

Note: The terminal cover should not be opened when the mains power is still connected to the appliance and never by an unauthorized person.

The electrical safety of this appliance can only be guaranteed if the oven is correctly and efficiently earthed. The manufacturer declines all responsibility for damage resulting from an installation which has not been earthed correctly.

The use of adapters, multiple sockets and/or extensions, is not allowed.

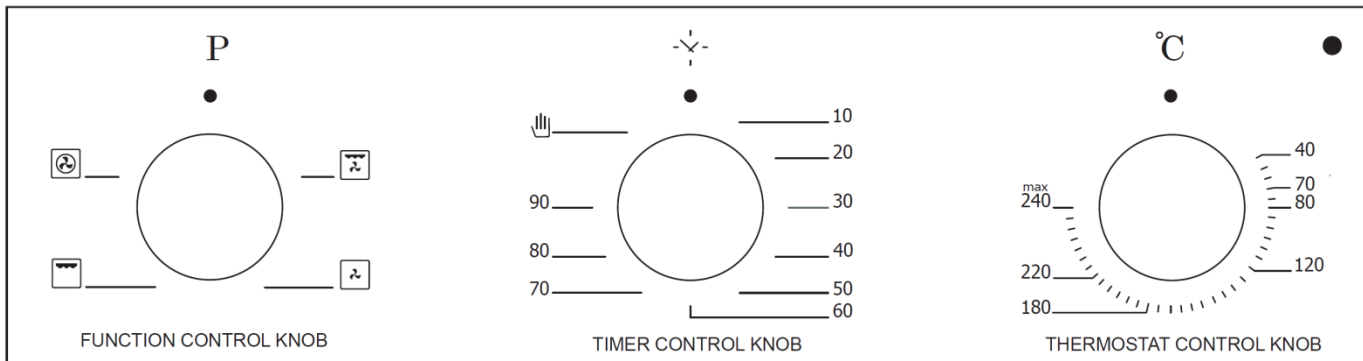


Instruction on use

Control panel features

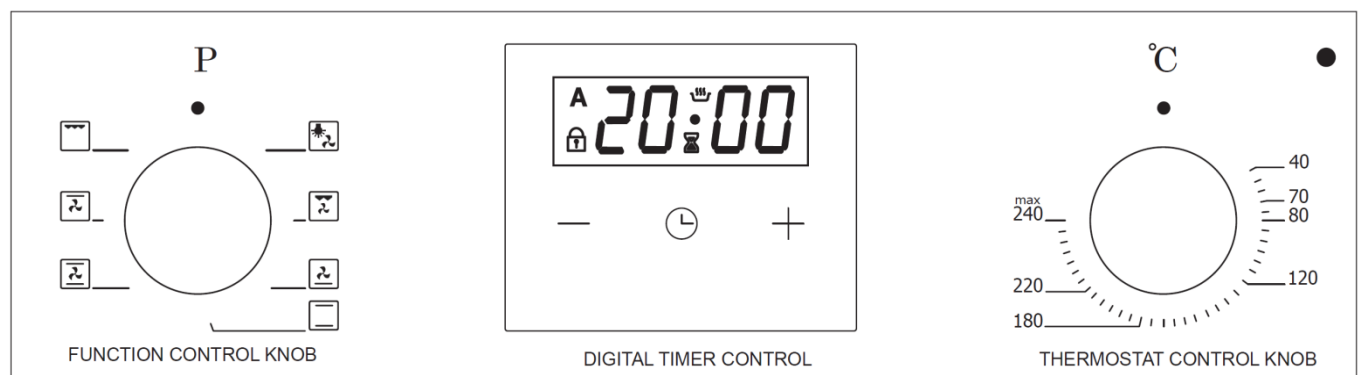
The oven
RHBO64BX

CONTROL PANEL



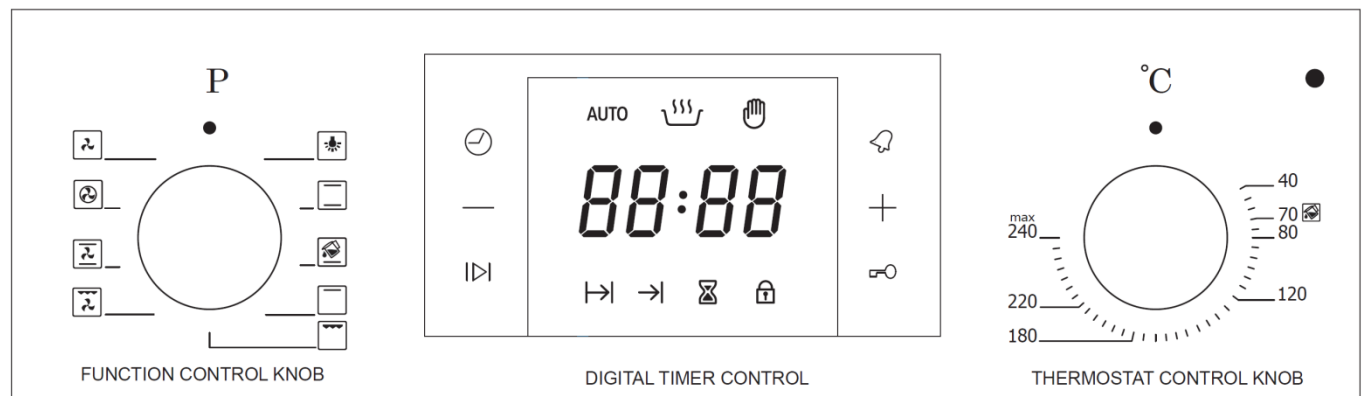
RHBO67BX

CONTROL PANEL



RHBO69BX

CONTROL PANEL



Please take note of the differences between the 3 models in this manual.

When cooking has finished, reset any remaining timer functions to "0", and rotate the other control knobs up to the off position.

Instruction on use

Thermostat control features

The ovens each have a thermostat control knob to the right hand side of the control panel. This is used to set the cooking temperature of the oven (between 40C and 240C). Turn the control knob from the 0C (off) position clockwise to the desired temperature (do not rotate clockwise from the 240C setting).

When the oven is heating up to the desired temperature, the small indicator to the upper right will be lit. When the temperature has been reached, the indicator will turn off (it is normal for this to turn on & off during the course of cooking).

Function control features

The ovens each have a function control knob to the left hand side of the control panel. This is used to select the different functions available on that model oven. When a function is selected, the oven light(s) will turn on (this may be modified depending on the timer function selected). The control knob can rotate clockwise and anti-clockwise through the full range of functions.

Each function and its description is listed below. Take care to understand the functions that are on your particular model oven.



Lamp only (RHBO69BX): This function turns on the internal lights.



Defrost (RHBO64BX, RHBO69BX): This function turns on the rear fan without any heating elements on. The time required to defrost the food depends on the room temperature.



Defrost with light (RHBO67BX): This function works the same as the defrost function above.



Rear element with fan (Fan Forced) (RHBO64BX, RHBO69BX): This function turns on the rear fan and the rear heating element on. The fan helps circulate the heat throughout the oven and allows food on different rack levels to be cooked at the same time.



Conventional cooking (Bake) (RHBO67BX, RHBO69BX): This function turns on the upper & lower heating elements for conventional cooking.



Fan Assist (Fan Bake) (RHBO67BX, RHBO69BX): This function turns on the upper & lower heating elements as well as the rear fan to help circulate the heat more evenly.



Upper element (RHBO69BX): This function turns on the upper heating element (1000W) for a gentle grill function.



Grill (RHBO64BX, RHBO67BX, RHBO69BX): This function turns on the grill element (2000W) for a more powerful grill function.



Upper element with fan (RHBO67BX): This function turns on the upper heating element (1000W) and the rear fan for a gentle grill function with heat recirculated through the oven.



Fan Grill (RHBO67BX): This function turns on the inner grill element (1000W) and the rear fan for a more centralised grill function with heat recirculated through the oven.



Grill with fan (RHBO64BX, RHBO69BX): This function turns on the grill element (2000W) and the rear fan for a more powerful grill function with heat recirculated through the oven.



Lower element with fan (Pizza Function) (RHBO67BX): This function turns on the lower heating element (1200W) and the rear fan for food that needs to cook more from the base.



Steam assisted cleaning (RHBO69BX): This function is used to create steam to assist in cleaning the oven. Remove all accessories from the oven. Place the tray at the lowest position & place 0.5L of water in the tray. Run for 30 minutes at 70C (marked). After 30 minutes, carefully open the door, and clean inner surfaces with a wet cloth (caution: wear heat protective gloves when doing this).

Instructions on use - *continued*

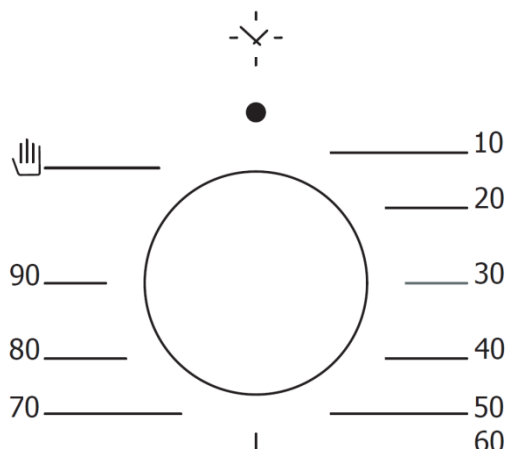
Timer control features

There are three different timer controls used on these ovens.

MANUAL TIMER (RHBO64BX):

To run the oven without using the timer (manual mode), rotate the control knob anticlockwise from off to the hand symbol. To use the timer, place food into the oven, set the function and thermostat, and rotate clockwise to the desired time (maximum of 90 minutes). Do not rotate clockwise past 90, or anticlockwise past the manual mode symbol. The timer can be adjusted while in operation (for example, rotate to "0" to finish timer early).

When the timer has finished, an alarm will sound and the oven will turn off. Reset function & thermostat to off and carefully remove food.



3 BUTTON DIGITAL TIMER (RHBO67BX):



Cooking Status Icon: If lit, oven is cooking or ready to cook. If off, the oven is not cooking.



Minute Minder Icon: If on, the Minute Minder is running. If flashing, the minute minder can be adjusted using the minus & plus buttons. If off, the Minute Minder is not active.



Child Lock Icon: If on, the Child Lock is active. If off, the Child Lock is not active.



Automatic Cooking Icon: If on, a timer function is running. If flashing, a timer function has completed or power has been reset. If off, no timer function is running.



TIME OF DAY ADJUSTMENT

When first turned on (or power has reset), the automatic cooking status icon will flash, indicating the time of day must be set for the oven to run correctly. Turn off oven functions. Press the plus and minus buttons simultaneously for 3 seconds until the digits flash. Adjust the time of day using the plus and minus buttons. The time is set 6 seconds after the last button is pressed (digits stop flashing).

SETTING THE MINUTE MINDER

The minute minder is a timer that does not affect the cooking functions. Maximum length is 10 hours (in minute increments). Press the central timer button once to enter the minute minder mode (the minute minder icon flashes). While the icon is flashing, adjust the minute minder time using the plus and minus buttons. The time is set 6 seconds after the last button is pressed (icon stops flashing), or by pressing the central button once more. When time has elapsed, the buzzer will sound (for 5 minutes) and the minute minder icon flashes. Disable this by pressing any button.

SETTING A SEMI AUTOMATIC COOKING TIMER FUNCTION

This timer function allows cooking to start immediately and finish after a pre-set time (up to 23 hours, 59 minutes). First place food in oven and set the oven function and cooking temperature. Press the central timer button twice. The automatic cooking icon will flash and the display will alternate between "dur" and the duration for cooking. Adjust the duration time with the plus and minus buttons. The duration is set 6 seconds after the last button is pressed (icon stops flashing) and the display will show the current time. When the duration has elapsed, the oven will turn off, the buzzer will sound (for 5 minutes) and the automatic cooking icon flashes. Turn the oven function and thermostat controls off and disable the buzzer by pressing any button.

SETTING A FULLY AUTOMATIC TIMER FUNCTION

This timer function differs from the previous one with the cooking start time delayed. Set up the oven as above and set the duration for cooking. While the display is still flashing, press the central timer button one more time. The display will now alternate between "End" and the duration time. Use the plus and minus buttons to adjust the end time. The function is set 6 seconds after the last button is pressed (icon stops flashing) and the display will show the current time. The oven and oven status icon will turn off (as it is a delayed start) but the automatic cooking icon will continue to flash. When the time to start arrives, the oven and oven status icon will turn on, and the automatic cooking icon will stay on. Once the set duration has elapsed, the oven will turn off, the buzzer will sound (for 5 minutes) and the automatic cooking icon flashes. Turn the oven function and thermostat controls off and disable the buzzer by pressing any button.

CHILD LOCK

The child lock is intended to stop any unauthorised adjustment of the timer functions, and comes on 30 seconds after a timer function is set. To deactivate it (to adjust a timer function), press and hold the central timer button for 3 seconds (the child lock icon will turn off and the buttons can be used).

SETTING THE BUZZER TONE

There are 3 different buzzer tones. To adjust, first press the minus button for 3 seconds. Scroll through the tones by pressing the plus or minus buttons. The last tone heard will be the one set 6 seconds after the last button is pressed.

SETTING THE DISPLAY BRIGHTNESS

There are 8 brightness settings. To adjust, press the plus button for 3 seconds. Scroll through the different settings by pressing the plus or minus buttons. The last brightness setting viewed will be set 6 seconds after the last button is pressed.

6 BUTTON DIGITAL TIMER (RHBO69BX):



Cooking Status Icon: If lit, oven is cooking or ready to cook. If off, the oven is not cooking.



Minute Minder Icon: If on, the Minute Minder is running. If flashing, the minute minder can be adjusted using the minus & plus buttons. If off, the Minute Minder is not active.



Child Lock Icon: If on, the Child Lock is active. If off, the Child Lock is not active.



Automatic Cooking Status Icon: If on, full, or semi auto-cooking is active. If flashing, power has just reset or an auto cooking function has finished. If off, no auto cooking function is active.



Manual Cooking Status: If lit, manual cooking is in progress. If off, auto cooking is in progress.



Semi Automatic Cooking Adjustment Mode Icon: If flashing, semi automatic cooking can be adjusted using the + & - buttons



Full Automatic Cooking Adjustment Mode Icon: If flashing, end time of cooking can be adjusted using the + & - buttons



TIME OF DAY ADJUSTMENT

When first turned on (or power has reset), the automatic cooking status icon will flash, indicating the time of day must be set for the oven to run correctly. Turn off oven functions. Press the clock button (top, left hand side) and the digits start flashing. Adjust the time of day using the plus and minus buttons. The time is set 6 seconds after the last button is pressed (digits stop flashing).

SETTING THE MINUTE MINDER

The minute minder is a timer that does not affect the cooking functions. Maximum length is 23hr, 59min (in minute increments). Press the minute minder button (top right hand side) to enter the minute minder mode (the minute minder icon flashes). While the icon is flashing, adjust the minute minder time using the plus and minus buttons. The time is set 6 seconds after the last button is pressed (icon stops flashing), or by pressing the minute minder button once more. When time has elapsed, the buzzer will sound (for 7 minutes) and the minute minder icon flashes. Disable this by pressing the minute minder button for 3 seconds.

Instructions on use - *continued*

SETTING A SEMI AUTOMATIC COOKING TIMER FUNCTION

This timer function allows cooking to start immediately and finish after a pre-set time (up to 23 hours, 59 minutes). First place food in oven and set the oven function and cooking temperature. Press the automatic timer button (bottom left hand). The automatic cooking status icon will be lit and the digits start flashing (the manual cooking status icon will turn off). Adjust the duration time with the plus and minus buttons. The duration is set 6 seconds after the last button is pressed (icon stops flashing) and the display will show the current time. When the duration has elapsed, the oven will turn off, the buzzer will sound (for 7 minutes) and the automatic cooking status icon flashes. Turn the oven function and thermostat controls off and disable the buzzer by pressing the automatic timer button.

SETTING A FULLY AUTOMATIC COOKING TIMER FUNCTION

This timer function differs from the previous one with the cooking start time delayed. Set up the oven as above and set the duration for cooking. While the display is still flashing, press the automatic timer button (bottom left hand) one more time. The full automatic cooking mode status icon will be lit. Use the plus and minus buttons to adjust the cooking end time. The function is set 6 seconds after the last button is pressed (icon stops flashing) and the display will show the current time. The oven will turn off (as it is a delayed start) but the automatic cooking status icon will stay lit. When the time to start arrives, the oven will turn on, and the automatic cooking icon will stay on. Once the set duration has elapsed, the oven will turn off, the buzzer will sound (for 7 minutes) and the automatic cooking status icon flashes. Turn the oven function and thermostat controls off and disable the buzzer by pressing the automatic timer button.

RESETTING TO MANUAL MODE

Any automatic cooking timer can be cancelled by pressing the automatic timer button (bottom left hand) for 3 seconds. The automatic cooking timer status icon will turn off and the cooking status icon will be lit.

CHILD LOCK

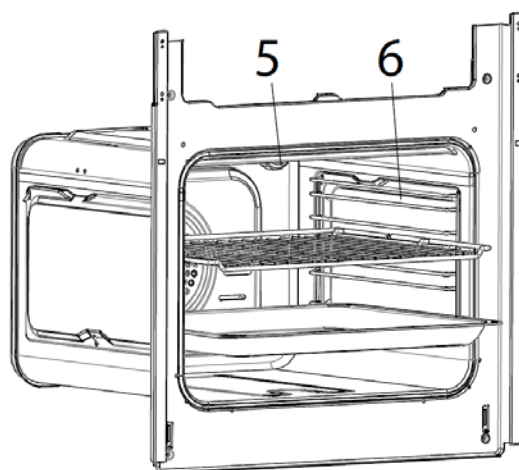
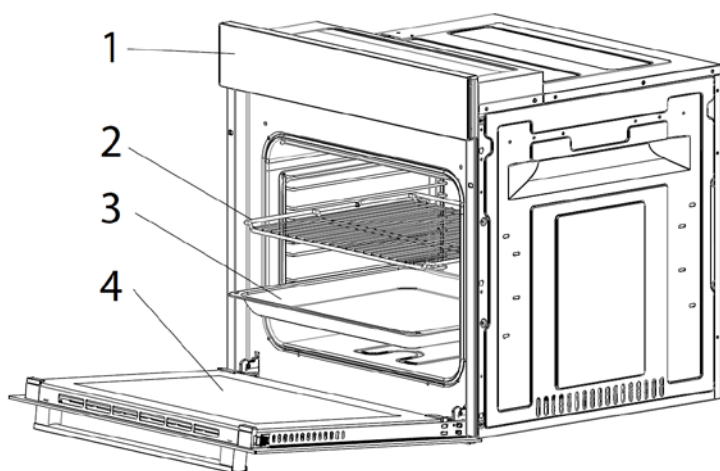
The child lock is intended to stop any unauthorised adjustment of the timer functions, disabling all timer buttons except the child lock button (bottom right hand). Press for 3 seconds to activate it (child lock icon lights up) and again for 3 seconds to disable it (child lock icon turns off).

SETTING THE BUZZER TONE

There are 3 different buzzer tones. To adjust, first press the minus button for 3 seconds. Scroll through the tones by pressing the plus button. The last tone heard will be the one set 6 seconds after the last button is pressed.

Parts & Accessories:

- | | |
|-------------------|---|
| 1. Control Panel. | 4. Triple Layer Glass Door. |
| 2. Wire Rack. | 5. Light (RHBO67BX & RHBO69BX have 2 rectangular Lights). |
| 3. Tray. | 6. Internal Wire Rack (not RHBO64BX). |



Instructions on use - *continued*

Each appliance comes with a single tray and 2 wire racks. Model RHBO64BX has rack supports moulded into the sides of the oven cavity, whereas RHBO67BX & RHBO69BX have removable wire rack supports. The wire racks have built-in steps, which is a safety feature to warn the user when the rack has been almost fully pulled free of the rack supports.

When you first run your oven a certain smell will be emanated arising from the insulation materials and the heater elements. For this reason, before using your oven, run it empty at maximum temperature for 45 minutes. At the same time you need to properly ventilate the environment in which the oven is installed.

In order to cook in your oven, the oven function and temperature setting controls need to be adjusted and the oven timer, if available, needs to be programmed. Otherwise, the oven will not operate.

Unplug your appliance when it is not in use.

Protect your appliance from atmospheric effects. Do not leave it under the effects of the sun, rain, snow, dust etc.

ENERGY SAVING

Choose cookware of an appropriate size. Using a lid will reduce cooking times. Minimize the amount of liquid or fat to reduce cooking times. Oven door should not be opened often during cooking period.

Maintenance and cleaning

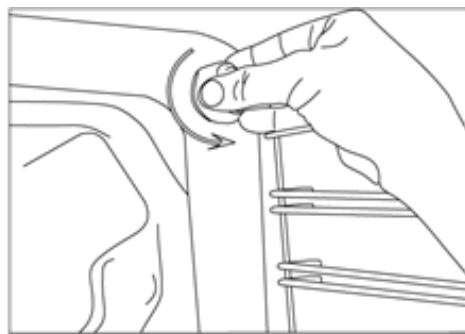
Replacing the light bulb

Before replacing a light bulb, turn off the supply of power to the oven by turning off the circuit breaker connecting it to the mains. Do not turn on the power to the appliance until after the bulb has been changed over & the cover replaced.

RHBO64BX

Remove the glass cover attached to the lamp holder by rotating the glass cover anti-clockwise. Remove the bulb and then replace with a new bulb of a similar rating. Clean any oil and fats that might have collected around the thread of the cover and replace (finger tighten only).

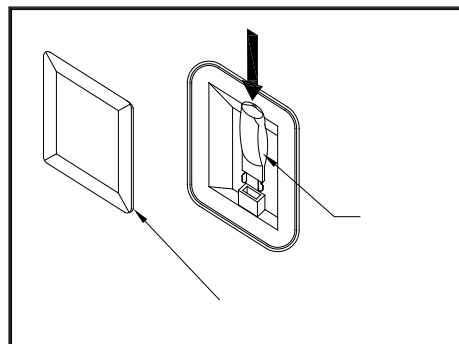
Voltage: AC220V-240V
Wattage: 15W
Socket: E14
Temperature rating: 300 ° C
Or
Voltage: AC220V-240V
Wattage: 18W
Socket: G9 Halogen
Temperature rating: 300 ° C
Note: Do not touch the bulb with bare hands.



RHBO67BX & RHBO69BX

Remove the glass cover attached to the lamp holder with a screwdriver. Remove the lamp and replace it with another high-temperature, halogen lamp (300°C). Remount the glass cover and reconnect the appliance to the power supply.

Voltage: AC220V-240V
Wattage: 18W
Socket: G9
Temperature rating: 300 ° C
Note: Do not touch the bulb with bare hands.



How to keep your oven in good condition

 **Important: Before cleaning your oven, or performing maintenance, disconnect it from the power supply.**

To extend the life of your oven, it must be cleaned frequently, keeping in mind that:

- Do not use steam equipment to clean the appliance
- The enamelled or stainless steel parts should be washed with lukewarm water without using any abrasive powders or corrosive substances which could ruin them; Stainless steel could get stained. If these stains are difficult to remove, use special products available to rinse thoroughly any dry.
- The inside of the oven should preferably be cleaned immediately after use, when it is still warm, with hot water and soap; the soap should be rinsed away and the interior dried thoroughly. Avoid using abrasive detergents (for example cleaning powders) and abrasive sponges for dishes or acids (such as lime scale-remover, etc...) as these could damage the enamel. If the grease spots and dirt are particularly tough to remove, use a special product for oven cleaning, following the instructions provided on the packet.
- If you use your oven for an extended period of time, condensation may form. Dry it using a soft cloth.
- There is a rubber seal surrounding the oven opening which guarantees its perfect functioning. Check the condition of this seal on a regular basis. If necessary, clean it and avoid using abrasive products or objects to do so. Should it become damaged, please contact Customer Service. We recommend you avoid using the oven until it has been repaired.
- Never line the oven bottom with aluminium foil, as the consequent accumulation of heat could compromise the cooking and even damage the enamel.
- Clean the glass door using non-abrasive products or sponges and dry it with a soft cloth.
- Do not use harsh abrasive cleaners or sharp metal scrapers to clean the oven door glass since they can scratch the surface, which may result in shattering of the glass.
- For models with Internal Wire Rack (not RHBO64BX), remove the wire racks before cleaning the inside of the oven by unclipping the racks from the oven cavity walls and lifting out. After cleaning, replace the wire racks by reversing the process.

Troubleshooting

The oven isn't coming on.

- Check that the oven is in manual operation mode.
- Check that you have selected a cooking function and a cooking temperature.

There appears to be no power to the oven and grill.

- Check that the appliance has been connected to the electrical mains supply correctly.
- Check that the mains fuses are in working order.
- Check that the operating instructions for setting the time of day and putting the appliance into manual operation mode have been followed.

The grill function works but the main oven does not.

- Check that you have selected the correct cooking function.

The grill and top oven element is not working, or cuts out for long periods of time during use.

- Allow the oven to cool for approximately 2 hours. Once cool, check whether the appliance is again working properly.

My food is not cooking properly

- Ensure that you are selecting the correct temperature and the correct cooking function for the food that you are cooking. It may be appropriate to adjust your cooking temperature by plus or minus 10° C, to achieve the best cooking results.

My food is not cooking evenly

- Check that the oven has been installed correctly and is level.
- Check that the correct temperatures and shelf positions are being used.

The oven light is not working

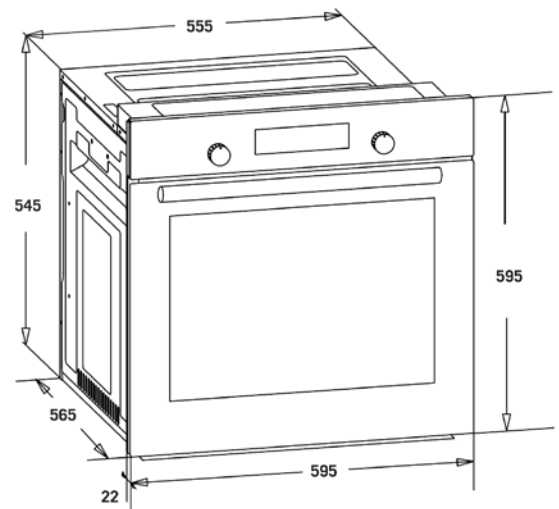
- Refer to previous page and follow the "Replacing the oven bulb" section.

I am getting condensation in my oven

- Steam and condensation is a natural by product of cooking any food with high water content, such as frozen food, chicken etc.
- You may get condensation in the oven cavity and forming between the oven door glasses. This is not necessarily a sign that the oven is not working correctly.
- Do not leave food in the oven to cool after it has been cooked and the oven has been switched off.
- Use a covered container, where practical, when cooking to reduce the amount of condensation that forms.

Technical information


| Model | RHBO64BX | RHBO67BX | RHBO69BX |
|-----------|----------------|----------------|----------------|
| Oven size | 72 litres | 72 litres | 72 litres |
| Width | 595mm | 595mm | 595mm |
| Depth | 565mm | 565mm | 565mm |
| Height | 595mm | 595mm | 595mm |
| Voltage | 220-240 / 50hz | 220-240 / 50hz | 220-240 / 50hz |
| Wattage | 2100W | 2300W | 2300W |




Important information

 The appliance may be built-in and connected to the power supply only by a qualified technician.


 Never use the appliance as a room heater.

 Never use the glass door as a working surface. Sharp objects may damage the glass surface.

 In case any other appliances are plugged in the electric mains close to the oven, prevent contact of the electrical cable with the hot surface areas.

 Never keep any flammable or temperature sensitive objects, like cleaning agents, sprays, detergents, etc., below or near the appliance.

 In case of any malfunction, disconnect the appliance from the power supply and call customer service.

 Do not use high-pressure steam cleaner or hot steam to clean the appliance.

 The appliance is manufactured in compliance with the relevant safety standards.

Warranty Certificate (New Zealand)

Terms and Conditions

The following conditions apply in respect of the warranty given in this certificate:

1. Monaco Corporation Limited ("Monaco") warrants the following Robinhood products against manufacturing defects and faulty materials, under normal use and subject to the exclusions in this certificate, for a period of:
Rangehood, Ovens, Cooktops, Dishwashers - 24 months from date of original purchase for domestic use.
Uniduct – 12 months from date of original purchase for domestic use.
Ironing centre – 12 months from date of original purchase for domestic use.
Taps, including Pull-out and Mixer taps – 5 years on parts only from date of original purchase domestic for use, 24 months parts and labour from date of original purchase for domestic use
Sinks sets– 5 years on stainless steel sink including draining bench from date of original purchase for domestic use, 6 months on all stainless steel accessories, including wire rack, colander and tray from date of original purchase for domestic use.
Laundry Tub - 5 years on stainless bowl, 24 months on Tap, Cabinet and other components from the date of original purchase for domestic use.

"Original purchase", when used in this certificate, means purchase by the customer directly from Monaco or one of its approved suppliers.

2. This warranty is limited to the repair or replacement, at our option, within the warranty period of any component part which we at our discretion determine to contain faulty materials or a manufacturing defect in breach of this warranty. This warranty is subject to terms and conditions set out in this certificate.
3. The warranty only applies within New Zealand.
4. The customer must produce the original invoice or other purchase documentation as proof of the original purchase date.

Warranty exclusions

1. The warranty does not apply where, in Monaco's opinion:
The defect is caused by misuse, wear and tear, dirt, fire or accidental damage.
The product has been repaired or serviced by an unauthorised person.
The product was not installed in accordance with our instructions.
The product was purchased overseas or was not designed for use in New Zealand.
The product was not used, cleaned or cared for in accordance with our instructions.
The product was used outdoors.
2. In addition, this warranty does not extend to damage or defects which in our opinion, directly or indirectly arise from or are due to:
Exposing the product to acidic or corrosive materials or chemicals such as dyes, solvents, denture cleaner or acetone;
Using inappropriate household cleaning products such as abrasive cream or powder cleansers, furniture polish, bleach, mentholated spirits, drain cleaners, sugar soap, metal pads and strongly alkaline or acidic cleaners;
Heat damage, including from washing the product at high temperatures;
Impact or mishandling the product, including the impact caused by objects scraped along, thrown or dropped on the product surface or excessive weight being placed on the product;
Structural or support changes in or affecting the building or the application where the product has been installed;
Failure to clean or maintain the product as recommended; or
any other causes specified in the product information as being excluded from this warranty.
3. Variations with the colour or gloss within the product or any ageing or fading of colour, shine or gloss level over time are not covered by this warranty. The warranty does not cover visual imperfections or blemishes in the surface and edges of the product that were not brought to your supplier's attention at the time you inspected the product.
4. Costs incurred on installation or removal of a product, or any reinstallation of a product, or any associated costs, are not covered by this warranty.
5. Monaco will not be liable for consequential or indirect loss or damage whatsoever and however arising out of or in connection with the supply, performance or removal of the product, including (but not limited to) loss of profit, loss of revenue, loss of contract, loss of goodwill or increased cost of workings, even if due to the negligence of Monaco or any of its approved suppliers, employees or agents.
6. Charcoal filters and light bulbs are not covered by this warranty
7. This warranty and the statements contained in this certificate or other documents given to you do not exclude, restrict or modify the application of any term implied into this warranty by statute, provided that (to the extent any statutory provision permits Monaco to limit its liability for a breach of an implied condition or warranty) Monaco's liability for such breach is limited to the payment of the cost of replacing the product, repairing the product or acquiring an equivalent product.
8. Subject to clause 5, our obligations under this warranty are limited to those set out in this certificate, and this warranty is expressly instead of all other warranties, express or implied, including any implied warranty of merchantability or fitness for a particular purpose and notwithstanding any course of dealing between the parties or custom and usage in trade to the contrary.

Terms and conditions are subject to change.

New Zealand

Monaco Corporation Ltd
Telephone: (09) 415 6000
Facsimile: (09) 415 7400
Email: customer@monacocorp.co.nz
www.robinhood.co.nz



Warranty Certificate (Australia)

Terms and Conditions

If you are a consumer under the Australian Consumer Law, our goods come with guarantees that cannot be excluded under the Australian Consumer Law. You are entitled to a replacement or refund for a major failure and for compensation for any other reasonably foreseeable loss or damage. You are also entitled to have the goods repaired or replaced if the goods fail to be of acceptable quality and the failure does not amount to a major failure

1. Shiro Australia Pty Limited ("Shiro") also warrants the following Robinhood products against manufacturing defects and faulty materials, under normal use and subject to the exclusions in this certificate, for a period of:

Rangehood, Ovens, Cooktops, Dishwashers - 24 months from date of original purchase for domestic use.

Uniduct – 12 months from date of original purchase for domestic use.

Ironing centre – 12 months from date of original purchase for domestic use.

Taps, including Pull-out and Mixer taps – 5 years on parts only from date of original purchase domestic for use, 24 months parts and labour from date of original purchase for domestic use

Sinks sets– 5 years on stainless steel sink including draining bench from date of original purchase for domestic use, 6 months on all stainless steel accessories, including wire rack, colander and tray from date of original purchase for domestic use.

Laundry Tub - 5 years on stainless bowl, 24 months on Tap, Cabinet and other components from the date of original purchase for domestic use. "Original purchase", when used in this certificate, means purchase by the customer directly from Shiro or one of its approved suppliers.

2. This warranty is limited to the repair or replacement, at our option, within the warranty period of any component part which we at our discretion determine to contain faulty materials or a manufacturing defect in breach of this warranty. This warranty is subject to terms and conditions set out in this certificate.

3. The warranty only applies within Australia.

4. For warranty service outside of capital city metropolitan area or 30 km from nearest authorised service agent you will be liable for reasonable travelling expenses and the cost of transport of the product or parts to and from the service agent

5. To make a claim under this warranty, you must produce the original invoice or other purchase documentation as proof of the original purchase date. You must send your claim to Shiro Australia Pty Limited, 104 Vanessa Street, Kingsgrove NSW 2208 within 7 days of any alleged defect or failure of the product first becoming apparent, you are responsible for the expense of making a claim under this warranty.

This warranty is given by:

Shiro Australia Pty Ltd

ABN 28 002 386 129

Telephone: 1800 648 556

Facsimile: 1800 628 577

Email: customercare@shiro.com.au

www.robinhood.com.au

Attention Customer Services Manager

Warranty exclusions

1. The warranty does not apply where, in Shiro's opinion:

The defect is caused by misuse, wear and tear, dirt, fire or accidental damage.

The product has been repaired or serviced by an unauthorised person.

The product was not installed in accordance with our instructions.

The product was purchased overseas or was not designed for use in Australia.

The product was not used, cleaned or cared for in accordance with our instructions.

The product was used outdoors.

2. All Robinhood Rangehoods are suitable for indoor use only and not suitable over BBQs or charcoal cookers designed for outdoor use.

3. In addition, this warranty does not extend to damage or defects which in our opinion, directly or indirectly arise from or are due to: exposing the product to acidic or corrosive materials or chemicals such as dyes, solvents, denture cleaner or acetone; using inappropriate household cleaning products such as abrasive cream or powder cleansers, furniture polish, bleach, mentholated spirits, drain cleaners, sugar soap, metal pads and strongly alkaline or acidic cleaners; heat damage, including from washing the product at high temperatures;

impact or mishandling the product, including the impact caused by objects scraped along, thrown or dropped on the product surface or excessive weight being placed on the product; structural or support changes in or affecting the building or the application where the product has been installed; failure to clean or maintain the product as recommended; or any other causes specified in the product information as being excluded from this warranty.

4. Variations with the colour or gloss within the product or any ageing or fading of colour, shine or gloss level over time are not covered by this warranty. The warranty does not cover visual imperfections or blemishes in the surface and edges of the product that were not brought to your supplier's attention at the time you inspected the product.

5. We will not be responsible under this warranty for, nor pay the costs of, removing the existing product, or reinstalling the new product, or any associated costs or damages.

6. Charcoal filters and light bulbs are not covered by this warranty

The benefits given by this warranty are in addition to other rights and remedies of consumers under any law in relation to the goods which cannot be excluded.

This warranty certificate is not intended to create a contract between Shiro Australia Pty Limited and the purchaser.

Australia

Shiro Australia Pty Ltd

ABN 28 002 386 129

Telephone: 1800 648 556

Facsimile: 1800 628 577

Email: customercare@shiro.com.au

www.robinhood.com.au

