

Description:

Robinhood Bar Fridge 126L White

Model Numbers:

RHbfd126w



Model Pictured: RHBD126W

INSTALLATION, OPERATION AND MAINTENANCE INSTRUCTIONS FOR ROBINHOOD BAR FRIDGE

RHBFD126W

CONGRATULATIONS

Thank you for choosing one of our refrigeration appliances. We are confident that you will now be able to meet your food & beverage storage needs. Before you use the bar fridge we strongly recommend that you read though the whole user manual which provides the description of this product and the proper use of its functions.

To avoid the ever-present risks involved with using an electrical appliance it is vital that the bar fridge is installed correctly and that you read the safety instructions carefully to avoid misuse and hazards. It is important that you retain these instructions and your proof of purchase along with any other important documents about this product for future reference.

Due to continual product development, Robinhood reserves the right to alter specifications or appearances without notice.

CONTENTS

SECTION	PAGE NO.
Important Safety Instructions	2
Installation	3
Appliance Details	4
Care and Maintenance	5
Trouble Shooting	6
Data Label and Diagram	7

DISPOSAL INFORMATION

- Most of the packing materials are recyclable. Please dispose of these materials through your local recycling depot or by placing them in appropriate collection containers.
- If you wish to discard this product, please contact your local authorities and ask for the correct method of disposal.

IMPORTANT SAFETY INSTRUCTIONS

Read the assembly instruction section and safety precautions of this booklet carefully before removing the contents of this carton.

1. This appliance is not intended for use by persons (including children) with reduced physical, sensory or mental capabilities, or lack of experience or knowledge, unless they have been given supervision or instruction concerning the use of the appliance by a person responsible for their safety. Young children should be supervised to insure that they do not play with the appliance.
2. In certain circumstances electrical appliances may be a safety hazard.
3. Do not place heavy objects on this appliance.
4. The appliance is not intended to be operated by means of an external timer or separate remote control system.
5. Electrical connection must be made as per local wiring rules and regulations. Do not disconnect the appliance with wet hands and do not disconnect the power cord with extreme force. Do not coil the cord while in use but keep any excess cord to the back of the appliance. Take care that the power socket is accessible.
6. The appliance should be unplugged when not in use and before any maintenance is carried out on the appliance.
7. If the supply cord is damaged, it must be replaced by the manufacturer, its Authorised Service Centre or a similarly qualified person in order to avoid a hazard.
8. Warning: Ensure that the ventilation openings, in the appliance enclosure or in the built-in structure, are not obstructed. Follow the installation requirements in this manual. Avoid prolonged exposure to direct sunlight.
9. Warning: Do not use mechanical devices or other means to accelerate the defrosting process, other than those recommended by the manufacturer.
10. Warning: Do not damage the refrigerant circuit.
11. Warning: Do not use electrical appliances inside the food storage compartments of the appliance.
12. Do not store explosive substances such as aerosol cans with flammable propellant in this appliance. Do not modify this appliance.
13. This appliance must be correctly installed by a suitably qualified person, strictly in accordance with the manufacturer's instructions. Please see the specific section of this booklet that refers to installation.
14. When disposing of this appliance, please do so according to local regulations as it contains flammable gas & refrigerant.
15. Do not place hot items on plastic areas of appliance. Do not refreeze food once defrosted. Store pre-packed frozen food in accordance to the manufactures instructions. Take care when freezing liquids as sealed containers can explode under pressure.



**DO NOT
DO NOT
DO NOT**

**OPERATE THIS APPLIANCE BEFORE READING THE INSTRUCTION
BOOKLET PLACE ARTICLES ON OR AGAINST THIS APPLIANCE
STORE CHEMICALS OR FLAMMABLE MATERIALS OR SPRAY AEROSOLS
NEAR THIS APPLIANCE**

This appliance is intended to be used in household and similar applications such as:

- Staff kitchen areas in shops, offices and other working environments;
- Farm houses and by clients in hotels, motels and other residential type environments;
- Bed & breakfast type environments;
- Catering and similar non-retail applications.

INSTALLATION

UNPACKING THE APPLIANCE

Remove the external & internal packaging.

When unpacking the appliance please check for any damage. If damage is found, do not connect to the power source and contact the Authorised Service Provider. Check that the following items are contained within the packaging:

- 1 adjustable shelf
- 1 small glass shelf

Before connecting the appliance to the power source, let it stand upright for approximately 4 hours. This will reduce the possibility of a malfunction in the cooling system from handling during transportation. Remove any protective film from the outer surface.

Clean the interior surface with lukewarm water using a soft cloth.

INSTALLING THE REFRIGERATOR

This appliance is designed to be free standing only, and should not be recessed or built-in.

Place your appliance on a solid, level floor that is strong enough to support the appliance when it is fully loaded. Use the adjustable feet at the bottom of the appliance to compensate for any unevenness of the floor.

Allow at least 10 cm of space around the back and sides of the appliance, which allows the proper air circulation, and at least 20cm above the unit.

Locate the appliance away from direct sunlight and sources of heat (stove, heater, radiator, etc.). Direct sunlight may affect the acrylic coating and heat sources may increase electrical consumption. Extreme cold ambient temperatures may also cause the appliance not to perform properly. Avoid locating the appliance in moist areas.

Plug the appliance into an exclusive, properly installed-grounded wall outlet. Do not under any circumstances cut or remove the third (ground) prong from the power cord. Any questions concerning power and/or grounding should be directed toward a certified electrician or an Authorised Service Centre.

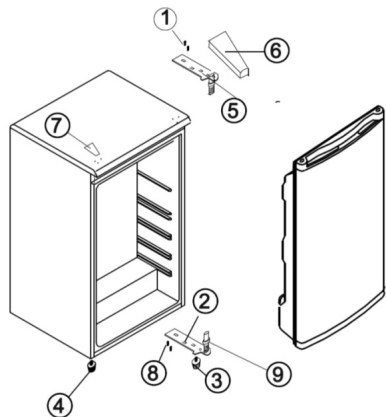
After plugging the appliance into a wall outlet (220-240V 50Hz), allow the unit to cool down for 2~3 hours before placing food in the freezer and refrigeration compartments.

If moving the appliance, avoid tilting the appliance more than 45°. At no time should the appliance be turned upside down.

ADJUSTING THE DOOR

The door can be adjusted to open from either the left or right hand side. Follow the instructions below (this is structured to transfer the door hinges from the right hand side to the left hand side):

1. Remove the upper hinge cover (6) and remove the upper hinge (5) by unscrewing the two screws (1).
2. Lift the door away and place in a safe position where it won't get damaged.
3. Remove the lower hinge (2) by unscrewing the two screws (8).
4. Remove the left leg (4) and fix it to the right hand side.
5. Remove the screw hole cover (7) from the top left hand side and place it on the top right hand side.
6. Remove the lower hinge pin (9) and reverse the direction of the lower hinge. Screw the lower hinge (2) back using the two screws (8) to the lower left hand corner. Place the lower hinge pin back in to the lower hinge.
7. Place the door back onto the lower hinge pin. Place the upper hinge (5) pin into the top of the door, even the door up to the top of the appliance and fix the upper hinge in place using the two screws (1). Place the upper hinge cover (6) over the upper hinge.



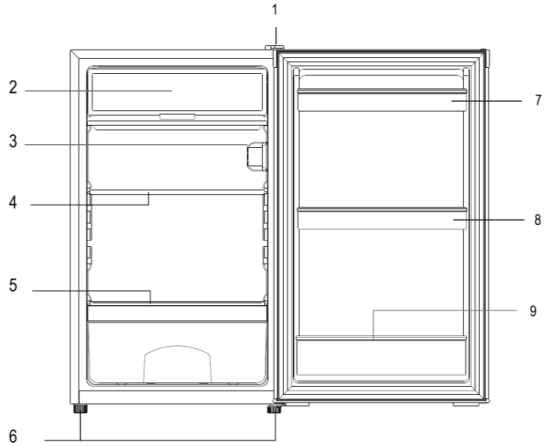
APPLIANCE DETAILS

ELECTRICAL DETAILS:

Rated Voltage: 220-240 Vac 50 Hz.
Supply Connection: 10 A domestic socket.
Max Rated Inputs: See data label on unit.

This information can be found on the rating plate (data label) affixed to the rear of the appliance

Dimensions (WxDxH): 495x560x828mm
Weight: 23kg

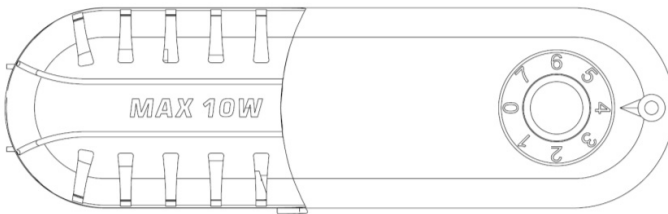


1. Door Hinge.
2. Freezer Compartment.
3. Thermostat Control.
4. Adjustable Shelf.
5. Small Glass Shelf.
6. Adjustable Feet.
7. Upper Door Shelf
8. Central Door Shelf
9. Lower Door Shelf

OPERATING INSTRUCTIONS

Once plugged into the power supply and turned on, adjust the thermostat control to the coldest setting (7) and allow the appliance to run for 2-3 hours before placing any food inside. Adjust the thermostat to the central mark (3-4) and then adjust up or down to suit the food inside, the room temperature, introduction of large amounts of warm food, number of times door is opened etc.

To turn off, adjust the setting to 0.



During use, moisture from the air & food can collect inside the appliance forming a layer of ice. Ice will limit the transfer of heat out of the appliance. If this becomes more than 2mm thick, the appliance should be defrosted. Turn the thermostat to 0 & remove any food from the freezer compartment and refrigerator. Open the outer door & prop open the freezer compartment door. Allow the ice to melt and let water collect in the tray under the freezer compartment. Discard any water and ice and replace tray. To speed up the process, a bowl of warm water (~50°C) can be placed inside the compartment. Do not scrape ice from the compartment walls & do not use any other heating devices (as it is a safety hazard and may damage the appliance).

CARE AND MAINTENANCE

CLEANING THE APPLIANCE

Upon installation of your new appliance, it is recommended that it be cleaned thoroughly, and cleaned once a month after that.

To clean the appliance, first turn the thermostat to 0, turn off the power, unplug from the power socket and remove all food and shelving.

Wash the inside with a damp warm cloth containing a water and baking soda solution. The solution should be about 2 tablespoons of baking soda to a quart of water.

Wash the shelving with a mild detergent solution.

Be sure to keep the door gasket (seal) clean to keep the unit running efficiently.

The outside of the appliance should be cleaned with mild detergent and warm water.

Dry the interior and exterior with a soft cloth.

It is recommended that the unit be cleaned each time it is defrosted to help keep the unit odour free and running efficiently.

Do not use oils, abrasive cleaners, petroleum products, acids or alkaline detergents, as they can damage the appliance.

MOVING THE APPLIANCE

Remove all the food.

Securely tape down all loose items inside the appliance.

Tape the doors shut.

Be sure the appliance stays in the upright position during transportation.

ENERGY SAVING TIPS

The appliance should be located in the coolest area of the room, away from heat producing appliances or heating ducts, and out of the direct sunlight.

Let hot foods cool to room temperature before placing in the appliance. Overloading the appliance forces the compressor to run longer. Foods that cool or freeze too slowly may lose quality, or spoil.

Be sure to wrap foods properly, and wipe containers dry before placing them in the appliance. This cuts down on frost build-up inside the freezer and bad odours.

The freezer compartment should not be lined with aluminium foil, wax paper, or paper towels. Liners interfere with cold air circulation, making the freezer less efficient.

Organize and label food to reduce door openings and extended searches. Remove as many items as needed at one time, and close the door as soon as possible.

When adding fresh food, try to add it to the bottom of the freezer, surrounded by food that is already frozen. After adding fresh food to the freezer, allow 24 hours for it to be fully frozen before adding any more fresh food.

TROUBLESHOOTING

PROBLEM	POSSIBLE CAUSE
Appliance does not operate.	Not plugged in. The circuit breaker tripped or a blown fuse.
Compressor turns on and off frequently.	The room temperature is hotter than normal. A large amount of food has been added to the freezer. The door is open too often, or not fully closed. The temperature control is not set correctly. The door gasket does not seal properly. The appliance does not have the correct clearances. The appliance has recently been disconnected for a period of time. Four hours are required for the appliance to cool down completely.
Temperature inside the appliance is too warm.	Temperature control is set too warm. Turn the control to a cooler setting and allow several hours for the temperature to stabilize. Door is kept open too long or opened too frequently. Open the door less. The door is not closed completely. The door gasket does not seal properly. A large amount of warm or hot food might have been stored recently. Wait until the appliance has had a chance to reach its selected temperature. The appliance has recently been disconnected for a period of time. Four hours are required for the appliance to cool down completely.
Temperature inside the appliance is too cold.	Temperature control is set too cold. Turn the control to a warmer setting and allow several hours for the temperature to stabilize.
Popping or cracking sound when compressor comes on.	Metal parts undergo expansion and contraction, as in hot water pipes. This is normal. Sound will level off or disappear as freezer continues to run.
Bubbling or gurgling sound, like water boiling.	Refrigerant (used to cool appliance) is circulating throughout the system. This is normal.
Vibrations.	Check to assure that the appliance is level. Floor is uneven or weak. Appliance rocks on the floor when it is moved slightly. Be sure floor can adequately support appliance. Level the appliance by adjusting the adjustable feet. The appliance is touching the wall. Re-level the appliance and move it from the wall. See "Installation Instructions".
Moisture forms on inside freezer walls.	Weather is hot and humid, which increases internal rate of frost build-up. This is normal. Door is slightly open. Door is kept open too long, or is opened too frequently. Open the door less often. The door is not sealed properly.
Moisture forms on outside of appliance.	Door is slightly open, causing cold air from inside the freezer to meet warm moist air from outside.
The door will not close properly.	The appliance is not level. The gasket is dirty.



IMPORTANT: If your appliance appears not to be operating correctly, turn off the appliance at the switch and then contact the Service Department.
DO NOT ATTEMPT TO REPAIR THE APPLIANCE YOURSELF.

The appliance must be accessible for a qualified person to perform any necessary repair.

To replace the globe (220-240V AC, 10W E14), first turn the appliance off and unplug from the power source. Remove the drip tray. Push the clear cover towards the back of the appliance and remove. Unscrew the globe and replace. Align the cover with the mounting and pull forward to clip in place. Replace the drip tray.

DATA LABEL & ELECTRICAL DIAGRAM

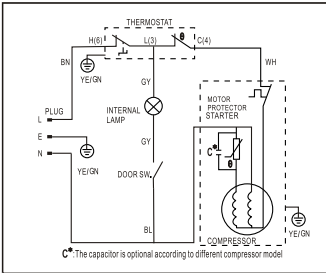
 **Robinhood**

Model No. **RHbfd126W**

Gross volume: 126L

Storage volume: 124L

BAR FRIDGE



220 - 240V ~ 50Hz

Rated current: 0.55A

Rated power of lamp: 10W

Energy consumption: 0.698kW.h/24h

Climate class: T

Refrigerant: R600a(29g)

Insulation blowing gas: Cyclopentane

Made in China



Caution: Risk of fire



5125

Warranty Certificate (New Zealand)

Terms and Conditions

The following conditions apply in respect of the warranty given in this certificate:

1. Monaco Corporation Limited ("Monaco") warrants the following Robinhood products against manufacturing defects and faulty materials, under normal use and subject to the exclusions in this certificate, for a period of:
Rangehood, Ovens, Cooktops, Dishwashers, Refrigeration - 24 months from date of original purchase for domestic use.
Uniduct – 12 months from date of original purchase for domestic use.
Ironing centre – 12 months from date of original purchase for domestic use.
Sinks sets– 5 years on stainless steel sink including draining bench from date of original purchase for domestic use, 6 months on all stainless steel accessories, including wire rack, colander and tray from date of original purchase for domestic use.
Laundry Tub - 5 years on stainless bowl, 24 months on Tap, Cabinet and other components from the date of original purchase for domestic use.

"Original purchase", when used in this certificate, means purchase by the customer directly from Monaco or one of its approved suppliers.

2. This warranty is limited to the repair or replacement, at our option, within the warranty period of any component part which we at our discretion determine to contain faulty materials or a manufacturing defect in breach of this warranty. This warranty is subject to terms and conditions set out in this certificate.
3. The warranty only applies within New Zealand.
4. The customer must produce the original invoice or other purchase documentation as proof of the original purchase date.

Warranty exclusions

1. The warranty does not apply where, in Monaco's opinion:
The defect is caused by misuse, wear and tear, dirt, fire or accidental damage.
The product has been repaired or serviced by an unauthorised person.
The product was not installed in accordance with our instructions.
The product was purchased overseas or was not designed for use in New Zealand.
The product was not used, cleaned or cared for in accordance with our instructions.
The product was used outdoors.
2. In addition, this warranty does not extend to damage or defects which in our opinion, directly or indirectly arise from or are due to:
Exposing the product to acidic or corrosive materials or chemicals such as dyes, solvents, denture cleaner or acetone;
Using inappropriate household cleaning products such as abrasive cream or powder cleansers, furniture polish, bleach, mentholated spirits, drain cleaners, sugar soap, metal pads and strongly alkaline or acidic cleaners;
Heat damage, including from washing the product at high temperatures;
Impact or mishandling the product, including the impact caused by objects scraped along, thrown or dropped on the product surface or excessive weight being placed on the product;
Structural or support changes in or affecting the building or the application where the product has been installed;
Failure to clean or maintain the product as recommended; or
any other causes specified in the product information as being excluded from this warranty.
3. Variations with the colour or gloss within the product or any ageing or fading of colour, shine or gloss level over time are not covered by this warranty. The warranty does not cover visual imperfections or blemishes in the surface and edges of the product that were not brought to your supplier's attention at the time you inspected the product.
4. Costs incurred on installation or removal of a product, or any reinstallation of a product, or any associated costs, are not covered by this warranty.
5. Monaco will not be liable for consequential or indirect loss or damage whatsoever and however arising out of or in connection with the supply, performance or removal of the product, including (but not limited to) loss of profit, loss of revenue, loss of contract, loss of goodwill or increased cost of workings, even if due to the negligence of Monaco or any of its approved suppliers, employees or agents.
6. Charcoal filters and light bulbs are not covered by this warranty.
7. This warranty and the statements contained in this certificate or other documents given to you do not exclude, restrict or modify the application of any term implied into this warranty by statute, provided that (to the extent any statutory provision permits Monaco to limit its liability for a breach of an implied condition or warranty) Monaco's liability for such breach is limited to the payment of the cost of replacing the product, repairing the product or acquiring an equivalent product.
8. Subject to clause 5, our obligations under this warranty are limited to those set out in this certificate, and this warranty is expressly instead of all other warranties, express or implied, including any implied warranty of merchantability or fitness for a particular purpose and notwithstanding any course of dealing between the parties or custom and usage in trade to the contrary.

Terms and conditions are subject to change.

Warranty Certificate (Australia)

Terms and Conditions

If you are a consumer under the Australian Consumer Law, our goods come with guarantees that cannot be excluded under the Australian Consumer

Law. You are entitled to a replacement or refund for a major failure and for compensation for any other reasonably foreseeable loss or damage. You are

also entitled to have the goods repaired or replaced if the goods fail to be of acceptable quality and the failure does not amount to a major failure

1. Shriro Australia Pty Limited ("Shriro") also warrants the following Robinhood products against manufacturing defects and faulty materials, under normal use and subject to the exclusions in this certificate, for a period of:

Rangehood, Ovens, Cooktops, Dishwashers, Refrigeration - 24 months from date of original purchase for domestic use.

Uniduct - 12 months from date of original purchase for domestic use.

Ironing centre - 12 months from date of original purchase for domestic use.

Sinks sets - 5 years on stainless steel sink including draining bench from date of original purchase for domestic use, 6 months on all stainless steel accessories, including wire rack, colander and tray from date of original purchase for domestic use.

Laundry Tub - 5 years on stainless bowl, 24 months on Tap, Cabinet and other components from the date of original purchase for domestic use. "Original purchase", when used in this certificate, means purchase by the customer directly from Shriro or one of its approved suppliers.

2. This warranty is limited to the repair or replacement, at our option, within the warranty period of any component part which we at our discretion determine to contain faulty materials or a manufacturing defect in breach of this warranty. This warranty is subject to terms and conditions set out in this certificate.

3. The warranty only applies within Australia.

4. For warranty service outside of capital city metropolitan area or 30 km from nearest authorised service agent you will be liable for reasonable travelling expenses and the cost of transport of the product or parts to and from the service agent

5. To make a claim under this warranty, you must produce the original invoice or other purchase documentation as proof of the original purchase date. You must send your claim to Shriro Australia Pty Limited, 104 Vanessa Street, Kingsgrove NSW 2208 within 7 days of any alleged defect or failure of the product first becoming apparent, you are responsible for the expense of making a claim under this warranty.

This warranty is given by:

Shriro Australia Pty Ltd

ABN 28 002 386 129

Telephone: 1800 648 556

Facsimile: 1800 628 577

Email: enquiries@robinhood.com.au

www.robinhood.com.au

Attention Customer Services Manager

Warranty exclusions

1. The warranty does not apply where, in Shriro's opinion:

The defect is caused by misuse, wear and tear, dirt, fire or accidental damage.

The product has been repaired or serviced by an unauthorised person.

The product was not installed in accordance with our instructions.

The product was purchased overseas or was not designed for use in Australia.

The product was not used, cleaned or cared for in accordance with our instructions.

The product was used outdoors.

2. All Robinhood Rangehoods are suitable for indoor use only and not suitable over BBQs or charcoal cookers designed for outdoor use.

3. In addition, this warranty does not extend to damage or defects which in our opinion, directly or indirectly arise from or are due to: exposing the product to acidic or corrosive materials or chemicals such as dyes, solvents, denture cleaner or acetone; using inappropriate household cleaning products such as abrasive cream or powder cleansers, furniture polish, bleach, mentholated spirits, drain cleaners, sugar soap, metal pads and strongly alkaline or acidic cleaners; heat damage, including from washing the product at high temperatures; impact or mishandling the product, including the impact caused by objects scraped along, thrown or dropped on the product surface or excessive weight being placed on the product; structural or support changes in or affecting the building or the application where the product has been installed; failure to clean or maintain the product as recommended; or any other causes specified in the product information as being excluded from this warranty.

4. Variations with the colour or gloss within the product or any ageing or fading of colour, shine or gloss level over time are not covered by this warranty. The warranty does not cover visual imperfections or blemishes in the surface and edges of the product that were not brought to your supplier's attention at the time you inspected the product.

5. We will not be responsible under this warranty for, nor pay the costs of, removing the existing product, or reinstalling the new product, or any associated costs or damages.

6. Charcoal filters and light bulbs are not covered by this warranty

The benefits given by this warranty are in addition to other rights and remedies of consumers under any law in relation to the goods which cannot be excluded.

This warranty certificate is not intended to create a contract between Shriro Australia Pty Limited and the purchaser.

New Zealand

Monaco Corporation Ltd

Telephone: (09) 415 6000

Facsimile: (09) 415 7400

Email: enquiries@robinhood.co.nz

www.robinhood.co.nz

Australia

Shriro Australia Pty Ltd

ABN 28 002 386 129

Telephone: 1800 648 556

Facsimile: 1800 628 577

Email: enquiries@robinhood.com.au

www.robinhood.com.au

 Robinhood