

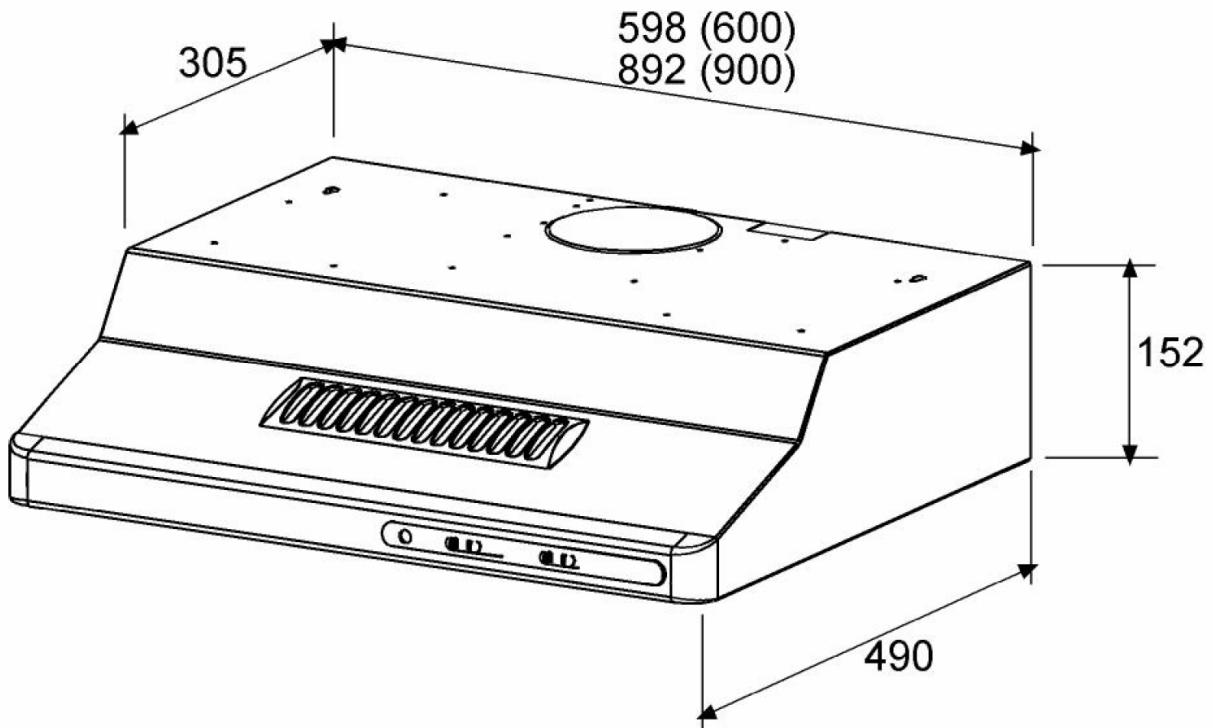
Installation and Operating Instructions

Description:

Robinhood Compact Canopy

Model Numbers:

RGT6SS, RGT6WH, RGT9SS, RGT9WH

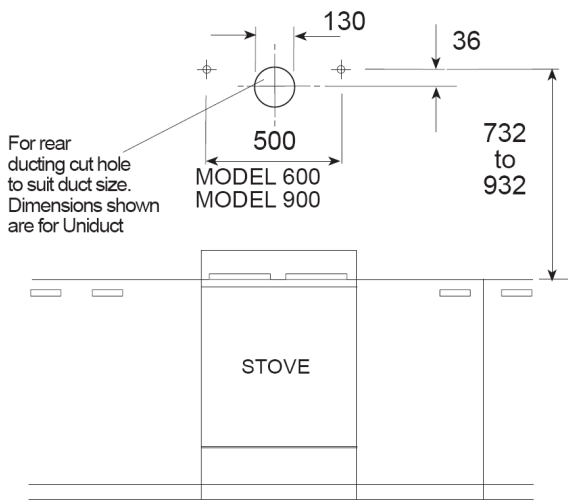


All dimensions are in mm

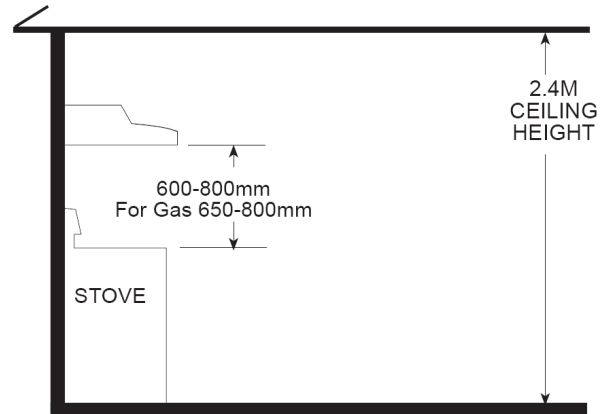
Actual model may vary from images pictured

Mounting Options

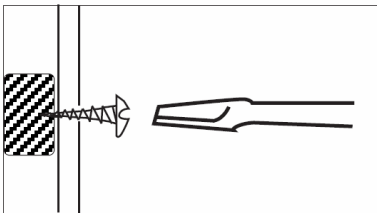
Wall Mounting



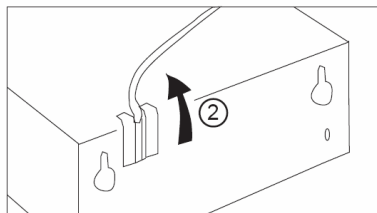
If using Uniduct cut outside wall hole Dia 135mm



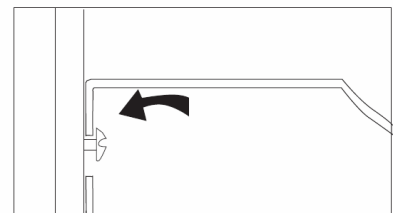
Mounting to Rear Wall



Drill holes and mount top two screws as shown. Refer to the wall mounting detail.



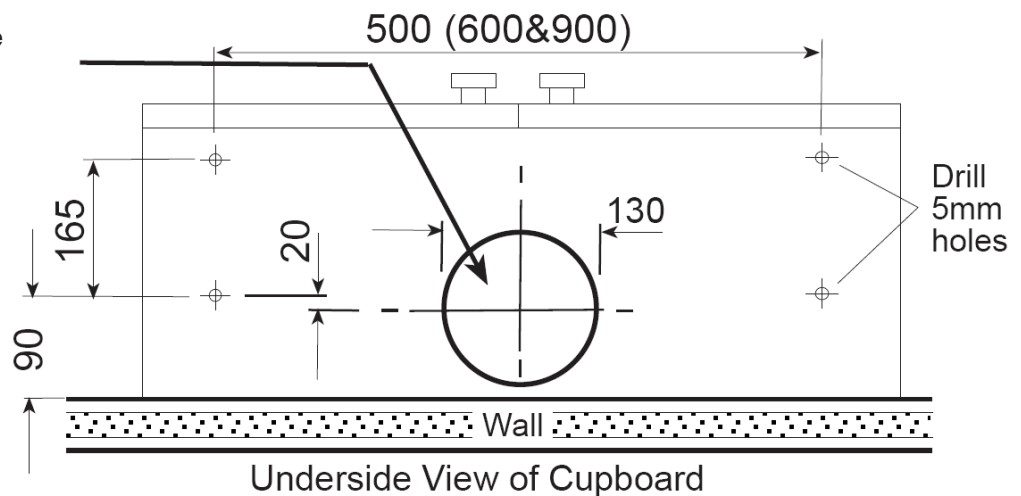
Swivel the power cord outlet to the top of the rangehood. ②



Hook rangehood onto the screws and secure with safety screws through the bottom two holes.

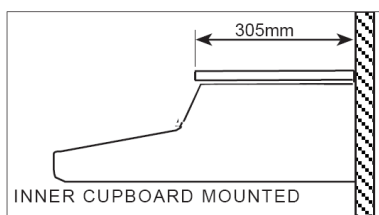
Under Cupboard Mounting

For top ducting cut hole to suit duct size. Dimensions shown are for Uniduct

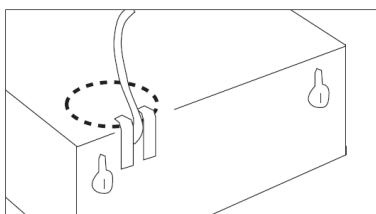


Mounting options *continued*

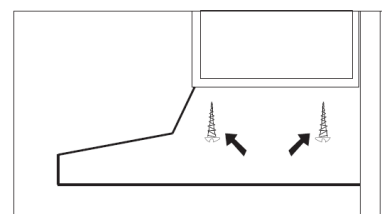
Under Cupboard Mounting



Drill four holes at the positions indicated - refer to 'under cupboard mounting'



Swivel the power cord outlet to the top of the rangehood. Cut hole in the cabinet to suit position and size of plug.



Fix the two rear screws and sliding the product over these fit the unit into place. Fix the two front screws and tighten all screws securely.

Wall Mounting Details

For Installation of Plugs for Wall Mounting

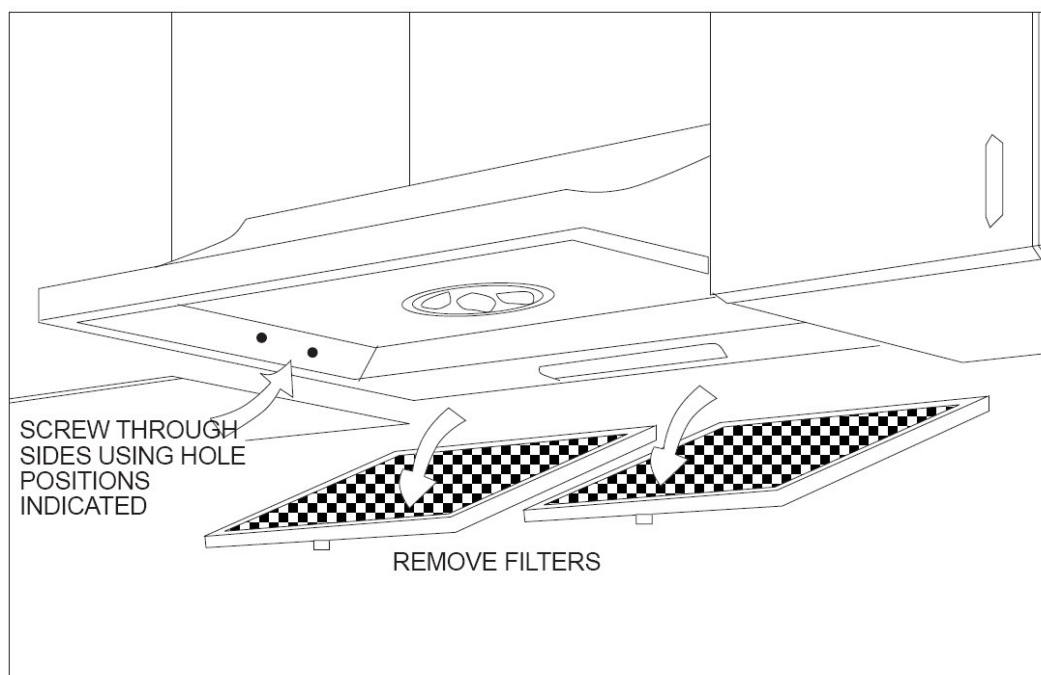
1. Mark location of holes as per installation instructions – wall mounting.
2. Drill 8mm hole to accept wall plugs.

Note: Do not use a screw driver to punch a hole in the base material.

3. Insert Plastic wall plugs and tap in with a hammer to ensure it is flush with the wall liner.
4. Place supplied screw through rangehood and into wall plug and fully tighten.

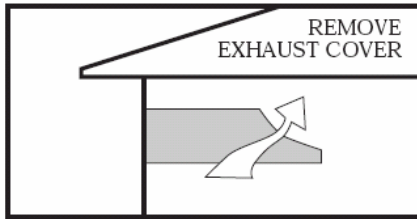
Note: Not for use in solid walls. If installing into a solid wall use appropriate wall plugs and follow instructions.

Side Wall Mounting

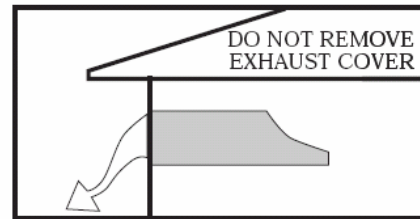


Ducting Options

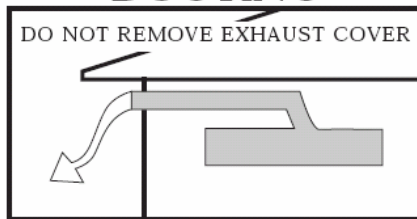
RECIRCULATING



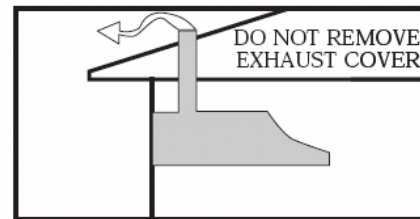
REAR DUCTED



FLEXIBLE DUCT FOR SIDE DUCTING



TOP DUCTED THROUGH ROOF



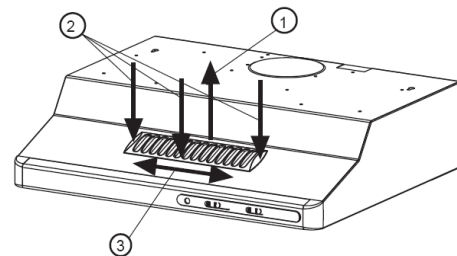
Note: When ducting, exhaust air must not be discharged into any chimney or flue which may carry combustion products from other sources. In addition, exhaust air must not be discharged into a wall cavity, unless designed for the purpose.

Operation & Cleaning

Operation

After your Rangehood is fixed in position:

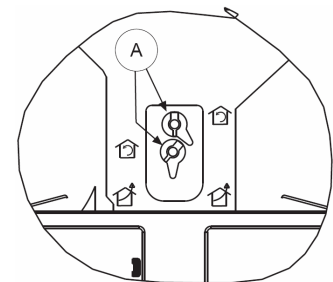
1. Check that the light and the diffuser are in place.
2. Remove protective plastic covering from the filters. Check that the filters are correctly positioned.
3. This unit is fitted with a recirculating grill. If the unit is rear or top ducted this grill should be in the right hand position (slots closed). If the unit is in recirculating mode it should be in the left hand side (slots open). To adjust this grill lift the centre rear of the grill in the direction of the arrow '1'. Place pressure on the three points indicated '2' and slide the cover to the direction required '3'.
4. Plug into 230-240V outlet. Keep cord clear of stove elements or hot utensils. Permanent wiring to house supply, or modifications to plug or wire should be carried out by a registered electrician.



Ducted or Recirculation

To adjust this unit to ducted or recirculated airflow refer to the diagram 'bottom view' and proceed as follows:

1. Remove the filters and look up at the underside of the unit.
2. The unit should be factory set in the ducted position shown. If recirculation mode is required, rotate both levers to the recirculation symbols.
3. Replace the aluminium filters with charcoal filters.
4. Refer to point 3 above (operation) to adjust the front grill.



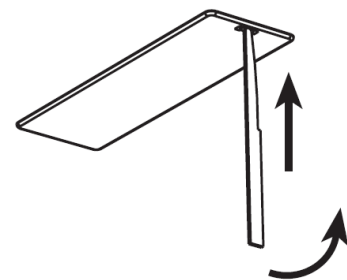
Operation and cleaning *continued*

Cleaning

1. Disconnect the Rangehood from power supply.
2. Wash aluminium filters every 2 or 3 months, depending on usage, with hot soapy water or in the dishwasher.
3. Charcoal filters should be replaced every three to six months depending on use.
4. Clean the external and internal surfaces including the fan blades, using a damp cloth and mild detergent. Do not use any powder or abrasive cleaners.

Lamp Replacement

1. Disconnect the rangehood from power supply.
2. Insert small screwdriver or slim knife into the catch of the light diffuser as shown, ease catch to side and slip out the diffuser.
1. Replace lamp (40 watt max).
2. Slide diffuser back into aperture and fix the screw back in place.



Parts and Service

For Accessories, Parts or Services, please contact your local supplier or approved service agent.

Important safety information

- o This appliance is not intended for use by persons (including children) with reduced physical, sensory or mental capabilities, or lack of experience and knowledge, unless they have been given supervision or instruction concerning use of the appliance by a person responsible for their safety.
- o Young children should be supervised to ensure that they do not play with the appliance.
- o There shall be adequate ventilation of the room when the rangehood is used at the same time as appliances burning gas or other fuels.
- o You must read the details concerning the method and frequency of cleaning.
- o There is a fire risk if cleaning is not carried out in accordance with the instructions.
- o Do not flambé under the rangehood.
- o Exhaust air must not be discharged into an existing flue which is used for exhausting fumes from appliances burning gas or other fuels.
- o The minimum distance between the hob surface and the lowest part of the rangehood is 600mm. This distance shall be at least 650mm, if the rangehood is installed over a gas hob (we recommend 700mm).
- o Attention should be given to ensure that any applicable regulations concerning the discharge of exhaust air is fulfilled.
- o If the supply cord of this equipment is damaged, it must only be replaced by the manufacturer or its service agent or a similarly qualified person in order to avoid a hazard.

Warranty Certificate (New Zealand)

Terms and Conditions

The following conditions apply in respect of the warranty given in this certificate:

1. Robinhood Limited ("Robinhood") warrants the following products against manufacturing defects and faulty materials, under normal use and subject to the exclusions in this certificate, for a period of:
Rangehood – 24 months from date of original purchase for domestic use.
Uniduct – 12 months from date of original purchase for domestic use.
Ironing centre – 12 months from date of original purchase for domestic use.
"Original purchase", when used in this certificate, means purchase by the customer directly from Robinhood Limited or one of its approved suppliers.
2. This warranty is limited to the repair or replacement, at Robinhood's option, within the warranty period of any component part which Robinhood at its discretion determines to contain faulty materials or a manufacturing defect in breach of this warranty. This warranty is subject to terms and conditions set out in this certificate.
3. The warranty only applies within New Zealand.
4. The customer must produce the original invoice or other purchase documentation as proof of the original purchase date.

Warranty exclusions

1. The warranty does not apply where, in the opinion of Robinhood:
The defect is caused by misuse, wear and tear, dirt, fire or accidental damage.
The product has been repaired or serviced by an unauthorised person.
The product was not installed in accordance with Robinhood instructions.
The product was purchased overseas or was not designed for use in New Zealand.
The product was not used, cleaned or cared for in accordance with Robinhood's instructions.
The product was used outdoors.
2. In addition, this warranty does not extend to damage or defects which in Robinhood's opinion, directly or indirectly arise from or are due to:
Exposing the product to acidic or corrosive materials or chemicals such as dyes, solvents, denture cleaner or acetone;
Using inappropriate household cleaning products such as abrasive cream or powder cleansers, furniture polish, bleach, mentholated spirits, drain cleaners, sugar soap, metal pads and strongly alkaline or acidic cleaners;
Heat damage, including from washing the product at high temperatures;
Impact or mishandling the product, including the impact caused by objects scraped along, thrown or dropped on the product surface or excessive weight being placed on the product;
Structural or support changes in or affecting the building or the application where the product has been installed;
Failure to clean or maintain the product as recommended; or
any other causes specified in the product information as being excluded from this warranty.
3. Variations with the colour or gloss within the product or any ageing or fading of colour, shine or gloss level over time are not covered by this warranty. The warranty does not cover visual imperfections or blemishes in the surface and edges of the product that were not brought to your supplier's attention at the time you inspected the product.
4. Costs incurred on installation or removal of a product, or any reinstallation of a product, or any associated costs, are not covered by this warranty.
5. Robinhood will not be liable for consequential or indirect loss or damage whatsoever and however arising out of or in connection with the supply, performance or removal of the product, including (but not limited to) loss of profit, loss of revenue, loss of contract, lost of goodwill or increased cost of workings, even if due to the negligence of Robinhood or any of its approved suppliers, employees or agents.
6. Charcoal filters and light bulbs are not covered by this warranty
7. This warranty and the statements contained in this certificate or other Robinhood documents given to you do not exclude, restrict or modify the application of any term implied into this warranty by statute, provided that (to the extent any statutory provision permits Robinhood to limit its liability for a breach of an implied condition or warranty) Robinhood's liability for such breach is limited to the payment of the cost of replacing the product, repairing the product or acquiring an equivalent product.
8. Subject to clause 5, the obligations of Robinhood under this warranty are limited to those set out in this certificate, and this warranty is expressly instead of all other warranties, express or implied, including any implied warranty of merchantability or fitness for a particular purpose and notwithstanding any course of dealing between the parties or custom and usage in trade to the contrary.

Should warranty service be required, please contact Robinhood:

Free Phone: 0800 760 667
Free Fax: 0800 276 246
Email: enquiries@robinhood.co.nz
Website: www.robinhood.co.nz

Terms and conditions are subject to change without notice

New Zealand

Robinhood Ltd
Telephone: 0800 760 667
Facsimile: 0800 276 246
Email: enquiries@robinhood.co.nz
www.robinhood.co.nz

Australia

Robinhood PTY Ltd
Telephone: 1800 648 556
Facsimile: 1800 628 577
Email: enquiries@robinhood.com.au
www.robinhood.com.au



Warranty Certificate (Australia)

Terms and Conditions

The following conditions apply in respect of the warranty given in this certificate:

1. Robinhood warrants the following products against manufacturing defects and faulty materials, under normal use and subject to the exclusions in this certificate, for a period of:
Rangehood – 24 months from date of original purchase for domestic use.
Uniduct – 12 months from date of original purchase for domestic use.
Ironing centre – 12 months from date of original purchase for domestic use.
"Original purchase", when used in this certificate, means purchase by the customer directly from Robinhood Australia Pty Ltd or one of its approved suppliers.
2. This warranty is limited to the repair or replacement, at Robinhood's option, within the warranty period of any component part which Robinhood at its discretion determines to contain faulty materials or a manufacturing defect in breach of this warranty. This warranty is subject to terms and conditions set out in this certificate.
3. The warranty only applies within the Commonwealth of Australia.
4. The customer must produce the original invoice or other purchase documentation as proof of the original purchase date.

Warranty exclusions

1. The warranty does not apply where, in the opinion of Robinhood:
The defect is caused by misuse, wear and tear, dirt, fire or accidental damage.
The product has been repaired or serviced by an unauthorised person.
The product was not installed in accordance with Robinhood instructions.
The product was purchased overseas or was not designed for use in Australia.
The product was not used, cleaned or cared for in accordance with Robinhood's instructions.
The product was used outdoors.
2. In addition, this warranty does not extend to damage or defects which in Robinhood's opinion, directly or indirectly arise from or are due to:
Exposing the product to acidic or corrosive materials or chemicals such as dyes, solvents, denture cleaner or acetone;
Using inappropriate household cleaning products such as abrasive cream or powder cleansers, furniture polish, bleach, mentholated spirits, drain cleaners, sugar soap, metal pads and strongly alkaline or acidic cleaners;
Heat damage, including from washing the product at high temperatures;
Impact or mishandling the product, including the impact caused by objects scraped along, thrown or dropped on the product surface or excessive weight being placed on the product;
Structural or support changes in or affecting the building or the application where the product has been installed;
Failure to clean or maintain the product as recommended; or
Any other causes specified in the product information as being excluded from this warranty.
3. Variations with the colour or gloss within the product or any ageing or fading of colour, shine or gloss level over time are not covered by this warranty. The warranty does not cover visual imperfections or blemishes in the surface and edges of the product that were not brought to your supplier's attention at the time you inspected the product.
4. Costs incurred on installation or removal of a product, or any reinstallation of a product, or any associated costs, are not covered by this warranty.
5. Robinhood will not be liable for consequential or indirect loss or damage whatsoever and however arising out of or in connection with the supply, performance or removal of the product, including (but not limited to) loss of profit, loss of revenue, loss of contract, loss of goodwill or increased cost of workings, even if due to the negligence of Robinhood or any of its approved suppliers, employees or agents.
6. Charcoal filters and light bulbs are not covered by this warranty
7. This warranty and the statements contained in this certificate or other Robinhood documents given to you do not exclude, restrict or modify the application of any term implied into this warranty by statute, provided that (to the extent any statutory provision permits Robinhood to limit its liability for a breach of an implied condition or warranty) Robinhood's liability for such breach is limited to the payment of the cost of replacing the product, repairing the product or acquiring an equivalent product.
8. Subject to clause 5, the obligations of Robinhood under this warranty are limited to those set out in this certificate, and this warranty is expressly instead of all other warranties, express or implied, including any implied warranty of merchantability or fitness for a particular purpose and notwithstanding any course of dealing between the parties or custom and usage in trade to the contrary.

Should warranty service be required, please contact Robinhood:

Free Phone: 1800 648 556

Free Fax: 1800 628 577

Email: enquiries@robinhood.com.au

Website: www.robinhood.com.au

Terms and conditions are subject to change without notice

103846 iss. E
ECN 08 170

New Zealand

Robinhood Ltd
Telephone: 0800 760 667
Facsimile: 0800 276 246
Email: enquiries@robinhood.co.nz
www.robinhood.co.nz

Australia

Robinhood PTY Ltd
Telephone: 1800 648 556
Facsimile: 1800 628 577
Email: enquiries@robinhood.com.au
www.robinhood.com.au

