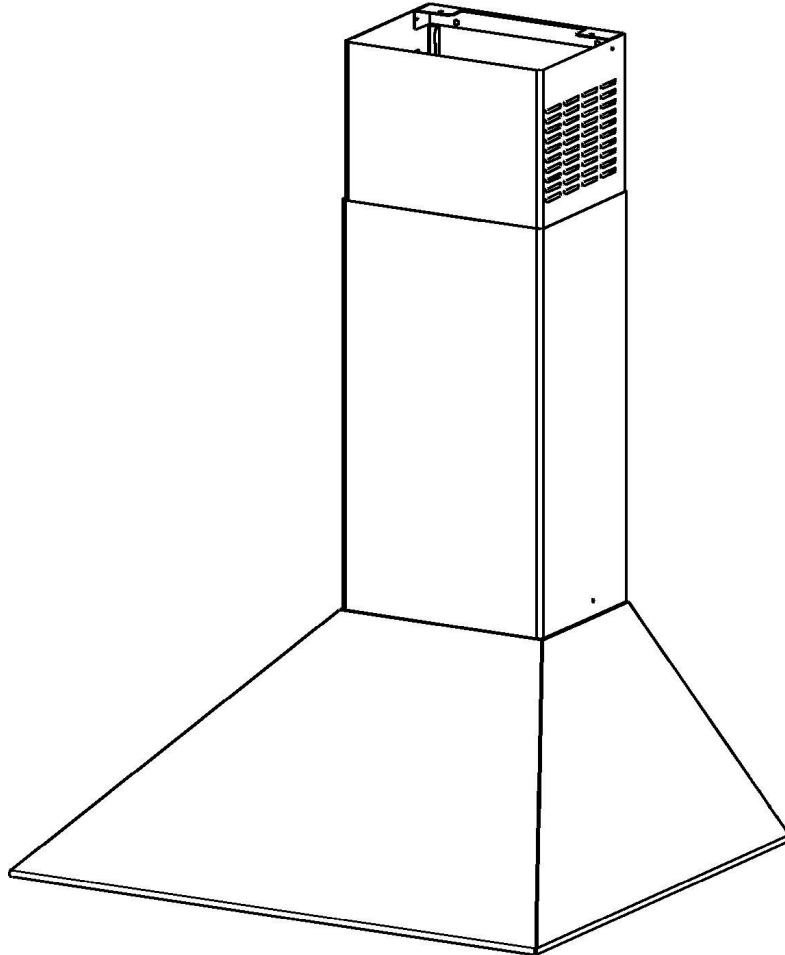


RCT-SERIES



Robinhood



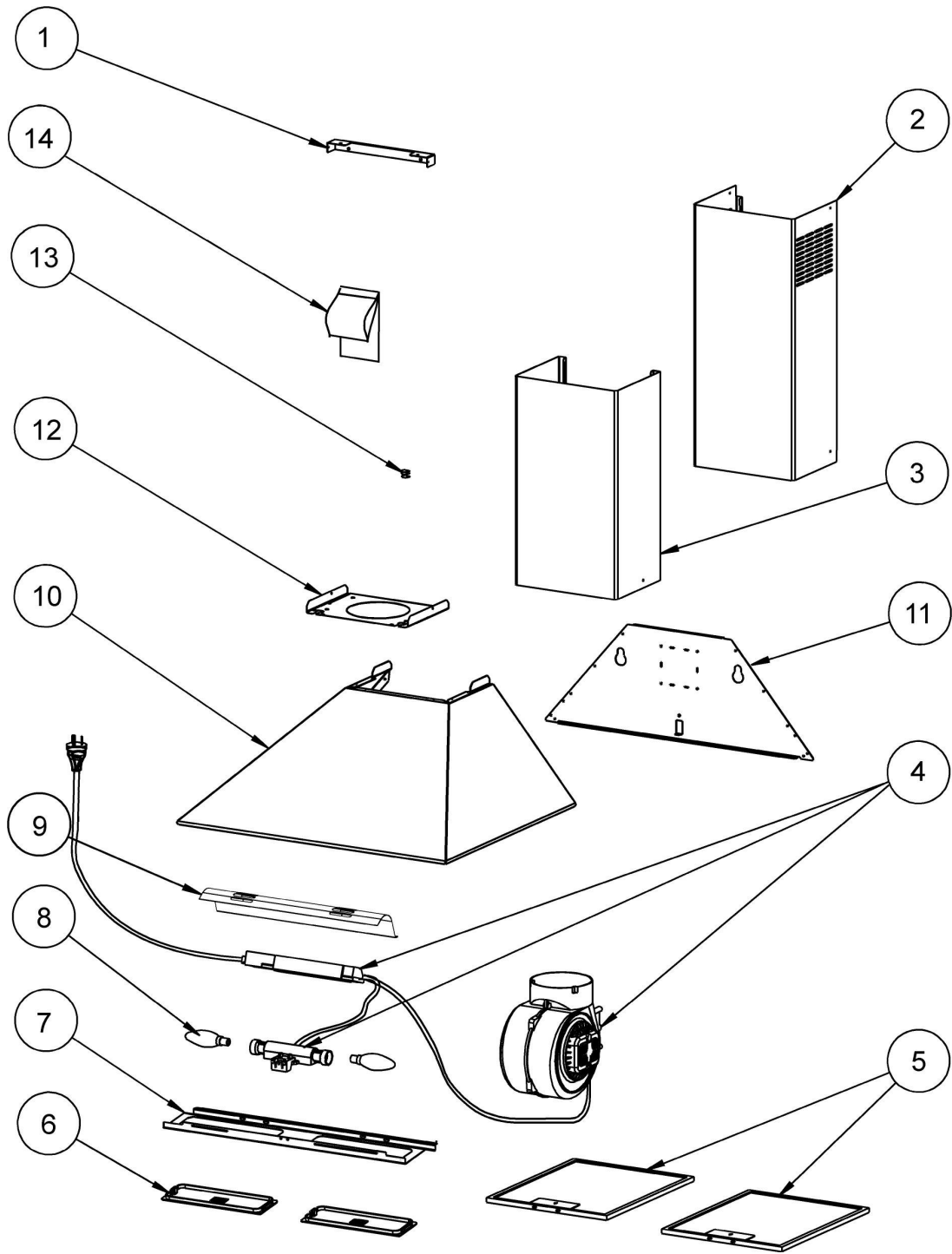
CANOPY RANGE HOOD - TEMPEST
RCT600SS , RCT900SS
RCT600WH, RCT900WH

APPROVED

Page 1 of 5

ISSUE: E
ECN 07 033

RCT-SERIES



APPROVED

Page 2 of 5

ISSUE: E
ECN 07 033

RCT-SERIES

Stainless Steel

ITEM	DESCRIPTION	Part No RCT600SS	Part No RCT900SS
1	CHIMNEY BRACKET	104008	104008
2	CANOPY CHIMNEY TOP S/S	104013	104013
3	CANOPY CHIMNEY BOTTOM S/S	104012	104012
4	MOTOR / SWITCH / LIGHT ASSEMBLY	104339	104339
5	FILTER ALUMINIUM 335 x 267	104163	104163
*5	FILTER CHARCOAL 335 x 267	104165	104165
6	DIFFUSER 40 WATT MAX	101112	101112
7	CONTROL PANEL	104374	104373
8	EDISON CANDLE LIGHT	110023	110023
9	ELECTRIC COVER	104449	104449
**10	CANOPY BODY		
**11	CANOPY BACKPANEL		
**12	TOP COVER		
13	CORD GRIP/HEYCO BUSH	106167	106167
14	INSTALLATION KIT	104809SS	104809SS

* OPTIONAL COMPONENT

** NB: ASSY HOOD SS (10,11.12) NOT AVAILABLE OUTSIDE PRODUCTION

APPROVED

Page 3 of 5

ISSUE: E
ECN 07 033

RCT-SERIES

White

ITEM	DESCRIPTION	Part No RCT600WH	Part No RCT900WH
1	CHIMNEY BRACKET	104008	104008
2	CANOPY CHIMNEY TOP WH	104131WH	104131WH
3	CANOPY CHIMNEY BOTTOM WH	104130WH	104130WH
4	MOTOR / SWITCH / LIGHT ASSEMBLY	104339	104339
5	FILTER ALUMINIUM 335 x 267	104163	104163
5	FILTER CHARCOAL 335 x 267	104165	104165
6	DIFFUSER 40 WATT MAX	101112	101112
7	CONTROL PANEL	104480WH	104481WH
8	EDISON CANDLE LIGHT	110023	110023
9	ELECTRIC COVER	104449	104449
10*	CANOPY BODY		
11*	CANOPY BACKPANEL		
12*	TOP COVER		
13	CORD GRIP/HEYCO BUSH	106167	106167
14	INSTALLATION KIT	104809WH	104809WH

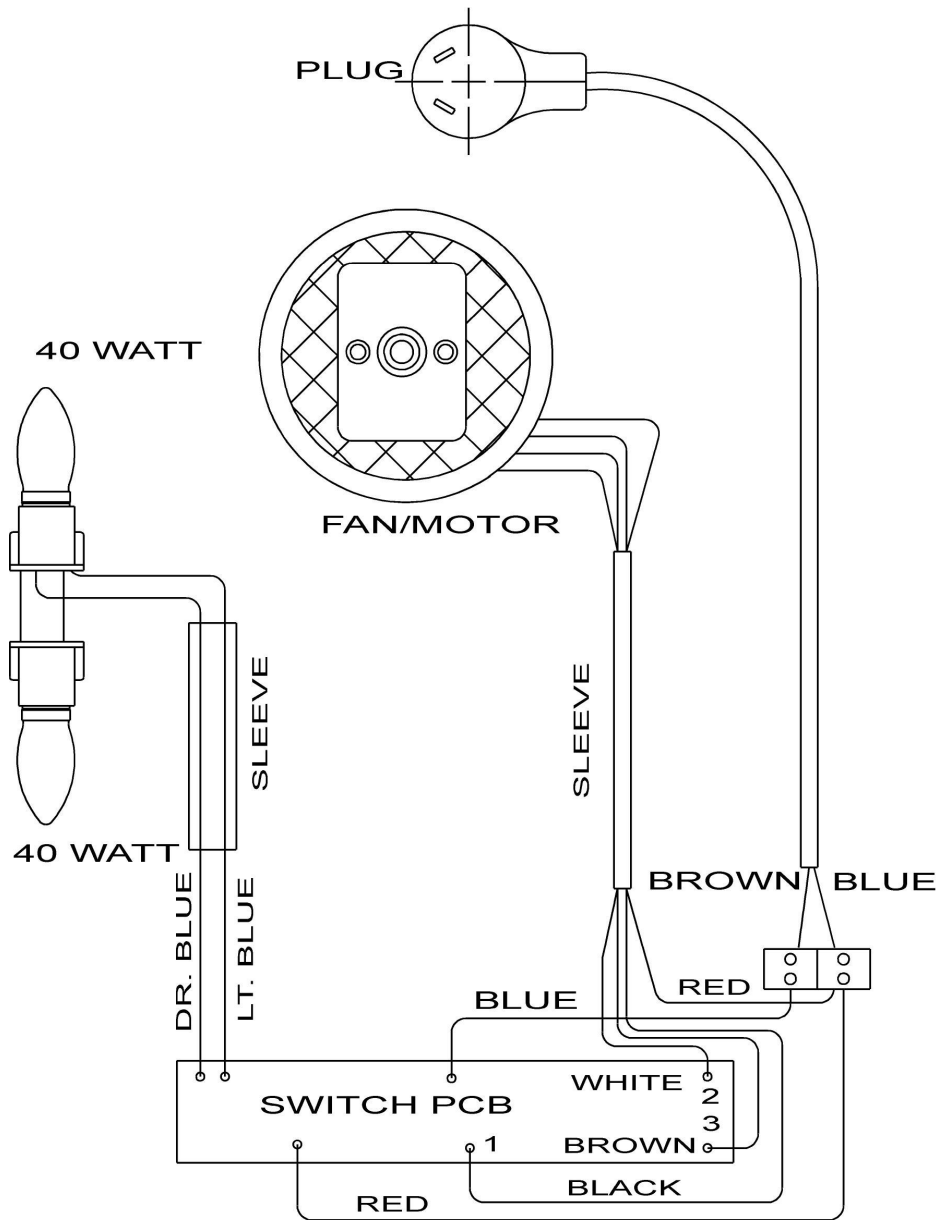
* NB: PART NOT AVAILABLE OUTSIDE PRODUCTION

APPROVED

Page 4 of 5

ISSUE: E
ECN 07 033

RCT-SERIES



WIRING DIAGRAM
3SPEED 2LIGHT 1MOTOR

APPROVED

Page 5 of 5

ISSUE: E
ECN 07 033