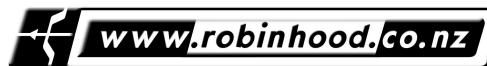


WARNING

- This appliance is not intended for use by young children or infirm persons without supervision.
- Young children should be supervised to ensure that they do not play with the appliance.
- There shall be adequate ventilation of the room when the rangehood is used at the same time as appliances burning gas or other fuels.
- You must read the details concerning the method and frequency of cleaning.
- There is a fire risk if cleaning is not carried out in accordance with the instructions.
- Do not flambé under the rangehood.
- Exhaust air must not be discharged into a flue which is used for exhausting fumes from appliances burning gas or other fuels.
- The minimum distance between the hob surface and the lowest part of the rangehood. This distance shall be at least 650mm if the rangehood is installed over a gas hob.
- That regulations concerning the discharge of exhaust air have to be fulfilled.
- If the supply cord of this equipment is damaged, it must only be replaced by the manufacturer or its service agent or similarly qualified person in order to avoid a hazard.

ELECTRICAL RATING
230/240 VOLT, 50HZ, 0.28 KW

VISIT OUR WEBSITE AT



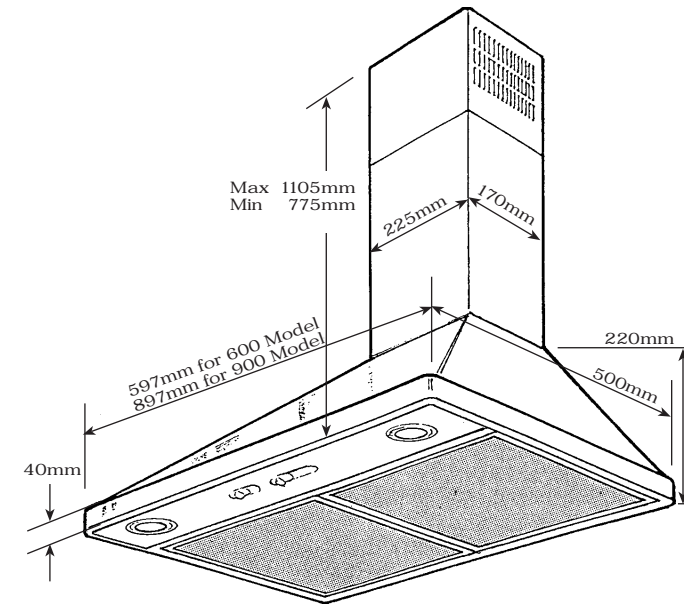
Robinhood
MANUFACTURED IN NEW
ZEALAND BY:

ROBINSON INDUSTRIES LIMITED
P.O. BOX 51 201, PAKURANGA
AUCKLAND, NEW ZEALAND
TEL: +64 9 272 5129

Robinhood®

INSTALLATION INSTRUCTIONS

MODELS: RC60SE & RC90SE



STAINLESS STEEL CANOPY OPERATION

Thank you for purchasing a quality canopy rangehood from ROBINHOOD. We have a high standard of quality control and each rangehood is tested and approved before it leaves the factory.

IMPORTANT: Please read prior to installation or operation

- (Refer to notes on earthing and voltage)
- Always switch power off prior to installing, servicing or cleaning the appliance.
- Never use the appliance without filters.
- Please read the notes on general cleaning, especially the filters.
- Exhaust air must not be discharged into a heating flue or wall cavity, unless the cavity is designed for that purpose.
- Areas where the rangehood is installed that also have gas, oil or coal fired heaters, must be well ventilated to prevent a partial vacuum in the room. This includes gas hobs. (A partial vacuum in the room could result in too high a concentration of gas in the atmosphere).
- The appliance is supplied with an approved power cable which must not be changed. If the supply cord of this equipment is damaged, it must only be replaced by the manufacturer or its service agent or similarly qualified person in order to avoid hazard.

MAINTENANCE

Particular care must be taken with the grease filters which must be periodically cleaned (at least once every two months). Remove the grease filters and wash them either by hand or in the dishwasher using a mild detergent. Use lukewarm water and mild detergent to clean stainless steel components. **CAUTION:** Never use products containing abrasives (e.g scouring pads, steel wool, abrasive liquid cleaners etc.) In high humidity and coastal environments, cleaning should be carried out frequently.

USE

Care and attention should always be taken when cooking with oils, alcohol, etc. which give off flammable vapours.

Pre-used oil is especially dangerous in this respect. Do not use uncovered electric grills.

To avoid possible risks of fire always comply with the maintenance instructions above.

ATTENTION: This appliance must be earthed

When making the electrical connections, check that the socket has an earth connection and that the voltage values correspond to those indicated on the rating plate inside the appliance. The power socket connection is to be easily accessible after installation.

INSTALLATION OF THE UNIT

(Read in conjunction with the following diagrams)

The unit is designed for 2.4 to maximum 2.7 metre high ceiling. The decorative duct cover is telescopic and is designed for 600 to 900mm adjustment.

NOTE: Ducting accessories are not supplied. Please refer to the optional ducting kits. The air outlet from the motor requires 150mm round flexible ducting which requires a 160mm diameter round hole in the ceiling. This hole will be covered by the decorative cover. Care should be taken to align canopy with decorative cover allowing sufficient clearance to accommodate the flexible ducting.

Before starting assembly read the instructions carefully and remove the metal filters from the canopy to allow access to wall mounting holes. To remove the metal filters push the relative catch inwards and turning it downwards until it disengages from the supports. Reverse these instructions when refitting the filters.

NOTE: Stainless Steel is very easily damaged during installation if abraided or knocked by tools.

MOUNTING THE CANOPY

WARNING: The distance between the hob and the mounting holes of the canopy must be at least (870mm for 600 models and 880mm for 900 models) to ensure that the fully installed canopy has a clearance of 700mm between the lower part of the hood and the cooking hob. (1) Before drilling any holes check the wall and ceiling are clear of any electrical cables, pipes etc. Fixing to a solid stud is recommended. (1)

Fix the mounting washers in position shown in the diagram. (1) Check with a spirit level across the washers to ensure they are level.

INSTALL DUCTING

NOTE: All ducting must comply with local requirements and building codes.

Mark the position of decorative cover at ceiling and wall, cut cornice moulding away if necessary to enable panels to fit flat against the wall and ceiling. (2) Mark and cut the hole in the ceiling to fit the ducting (155-160mm dia). (3) This is positioned centrally with the canopy and 80mm from the wall.

INSTALL CEILING BRACKET

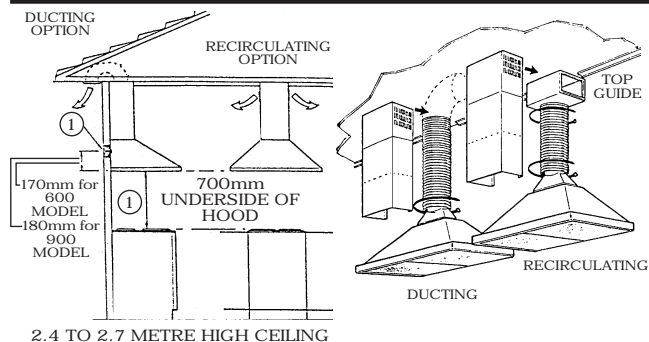
Using the supplied screws, fix the ceiling bracket (4) to the wall, checking that it is aligned with the hood.

FINAL ASSEMBLY

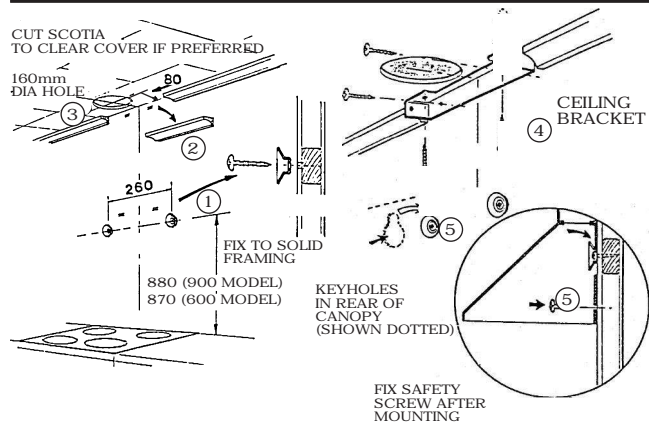
Remove protective plastic covering from all parts including filters. Now fit the canopy on the fixed mounting washers. (5) Plug in power cord at power supply. Check function of rangehood light and motor, before continuing assembly. Fix safety screw, connect 150mm ducting (6) adaptor to top of motor flange. Line up adaptor with ducting and secure flexible ducting with cable tie. (7) Assemble the telescopic ducting covers (8) to accurately suit the dimension required. (9) Mounting screws and plastic cover caps are applied on top and bottom of the chimney.

104465 ISSUE "A"

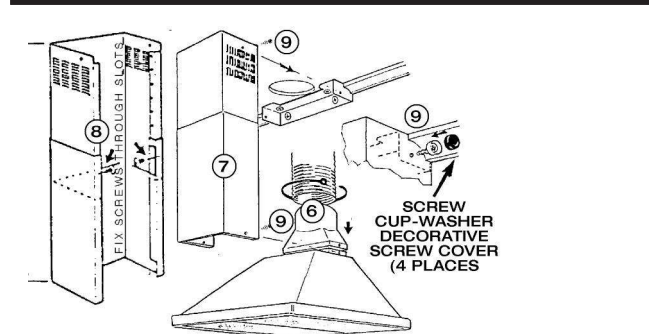
OPTIONS



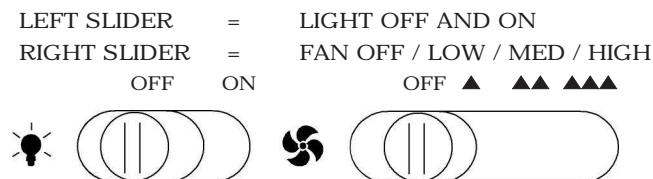
MOUNTING



ASSEMBLY



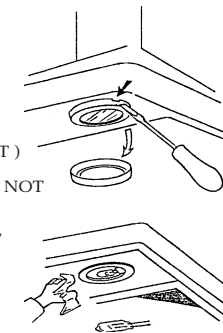
OPERATION



LIGHT

TO CHANGE A HALOGEN LIGHT

- SWITCH OFF THE POWER TO THE RANGEHOOD
- USE A SMALL BLADE SCREWDRIVER TO PRIZE OFF THE LIGHT COVER (NOTE SLOT)
- USE A CLOTH TO REMOVE THE BULB. DO NOT TOUCH THE BULB WITH FINGERS
- REPLACE WITH A NEW BULB AND "SNAP" THE COVER BACK IN PLACE
- HALOGEN BULB 12 Volt /20 Watt



TECHNICAL SPECIFICATIONS

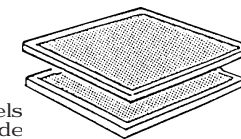
High quality stainless steel
High performance three speed fan motor
Energy saving 2X 20W HALOGEN LIGHTS
Extraction capacity to 760m³ maximum per hour
Test reference AS2682
Aluminium grease filters (dishwasher safe)
Optional recirculation kit available on request
Easy to install -150mm flexible ducting

RECOMMENDED SPARE PARTS

FILTERS

357 x 267 Filter (600) - No. 104076
357 x 278 Filter (900) - No. 104077

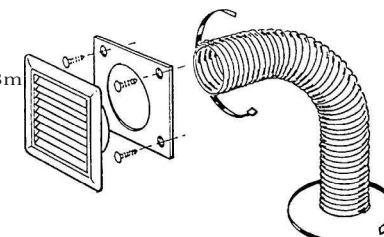
NOTE:
Two filters are required for 600 models
Three filters are required for 900 mode



DUCTING KITS

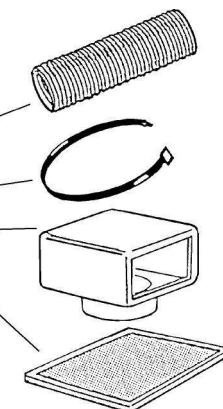
FLEXIBLE DUCTING KIT
UNIDUCT KIT No. 1569

- Kit includes:
- 150 mm Flexible x 3m Ducting
 - Ties (2)
 - Outlet Grill
 - Screws (4)



RECIRCULATION KIT
UNIDUCT KIT No. 1773 (for 600 mm unit)
UNIDUCT KIT No. 1774 (for 900 mm unit)

- Kits include:
- 150 mm Flexible x 1m Ducting
 - Ties (2)
 - Top Guide
 - Charcoal Filter x 2 - 600
 - Charcoal Filter x 3 - 900



NOTE:
Two filters are supplied for 600 models
Three filters are supplied for 900 models