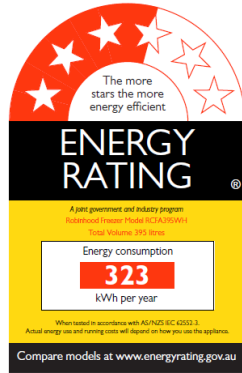


## Description

ROBINHOOD CHEST FREEZER 395L WHITE  
**RCFA395WH**



## Key Features

**Gross/Storage Capacity**  
 395L

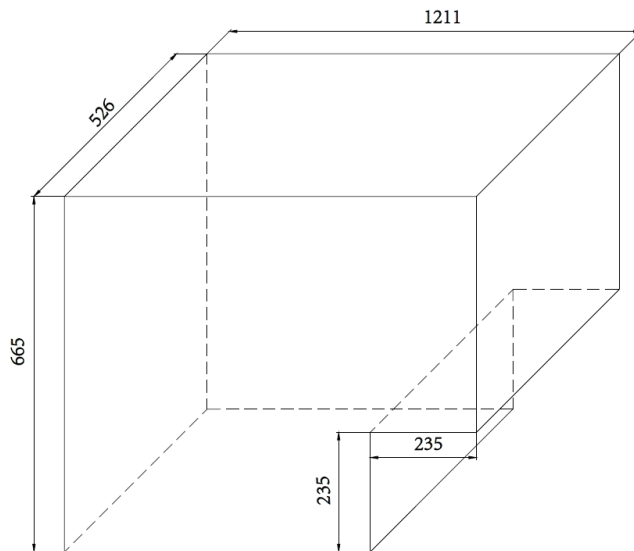
**Energy Rating**  
 3.5 Stars

**Temperature Control**  
 Mechanical control

**Handle**  
 Recessed handle

**Storage Basket**  
 Storage basket x 2

Dated 17/03/2023



## Specifications

<b>Total Volume</b>	395L
<b>Control Type</b>	Mechanical
<b>Compressor Type</b>	Inverter compressor
<b>Condenser</b>	Inside
<b>Climate Type</b>	T
<b>Refrigerant/ Amount</b>	R600a/ 90g
<b>Foaming Agent</b>	Cyclopentane
<b>Evaporator Type</b>	Pipe-coil
<b>Door Panel Material</b>	PCM
<b>Noise Level</b>	42dB
<b>Defrost Type</b>	Manual defrost
<b>Voltage / Frequency</b>	220-240V/ 50Hz
<b>Energy Rating</b>	3.5 Stars
<b>Interior Color</b>	White
<b>Water Disposal Device</b>	Yes
<b>Adjustable Thermostat</b>	Yes
<b>Basket Type/ Number</b>	Wire/ 2
<b>Mobility Wheels</b>	2 feet & 2 wheels
<b>Internal Measurements</b>	See line drawings on the left
<b>Product Dimension (WxDxH)</b>	1355*710*845mm
<b>Carton Dimension (WxDxH)</b>	1394*748*886mm
<b>Net/Gross Weight (Kg)</b>	63 /69