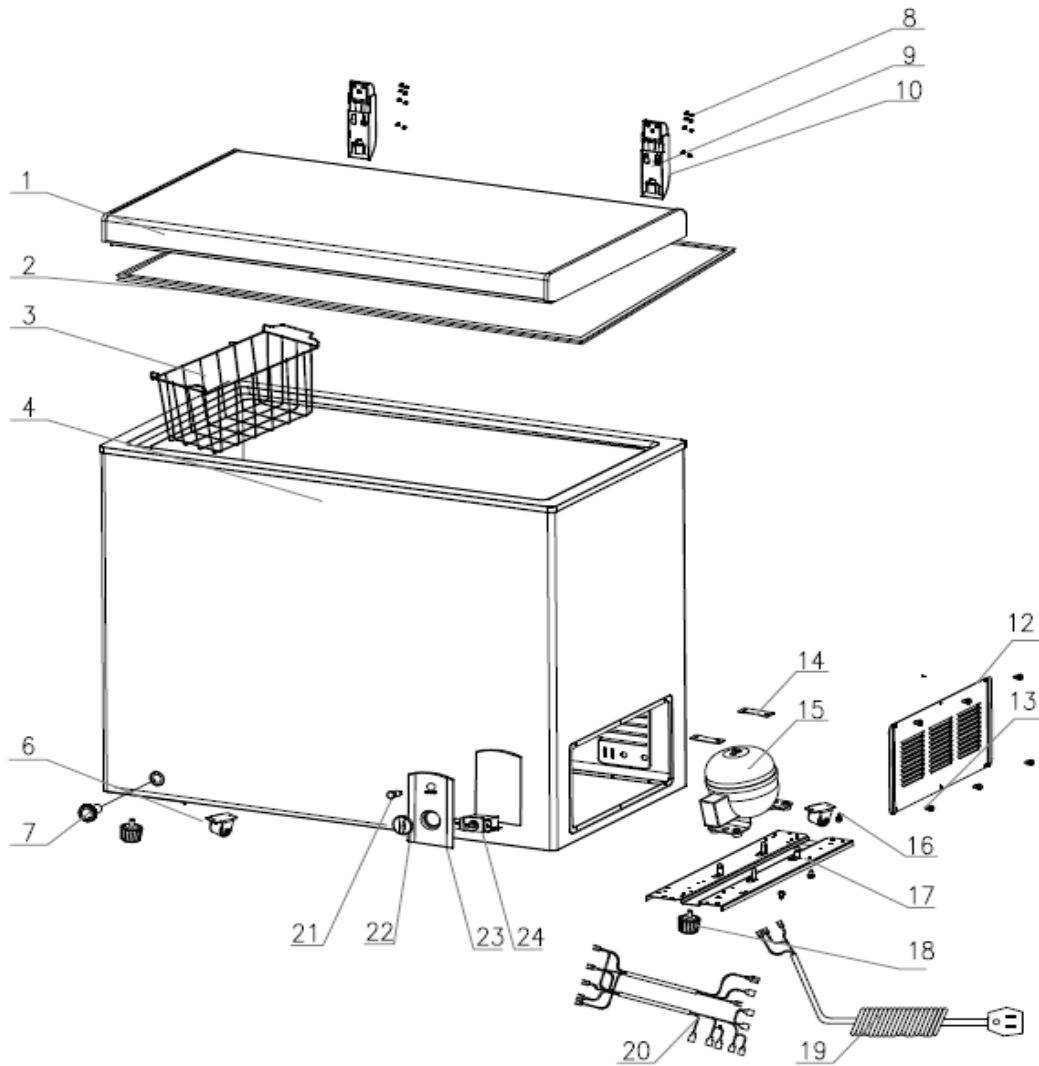


RCFA395WH



SEQ	PART NO.	QTY (in Product)	DESCRIPTION
1	1511000905	1	DOOR
2	1210000580	1	DOOR SEAL (DOOR GASKET)
3	1220010128	1	BASKET
6	1200000064	2	WHEEL
7.01	1020000334	1	WATER INNER COVER
7.02	1020000335	1	WATER OUT COVER
9	1060001329	2	HINGE
10.01	1020004438	2	UP COVER
10.02	1020004437	2	DOWN COVER
12	1060001465	1	COMPRESSOR COVER
14	1060000006	6	FIXED PLATEN
15.01	1050060165	1	COMPRESSOR(INVERTER)
15.02	1051000111	1	PCB BOARD FOR INVERTER COMPRESSOR
17	1620010135	1	COMPRESSOR SUPPORT
18	1020000034	2	FOOT
19	1190010139	1	SUPPLY CORD
21	1190090009	1	INDICATOR LAMP
22	1020000408	1	KNOB OF TEMP-CONTROL
23	1020005227	1	CONTROL PANE
24	1190030137	1	THERMOSTAT
NOT SHOWN	1260060001	1	DRY FILTER