

Description

ROBINHOOD CHEST FREEZER 147L WHITE
 RCFA147WH



Key Features

Gross/Storage Capacity
 147L

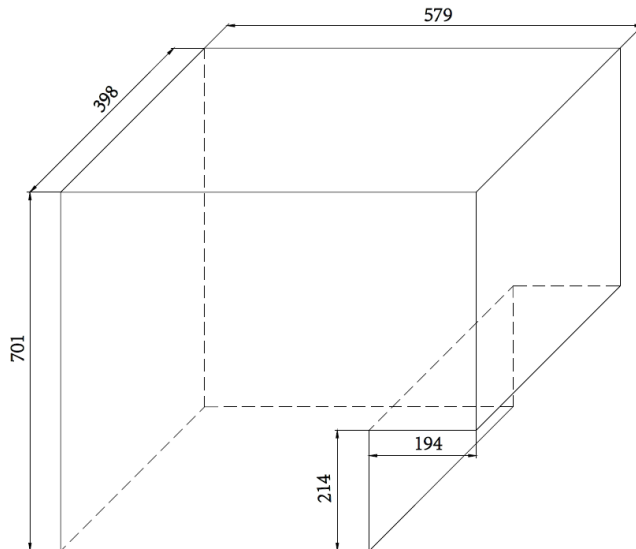
Energy Rating
 3 Stars

Temperature Control
 Mechanical control

Handle
 Recessed handle

Storage Basket
 Storage basket x 1

Dated 17/03/2023



Specifications

Total Volume	147L
Control Type	Mechanical
Compressor Type	Universal compressor
Condenser	Inside
Climate Type	T
Refrigerant/ Amount	R600a/ 51g
Foaming Agent	Cyclopentane
Evaporator Type	Pipe-coil
Door Panel Material	PCM
Noise Level	42dB
Defrost Type	Manual defrost
Voltage / Frequency	220-240V/ 50Hz
Energy Rating	3 Stars
Interior Color	White
Water Disposal Device	Yes
Adjustable Thermostat	Yes
Basket Type/ Number	Wire/ 1
Mobility Wheels	2 feet & 2 wheels
Internal Measurements	See line drawings on the left
Product Dimension (WxDxH)	706*550*850mm
Carton Dimension (WxDxH)	730*570*882mm
Net/Gross Weight (Kg)	28 /31