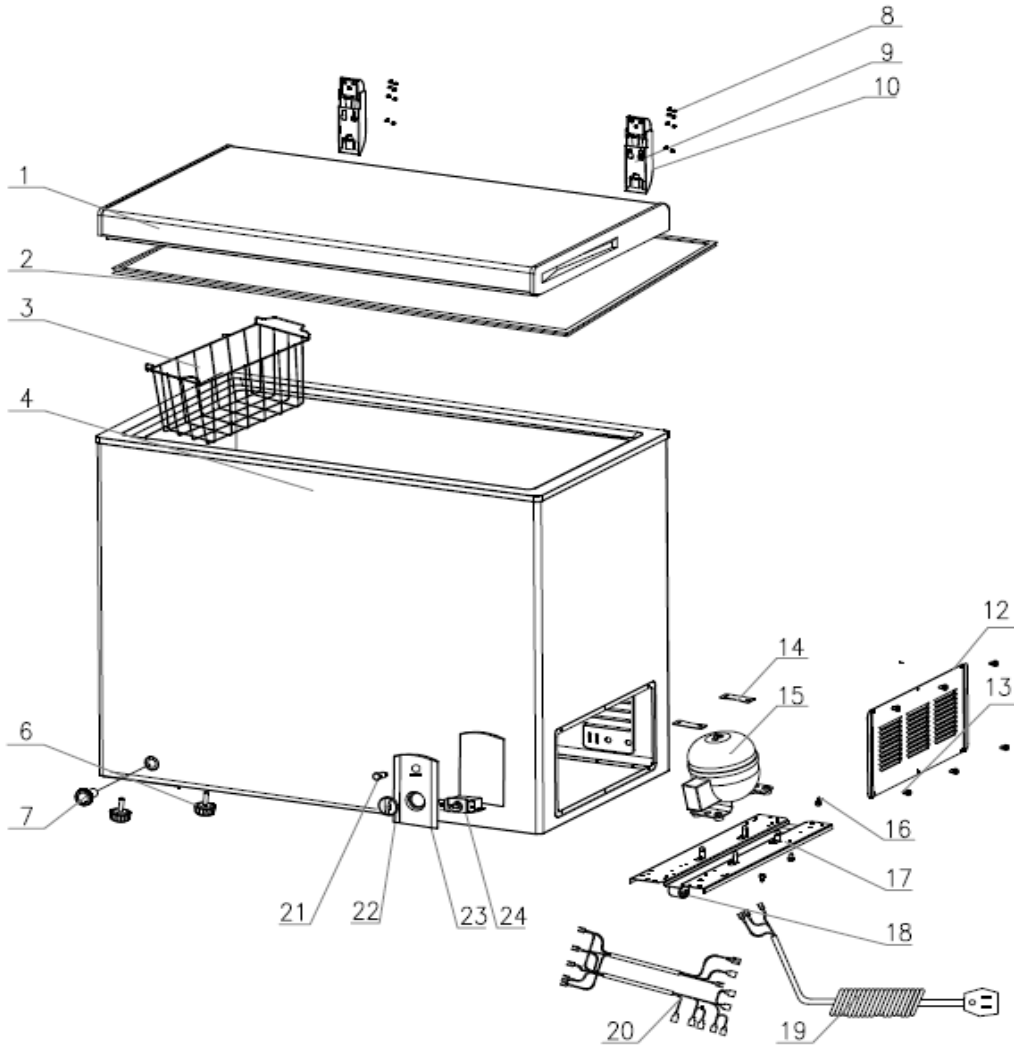


# RCFA147WH



SEQ	PART NO.	QTY (in Product)	DESCRIPTION
1	1510000251	1	DOOR
2	1210000043	1	DOOR SEAL (DOOR GASKET)
3	1220010018	1	BASKET
6	1020000347	2	FOOT
7.01	1020000334	1	WATER INNER COVER
7.02	1020000335	1	WATER OUT COVER
9.01	1060000085	1	HINGE 1
9.02	1060000086	1	HINGE 2
10.01	1020000365	1	UP COVER
10.02	1020000366	1	DOWN COVER
12	1060000109	1	COMPRESSOR COVER
14	1060000006	1	FIXED PLATEN
15	1050070086	1	COMPRESSOR
17	1060000107	1	COMPRESSOR SUPPORT WITH WHEEL
19	1190010139	1	SUPPLY CORD
21	1190090009	1	INDICATOR LAMP
22	1020000408	1	KNOB OF TEMP-CONTROL
23	1020000367	1	CONTROL PANE
24	1190030018	1	THERMOSTAT
0.01	1260060021	1	DRY FILTER