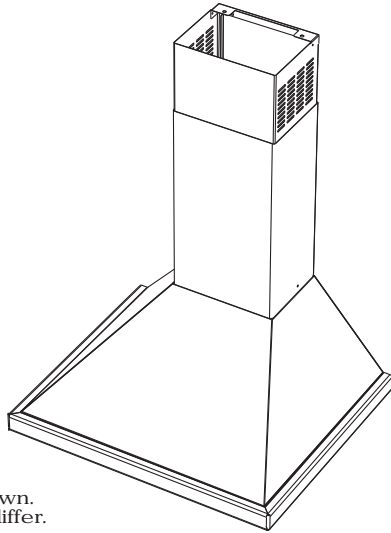


CANOPY RANGEHOOD

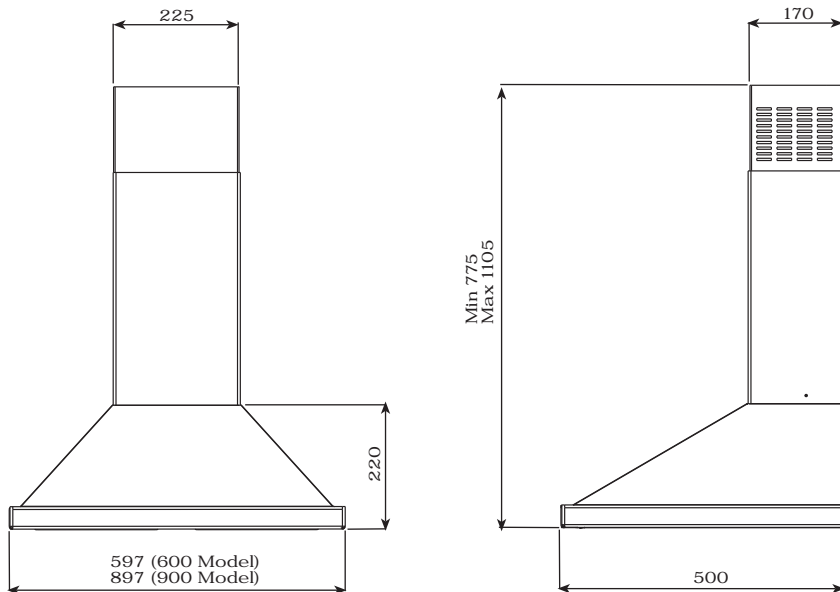
INSTALLATION INSTRUCTION



Note: Generic model is shown.
Actual product may differ.

PLEASE READ THE ENTIRE INSTRUCTION BEFORE INSTALLING THE CANOPY

PRODUCT DIMENSIONS



All dimensions are in millimeters

CANOPY OPERATION

Thank you for purchasing a quality stainless steel canopy rangehood. We have a high standard of quality control and each rangehood is tested and approved before it leaves the factory.

IMPORTANT: Please read prior to installation or operation

- Always switch power off prior to installing, servicing or cleaning the appliance.
- Never use the appliance without filters.
- Please read the notes on general cleaning, especially the filters.
- Exhaust air must not be discharged into a heating flue or wall cavity, unless the cavity is designed for that purpose.
- Areas where the rangehood is installed that also have gas, oil or coal fired heaters, must be well ventilated to prevent a partial vacuum in the room. This includes gas hobs. (A partial vacuum in the room could result in too high a concentration of gas in the atmosphere).
- The appliance is supplied with an approved power cable which must not be changed. If the supply cord of this equipment is damaged, it must only be replaced by the manufacturer or its service agent or similarly qualified person in order to avoid hazard.

Care and attention should always be taken when cooking with oils, alcohol, etc; which give off flammable vapours.

Pre-used oil is especially dangerous in this respect.

Do not use uncovered electrical grill.

To avoid possible risks of fire always comply with the maintenance instruction below.

When making the electrical connection, check that the voltage values correspond to those indicated on the rating plate inside the appliance. The power socket connection is to be easily accessible after installation.

CONTROL PANEL

The light and fan are controlled by a switch in accordance with the graphics printed on the control panel.

MAINTENANCE

Particular care must be taken with grease filters which must be periodically cleaned (at least every two months). Remove the grease filters and wash them either by hand or in the dishwasher using mild detergent. Use lukewarm water and mild detergent to clean stainless steel components. In high humidity and coastal environments, cleaning should be carried out frequently.
CAUTION: Never use products containing abrasive liquid cleaners etc.

INSTALLATION OF UNIT

(Read in conjunction with the following diagrams)

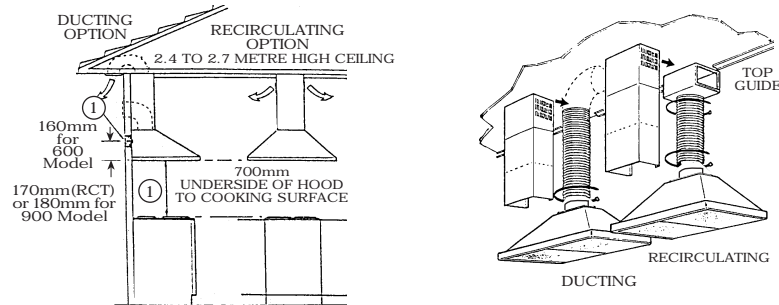
The unit is designed for 2.4 to 2.7 metre high ceiling. The decorative chimney cover is telescopic and is designed for 550 to 850mm adjustment.

Note: Ducting accessories are not supplied. Please refer to the optional ducting kits. The air outlet from the motor requires 125mm round ducting which requires 135mm diameter round hole in the ceiling. This hole will be covered by the decorative chimney. Care should be taken to align canopy with decorative chimney allowing sufficient clearance to accommodate the ducting.

Before starting assembly, read the instructions carefully and remove the filters from canopy to allow access to wall mounting holes. To remove the filters, pull the relative catch and tilting it downwards until it disengages from the supports. Reverse these instructions when refitting the filters.

NOTE: Stainless steel is very easily damaged during installation if abraded or knocked by tools.

INSTALLATION OF THE UNIT



WARNING: The distance between the hob and the mounting holes of the canopy to be at least 860mm for 600 and 870mm (RCT) or 880mm for 900 models to ensure that the fully installed canopy has a clearance of 700mm (recommended height) between the lower part of the hood and the cooking hob. ① Before drilling any holes check the wall and the ceiling are clear of any electrical cables, pipes etc. Fixing to a solid stud is recommended. ①

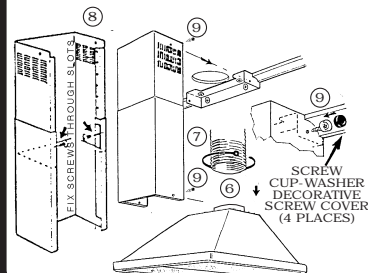
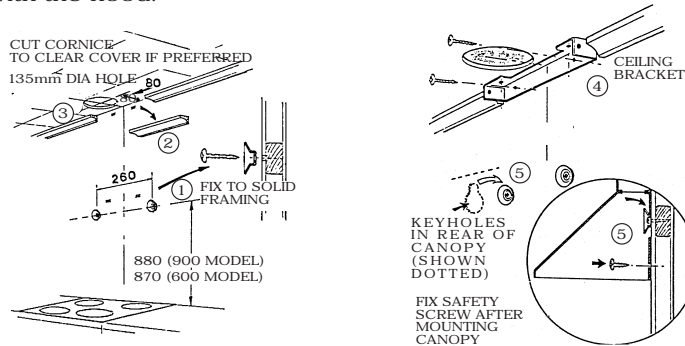
Fix the mounting washers in position shown in diagram. ① Check with spirit level across the washers to ensure they are level.

INSTALLING DUCTING

NOTE: All ducting must comply with local requirements and building codes. Mark the position of decorative chimney at ceiling and wall, cut cornice moulding away if necessary to enable panels to fit flat against the wall and ceiling. ② Mark and cut the hole in the ceiling to fit the ducting (130 to 140mm dia). ③ This is positioned centrally with the canopy and 80mm from the wall.

INSTALLING CEILING BRACKET

Using the supplied screws, fix the ceiling bracket ④ to the wall, checking that it is aligned with the hood.



FINAL ASSEMBLY

Remove protective plastic covering from all parts including filters. Now fit the canopy on the fixed mounting washers. ⑤ Plug in power cord to power supply. Check function of rangehood lights and motor, before continuing assembly. Level the hood and fix with safety screws ⑥. Connect 125mm ducting to top of motor flange and secure ⑦. Assemble the telescopic ducting covers ⑧ to accurately suit the dimension required ⑨ and secure with screws plastic cup washers and plastic caps to the top and bottom of the chimney in 4 places.

INSTALLATION OPTION ACCESSORIES

DUCTED

Use Manufacturer Product code: 1687

Extra lengths or bends may be required depending on the length required & whether there is any structural material in the run, eg rafters.

For optimal efficiency, use smooth ducting for reduced noise and increased airflow. Flexible ducting should only be used as a last resort.

For other Accessories, Parts or Service, please contact your local supplier or approved service agent.

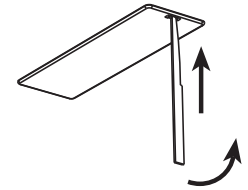
RECIRCULATED

Use Manufacturer Product code:

1746 (for 600mm unit)
1747 (for 900mm unit)

Lamp Replacement

1. Disconnect the Rangehood from power supply.
2. Insert small screwdriver or slim knife as shown, ease catch to side and slip out the diffuser.
3. Replace candle lamp (40 watt max).
4. Slide diffuser back into aperture and 'click' into place.



WARNING

- This appliance is not intended for use by young children or infirm persons without supervision.
- There shall be adequate ventilation of the room when the rangehood is used at the same time as appliances burning gas or other fuels.
- You must read the details concerning the method and frequency of cleaning.
- There is a fire risk if cleaning is not carried out in accordance with the instructions.
- Do not flambé under the rangehood.
- Exhaust air must not be discharged into an existing flue which is used for exhausting fumes from appliances burning gas or other fuels.
- The minimum distance between the hob surface and the lowest part of the rangehood is 600mm. This distance shall be at least 650mm, if the rangehood is installed over a gas hob. (We recommend 700mm)
- Attention should be given to ensure that any applicable regulations concerning the discharge of exhaust air is fulfilled.
- If the supply cord of this equipment is damaged, it must only be replaced by the manufacturer or its service agent or similarly qualified person in order to avoid a hazard.

UNIDUCT
RANGEHOOD DUCTING

RECOMMENDED UNIDUCT DUCTING SYSTEMS FOR RANGEHOODS

MANUFACTURED IN NEW ZEALAND BY:

ROBINHOOD LIMITED

P.O. BOX 51 201, PAKURANGA, AUCKLAND, N.Z.

TEL: +64 9 272 5129 • FAX: +64 9 272 5148

ISO9001 Certified

Electrical Rating:
310W (1.16A)
Max. at 230-240V 50Hz

For service or advice contact:

in New Zealand
Robinhood Ltd
Tel 0800 760 667, Fax 0800 276 246, Email enquiries@robinhood.co.nz

in Singapore
Multico Building Products Pte Ltd
Tel 65 283 8888, Fax 65 283 8138

in Thailand
Verasu Limited Partnership
Tel (662) 254 8100, Fax (662) 253 1574

in Australia
Robinhood Australia Pty Ltd A.C.N. 104298062
Tel 1800 648 556, Fax 1800 628 577, Email enquiries@robinhood.co.nz