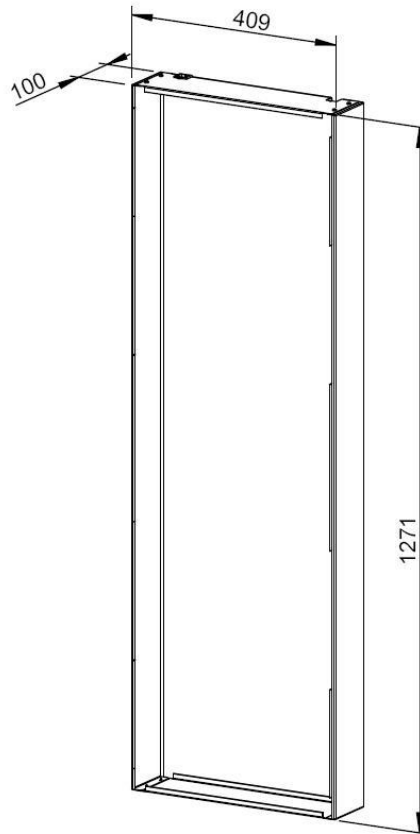


Model Number: **ICSMK**  
Description: **ROBINHOOD IRONING SURFACE MOUNTING KIT**  
Bar Code: **9414930027333**

## Typical design



## Features and benefits

### Features

- Ironing centre can be recess or surface mounted
- Modern styling
- Powder coated galvanized steel panel

### Benefits

- Suitable for all applications, can be installed in both new and existing situations
- Gives a cleaner more contemporary and modern look
- Long lasting and easy to clean
- Corrosion resistant for long life

## Specifications

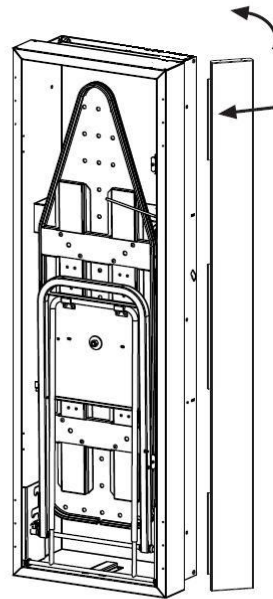
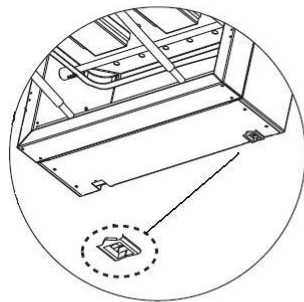
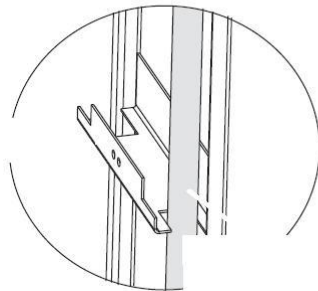
### Technical data:

○ Panel - 0.6mm galvanized sheet metal, powder coated. 12 months warranty

**Weight:** 3.3 kg

**Carton Dimension (mm):** 1335 x 128 x 51 (w x d x h)

**Volume (m3):** 0.0088 m<sup>3</sup>



### New Zealand

Monaco Corporation Ltd  
Telephone: (09) 415 6000  
Facsimile: (09) 415 7400  
Email: [enquiries@robinhood.co.nz](mailto:enquiries@robinhood.co.nz)  
[www.robinhood.co.nz](http://www.robinhood.co.nz)

### Australia

Shriro Australia Pty Ltd  
ABN 28 002 386 129  
Telephone: 1800 648 556  
Facsimile: 1800 628 577  
Email: [enquiries@robinhood.com.au](mailto:enquiries@robinhood.com.au)  
[www.robinhood.com.au](http://www.robinhood.com.au)