

Description: **ROBINHOOD SUPERTUB STX 8001 SERIES SLIM 350MM**  
Model Number: **STX8001SLIM**

## Typical Design



## Features and Benefits

### Features

- Sleek design, fits all the needs for 21<sup>st</sup> century living;
- HDPE (High Density Polyethylene) construction for incredible strength and durability, and it's completely waterproof, rustproof, bacteria, stain and UV resistant and even fully recyclable;
- Seamless stainless steel tub;
- High quality stainless steel tapware for all water pressure;
- Modern overflow design;
- Double storage drawers;
- Hidden plumbing;
- High quality accessories included, sink caddy + accessory tray

### Benefits

- Perfectly fits limited laundry size;
- Increased strength and performance;
- Keeps water contained inside the bowl;
- Ease of operation;
- Easy organization and storage access;
- Long lasting and easy to clean;
- Corrosion resistant for long life;
- Timeless good looking;
- Easy access for washing machine connections and hides unsightly hoses
- Giving a cleaner, more aesthetically pleasing appearance
- Allows washing machine to empty when tub is full
- Capable of working on all water pressure situations above 10 psi

## Specifications

### Technical data:

- Cabinet - 16mm thickness HDPE construction
- Sink – 1.0mm thickness brushed stainless steel; overall size 300\*520\*200mm; bowl size 230mm\*450mm; 19L capacity
- Tap – Gooseneck mixer with swivel spout; S/S 304; WM Licence No. WM-022329
- WELS rating 5 star rated (Australia): 5.5 litres per minute

### Tapware performance data: (L/min)

Tapware	150kPa		250kPa		350kPa		500kPa		Nominal flow rate
	1 <sup>st</sup>	2 <sup>nd</sup>	1 <sup>st</sup>	2 <sup>nd</sup>	1 <sup>st</sup>	2 <sup>nd</sup>	1 <sup>st</sup>	2 <sup>nd</sup>	
STXTAP7107	4.9	4.96	5.46	5.42	5.82	5.77	6.04	6.02	5.39 (5 Star)
	Average		Average		Average		Average		
	4.93		5.44		5.8		6.03		
	Difference between the highest and lowest average: $5.8 - 4.93 = 0.87$ Difference between the highest average flow rate and upper limit: $5.8 < 6.0$ Difference between the lowest average flow rate and lower limit: $4.93 > 4.5$								

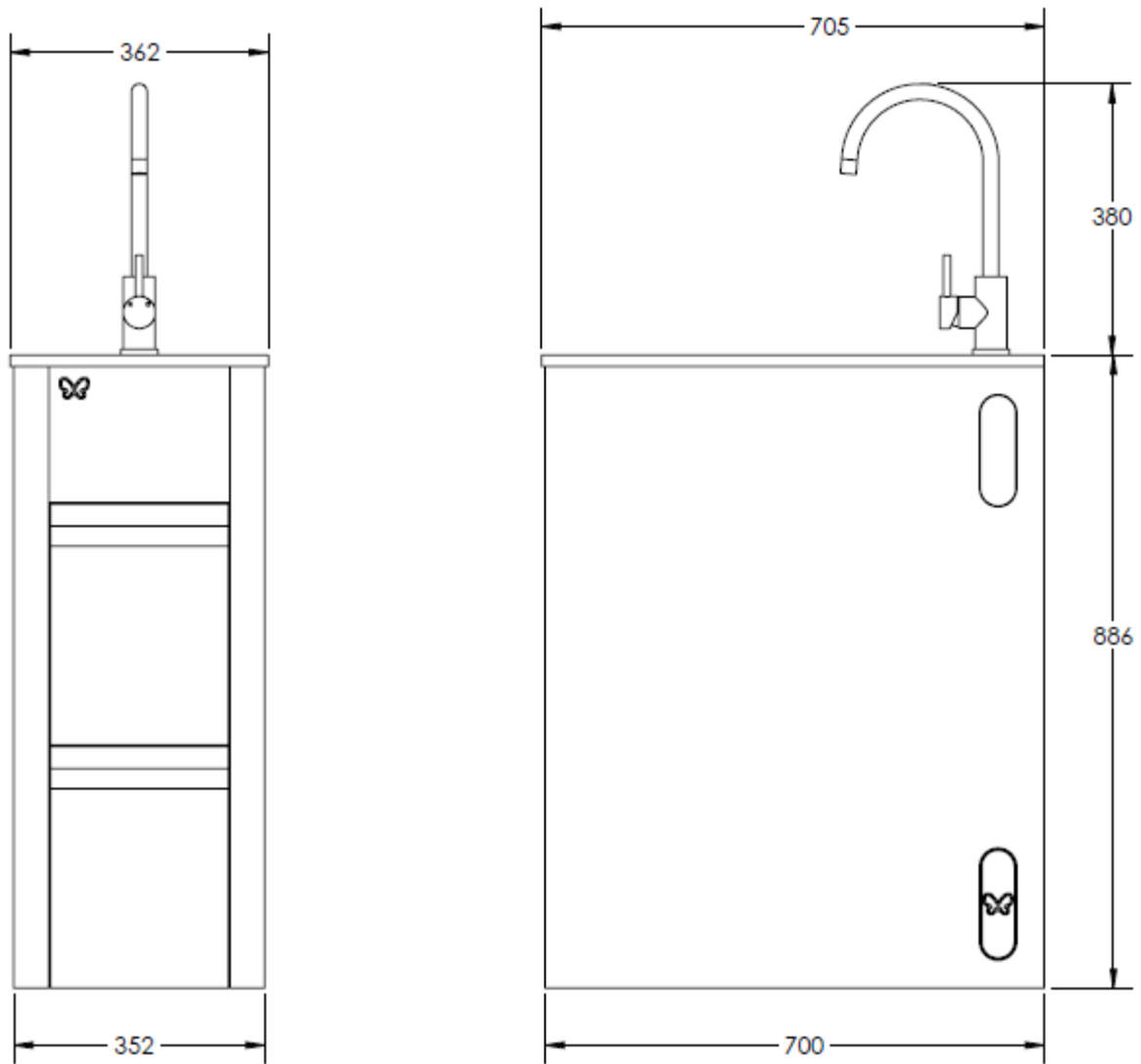
**Nett Weight:** 43 Kg

**Carton Weight:** 45.4 kg

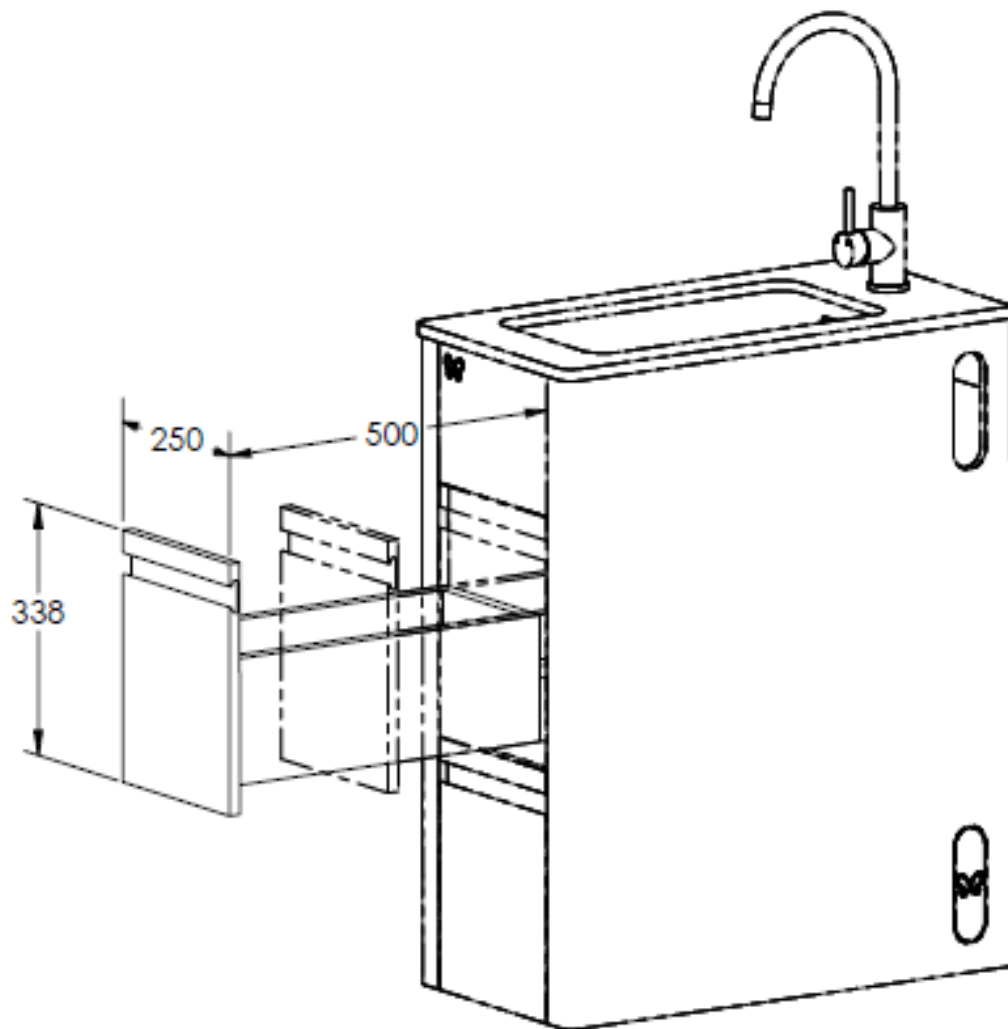
**Carton Dimension (mm):** 905H x 385W x 720D

**Volume (m3):** 0.251 m<sup>3</sup>

## Plan View Dimensions



## Drawer Dimensions and Overview



### New Zealand

Monaco Corporation Ltd  
Telephone: (09) 415 6000  
Facsimile: (09) 415 7400  
Email: [enquiries@robinhood.co.nz](mailto:enquiries@robinhood.co.nz)  
[www.robinhood.co.nz](http://www.robinhood.co.nz)

### Australia

Shriro Australia Pty Ltd  
ABN 28 002 386 129  
Telephone: 1800 648 556  
Facsimile: 1800 628 577  
Email: [enquiries@robinhood.com.au](mailto:enquiries@robinhood.com.au)  
[www.robinhood.com.au](http://www.robinhood.com.au)