

Description: **Robinhood 10 Function Pyrolytic Stainless Steel 60cm Oven**

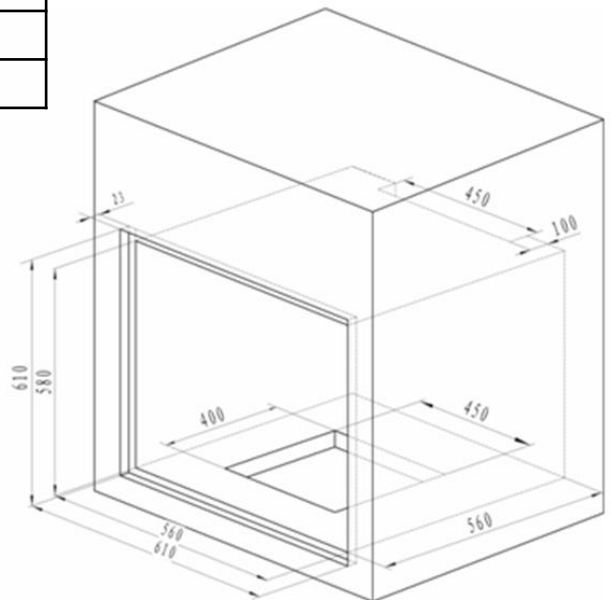
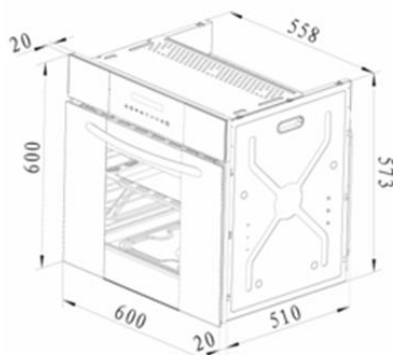
Model Numbers: **OBP6010T56G**

Typical design



Dimensions

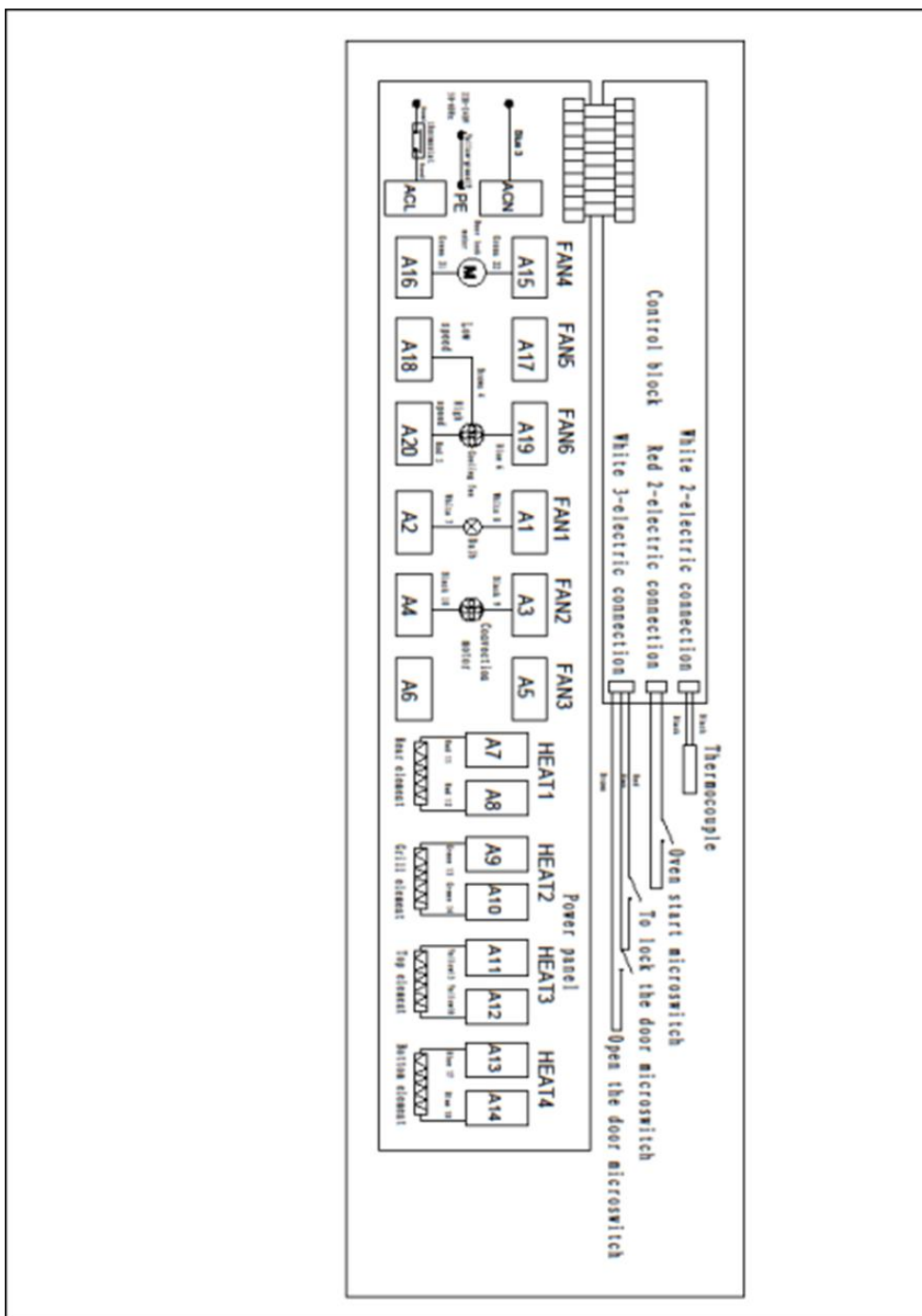
Oven size	57 litres	Oven box size	0.28M3
Width	600mm	Width	660mm
Depth	530mm	Depth	640mm
Height	600mm	Height	660mm



Specifications

Electrical Approval:	A/12993EA
Electrical Standard:	AS/NZ 60335.2.6:2008 inc amendment 1,2 & 3
<u>Electrical specifications</u>	
Voltage:	220-240 / 50hz
Oven wattage:	2700-3220W
Amperage:	Pyrolytic: 15A
	Normal: 10.87A
Top inner heating element:	900W
Top outer heating element:	1350W
Circular heating element:	2300W
Lamp:	25W, AC220V-240V, E 14, 300 degrees centigrade rated
Gross weight:	40kg
Nett weight:	35kg
Carton volume:	0.28m ³
Carton dimensions:	660mm x 640mm x 650mm

Wiring Diagram



New Zealand

Monaco Corporation Ltd
 Telephone: (09) 415 6000
 Facsimile: (09) 415 7400
 Email: enquiries@robinhood.co.nz
 www.robinhood.co.nz

Australia

Shriro Australia Pty Ltd
 ABN 28 002 386 129
 Telephone: 1800 648 556
 Facsimile: 1800 628 577
 Email: enquiries@robinhood.com.au
 www.robinhood.com.au