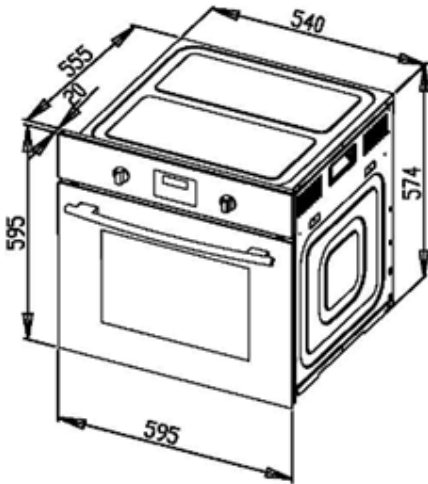


Description: **Robinhood 60cm Built-in Oven 9 Function with Digital Programme Timer**

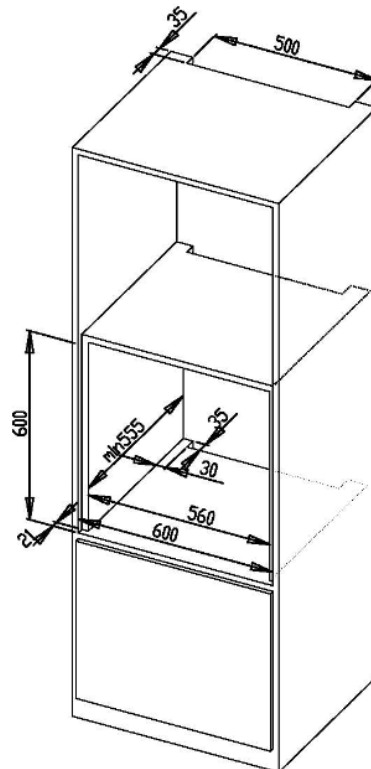
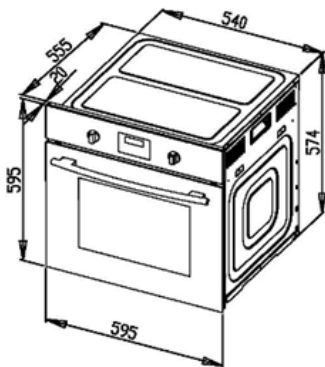
Model Numbers: **OBD609K65SS**

Typical design



Dimensions

Oven Capacity	65 litres
Width	595mm
Depth	555mm
Height	595mm



Specifications

Electrical Approval: NSW27101/2
Electrical Standard: AS/NZS 60335.2.6:2008 inc, amendment 1,2 & 3

Oven Functions

- Defrost
- Lower element with fan (Pizza function)
- Conventional cooking (Bake)
- Fan assist (Fan bake)
- Grill
- Maxi-grill
- Maxi-grill with rear fan
- Rear element with fan (Fan forced)
- Light only

Electrical specifications

Voltage: 220-240 / 50hz
Oven wattage: 2300W
Top inner heating element: 1350W
Top outer heating element: 900W
Circular heating element: 1800W
Lamp: 25W, AC220V-240V, E 14, 300 degrees centigrade rated



Gross weight: 35kg
Nett weight: 33kg
Carton volume: 0.28m³
Carton dimensions: 660mm x 640mm x 650mm

New Zealand

Monaco Corporation Ltd
Telephone: (09) 415 6000
Facsimile: (09) 415 7400
Email: enquiries@robinhood.co.nz
www.robinhood.co.nz

Australia

Shiro Australia Pty Ltd
ABN 28 002 386 129
Telephone: 1800 648 556
Facsimile: 1800 628 577
Email: enquiries@robinhood.com.au
www.robinhood.com.au