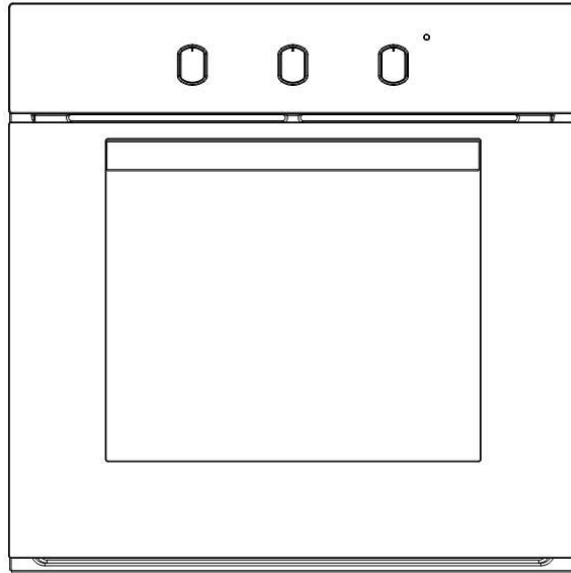


Description: **Robinhood 9 Function Fan Forced 60cm Oven**

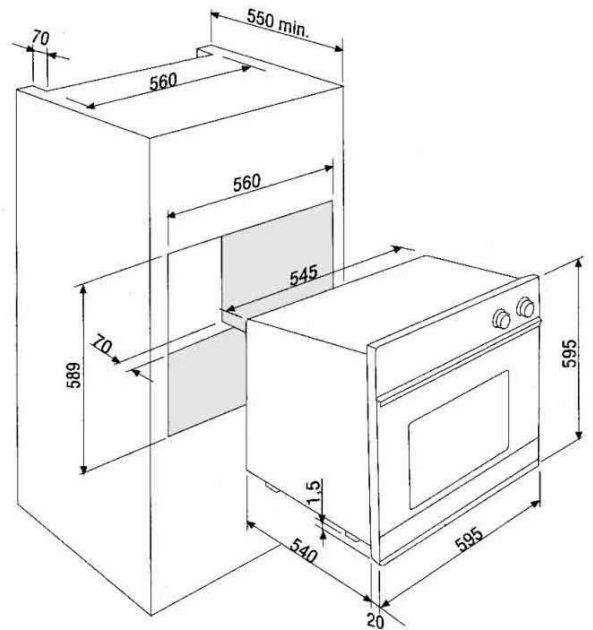
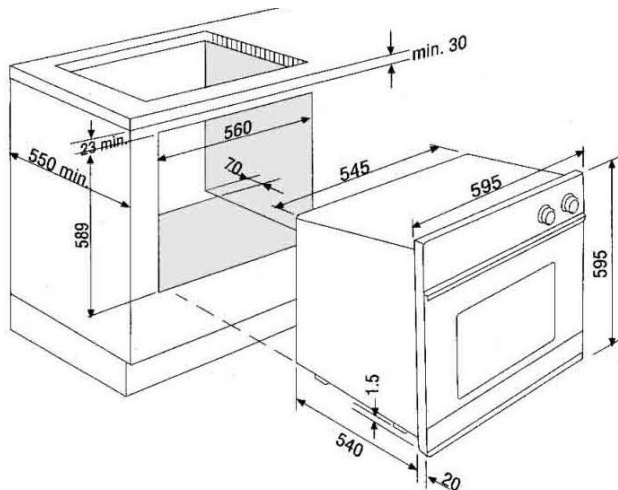
Model Numbers: **OBB609K56SS**

## Typical design



## Dimensions

Oven size	56 litres
Width	595mm
Depth	540mm
Height	595mm



# Specifications

**Electrical Approval:** A/13501EA  
**Electrical Standard:** AS/NZS 60335.2.6:2008 inc, amendment 1,2 & 3

## Electrical specifications

**Voltage:** 220-240 / 50hz  
**Oven wattage:** 2700-3220W

**Bottom heating element:** 1200W  
**Top heating element:** 1000W  
**Medium grill element:** 1900W  
**Total grill element:** 1000+1900W  
**Circular heating element:** 2100W  
**Lamp:** 15W, AC220V-240V, E 14, 300 degrees centigrade rated

**Gross weight:** 39kg  
**Nett weight:** 35kg  
**Carton volume:** 0.29m3  
**Carton dimensions:** 655mm x 655mm x 670mm

### **New Zealand**

Monaco Corporation Ltd  
Telephone: (09) 415 6000  
Facsimile: (09) 415 7400  
Email: [enquiries@robinhood.co.nz](mailto:enquiries@robinhood.co.nz)  
[www.robinhood.co.nz](http://www.robinhood.co.nz)

### **Australia**

Shriro Australia Pty Ltd  
ABN 28 002 386 129  
Telephone: 1800 648 556  
Facsimile: 1800 628 577  
Email: [enquiries@robinhood.com.au](mailto:enquiries@robinhood.com.au)  
[www.robinhood.com.au](http://www.robinhood.com.au)