

Description: **Robinhood Alto 60cm 10 Function Fan Forced Oven with Rotisserie**

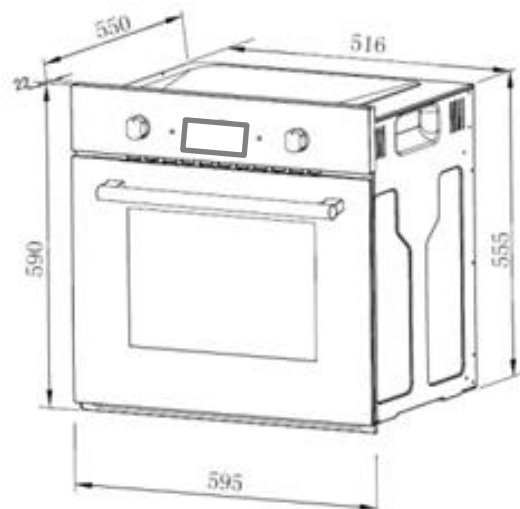
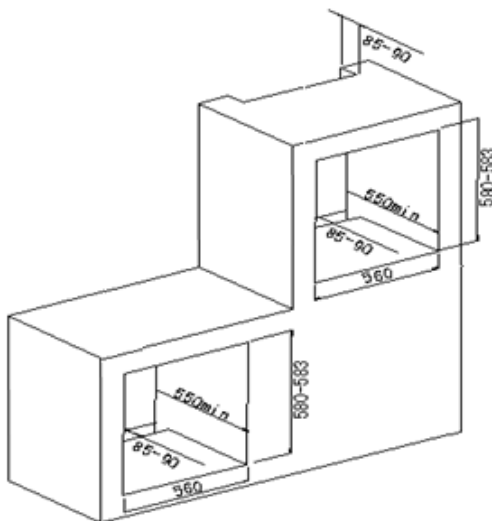
Model Numbers: **OBAC610D57SS**

Typical design



Dimensions

Oven size	57 litres
Width	595mm
Depth	550mm
Height	590mm



Specifications

Electrical Approval: A/NSW27101
Electrical Standard: AS/NZS 60335.2.6:2008 inc, amendment 1,2 & 3

Electrical specifications

Voltage: 220-240 / 50hz
Oven wattage: 2300W
Top inner heating element: 900W
Top outer heating element: 1350W
Bottom heating element: 1000W
Rear heating element: 2300W
Lamp: 25W, AC220V-240V, E 14, 300 degrees centigrade rated

Oven Functions:



Gross weight: 40kg
Nett weight: 35kg
Carton volume: 0.28m³
Carton dimensions: 660mm x 640mm x 650mm

New Zealand

Monaco Corporation Ltd
Telephone: (09) 415 6000
Facsimile: (09) 415 7400
Email: enquiries@robinhood.co.nz
www.robinhood.co.nz

Australia

Shiro Australia Pty Ltd
ABN 28 002 386 129
Telephone: 1800 648 556
Facsimile: 1800 628 577
Email: enquiries@robinhood.com.au
www.robinhood.com.au