

Description: **Robinhood Alto 60cm 6 Function Fan Forced Oven**

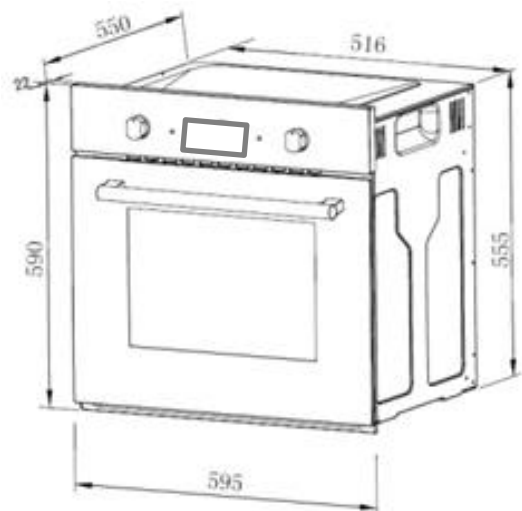
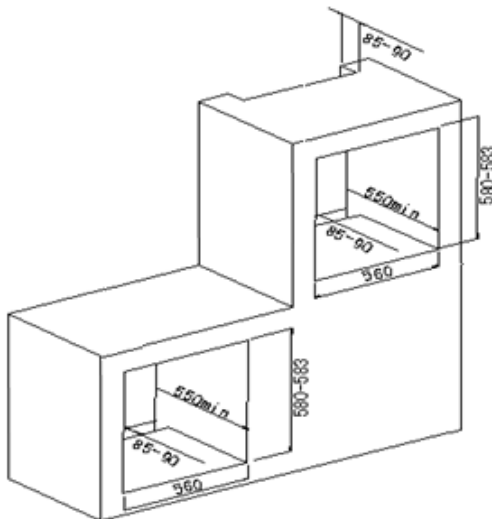
Model Numbers: **OBAC606D57SS**

## Typical design



## Dimensions

Oven size	57 litres
Width	595mm
Depth	550mm
Height	590mm



# Specifications

**Electrical Approval:** A/NSW27101  
**Electrical Standard:** AS/NZS 60335.2.6:2008 inc, amendment 1,2 & 3

## Electrical specifications

**Voltage:** 220-240 / 50hz  
**Oven wattage:** 2300W  
**Top heating element:** 900W  
**Bottom heating element:** 1300W  
**Rear heating element:** 2300W  
**Lamp:** 25W, AC220V-240V, E 14, 300 degrees centigrade rated

## Oven Functions:



Light



Defrost



Fan Forced



Fan & Top Heat



Fan & Bottom Heat



Intensive Bake

**Gross weight:** 40kg  
**Nett weight:** 35kg  
**Carton volume:** 0.28m<sup>3</sup>  
**Carton dimensions:** 660mm x 640mm x 650mm

### New Zealand

Monaco Corporation Ltd  
Telephone: (09) 415 6000  
Facsimile: (09) 415 7400  
Email: [enquiries@robinhood.co.nz](mailto:enquiries@robinhood.co.nz)  
[www.robinhood.co.nz](http://www.robinhood.co.nz)

### Australia

Shiro Australia Pty Ltd  
ABN 28 002 386 129  
Telephone: 1800 648 556  
Facsimile: 1800 628 577  
Email: [enquiries@robinhood.com.au](mailto:enquiries@robinhood.com.au)  
[www.robinhood.com.au](http://www.robinhood.com.au)