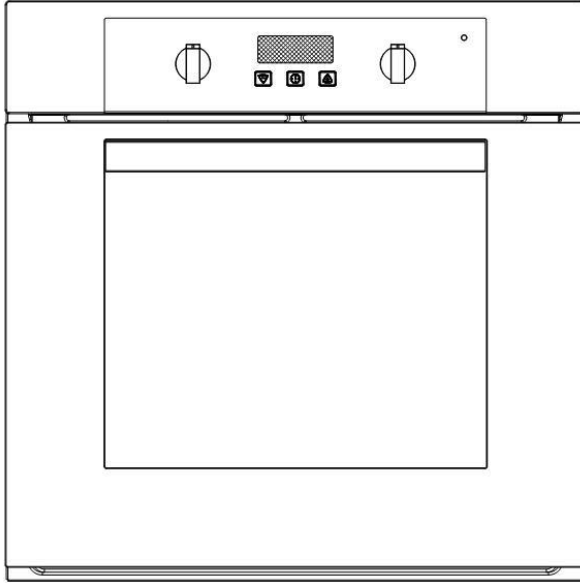


Description: **Robinhood 9 Function Fan Forced 60cm Oven**

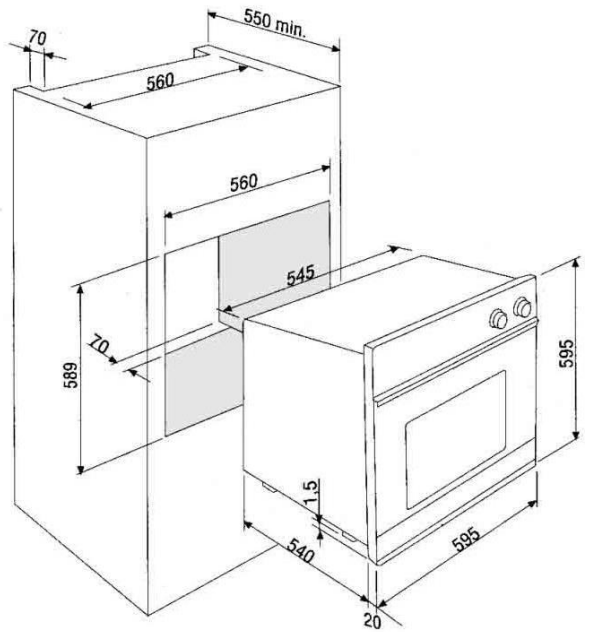
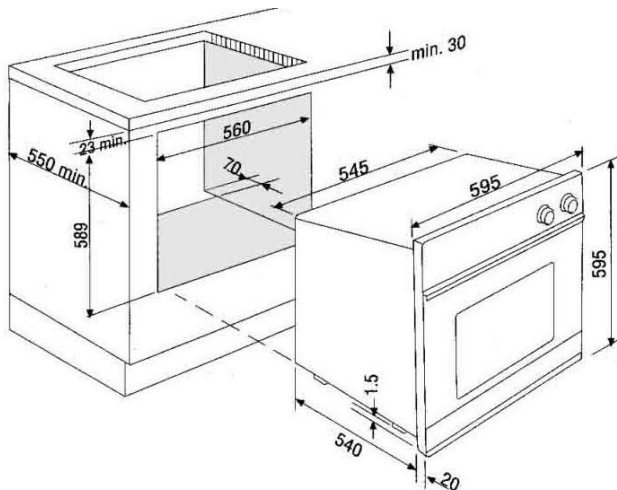
Model Numbers: **OBA609C56SS**

Typical design



Dimensions

Oven size	56 litres
Width	595mm
Depth	540mm
Height	595mm



Specifications

Electrical Approval: A/13501EA
Electrical Standard: AS/NZS 60335.2.6:2008 inc, amendment 1,2 & 3

Electrical specifications

Voltage: 220-240 / 50hz

Oven wattage: 2700-3220W

Bottom heating element: 1200W

Top heating element: 1000W

Medium grill element: 1900W

Total grill element: 1000+1900W

Circular heating element: 2100W

Lamp: 15W, AC220V-240V, E 14, 300 degrees centigrade rated

Gross weight: 39kg

Nett weight: 35kg

Carton volume: 0.29m3

Carton dimensions: 655mm x 655mm x 670mm

New Zealand

Monaco Corporation Ltd
Telephone: (09) 415 6000
Facsimile: (09) 415 7400
Email: enquiries@robinhood.co.nz
www.robinhood.co.nz

Australia

Shriro Australia Pty Ltd
ABN 28 002 386 129
Telephone: 1800 648 556
Facsimile: 1800 628 577
Email: enquiries@robinhood.com.au
www.robinhood.com.au