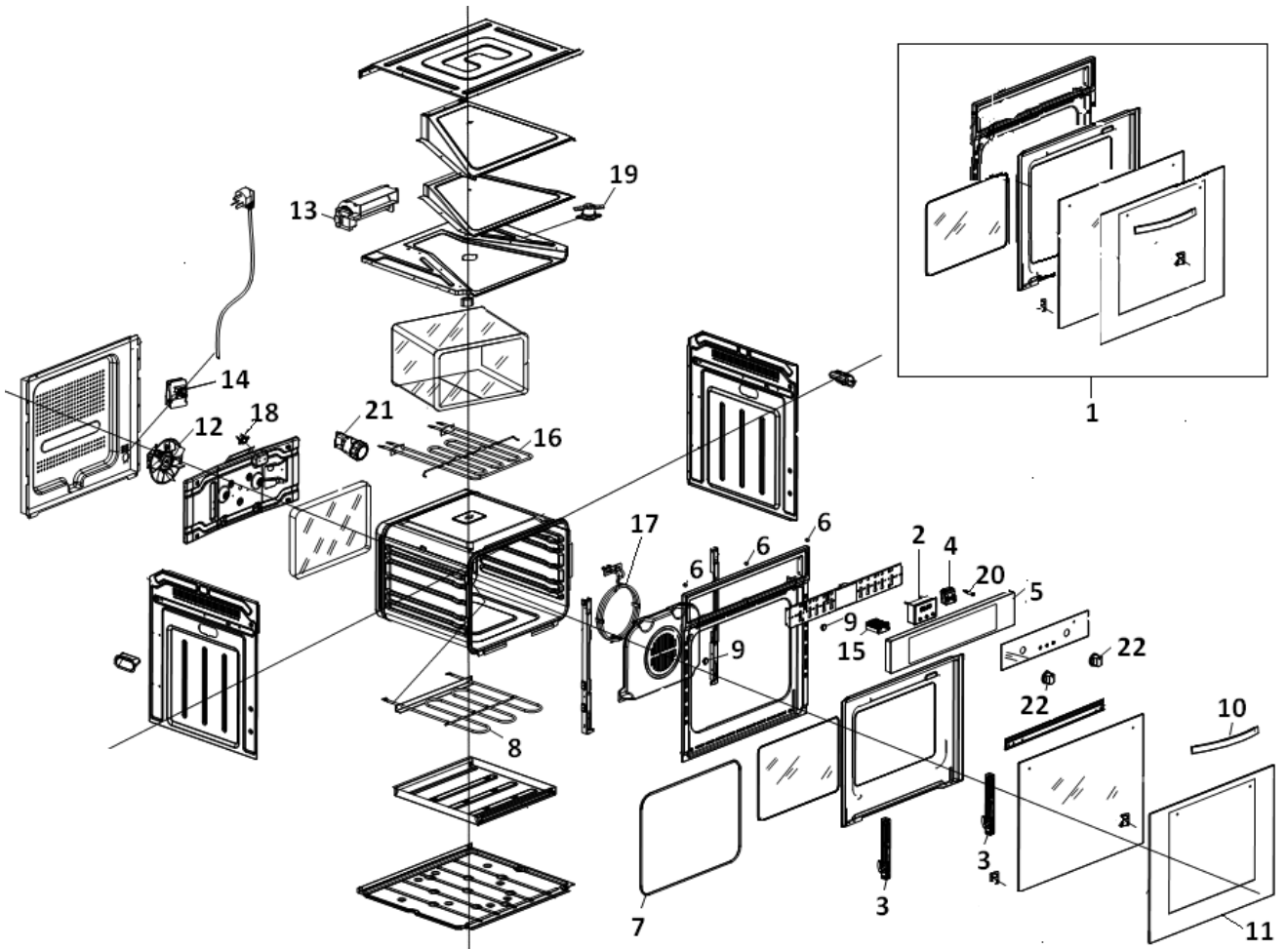


Description:

Robinhood Electric Oven 9 Function Fan Forced 60cm

Model Numbers:

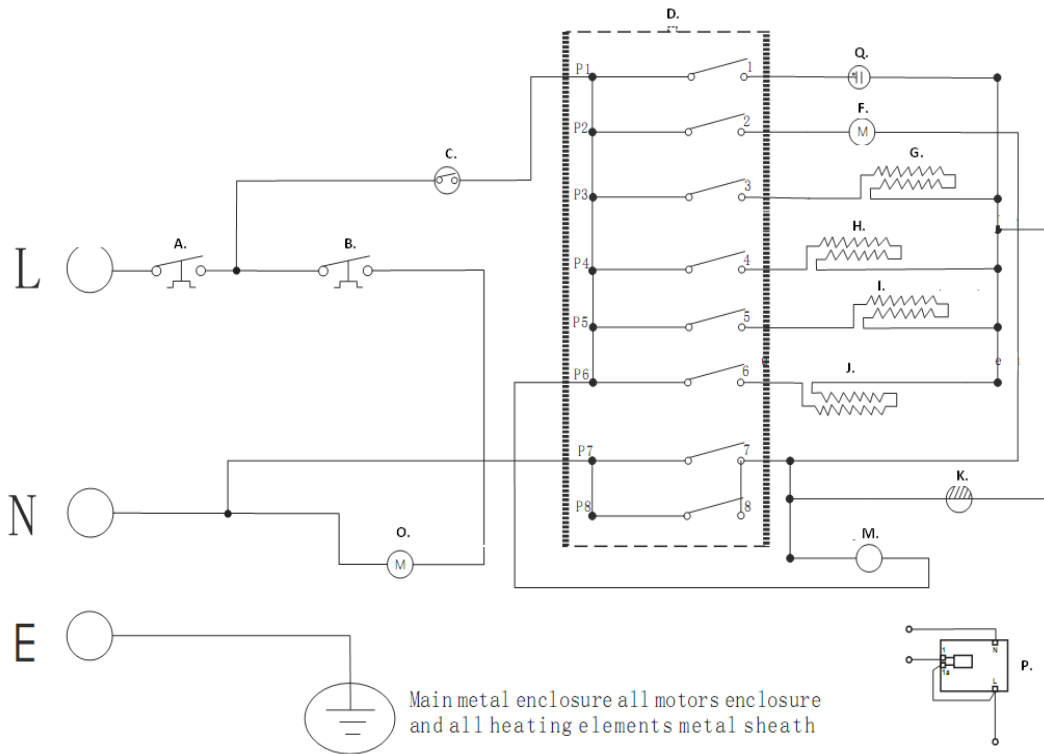
OBA609C56SS



Parts list

Item	Description	Part number
1	Door sets including handle	300375
2	Digital programmer	300376
3	Oven door hinge / catch	300377
4	Temperature sensing control	300378
5	Control panel	300379
6	Plastic gasket for control panel	300380
7	Oven door seal	300381
8	Lower heating element	300382
9	Plastic gasket for door	300383
10	Door handle	300384
11	Stainless steel panel	300385
12	Fan blade for cooling motor	300386
13	Motor for cooling fan	300387
14	Electrical connection box	300388
15	Switch	300389
16	Upper heating element	300390
17	Circular heating element	300391
18	125°thermostat	300392
19	50°thermostat	300393
20	Indication light	300394
21	Lamp	300395
22	Control knobs	300445
NS	Installation kit	300444

Wiring diagram



Main metal enclosure all motors enclosure
and all heating elements metal sheath

Legend		
A. Thermal cut-out 125C	G. Circle heating element (2100W)	M. Lamp (15W)
B. Thermostat 50C	H. Inside tube of total grill heating element (1900W)	O. Exhaust fan motor (15W)
C. Electronic timer	I. Lower heating element (1200W)	P. Electronic timer
D. Function switch	J. Outer tube of total grill heating element (1000W)	Q. Indicator
F. Fan motor (25W)	K. Thermostat (Control Oven centre)	

THE ENCLOSED ELECTRICAL DIAGRAM IS INTENDED FOR
SERVICE PERSONNEL ONLY

New Zealand

Parbury Ltd
Telephone: 0800 760 667
Facsimile: 0800 276 246
Email: enquiries@robinhood.co.nz
www.robinhood.co.nz

Australia

Parbury Pty Ltd
ABN 83004568138
Telephone: 1800 648 556
Facsimile: 1800 628 577
Email: enquiries@robinhood.com.au
www.robinhood.com.au