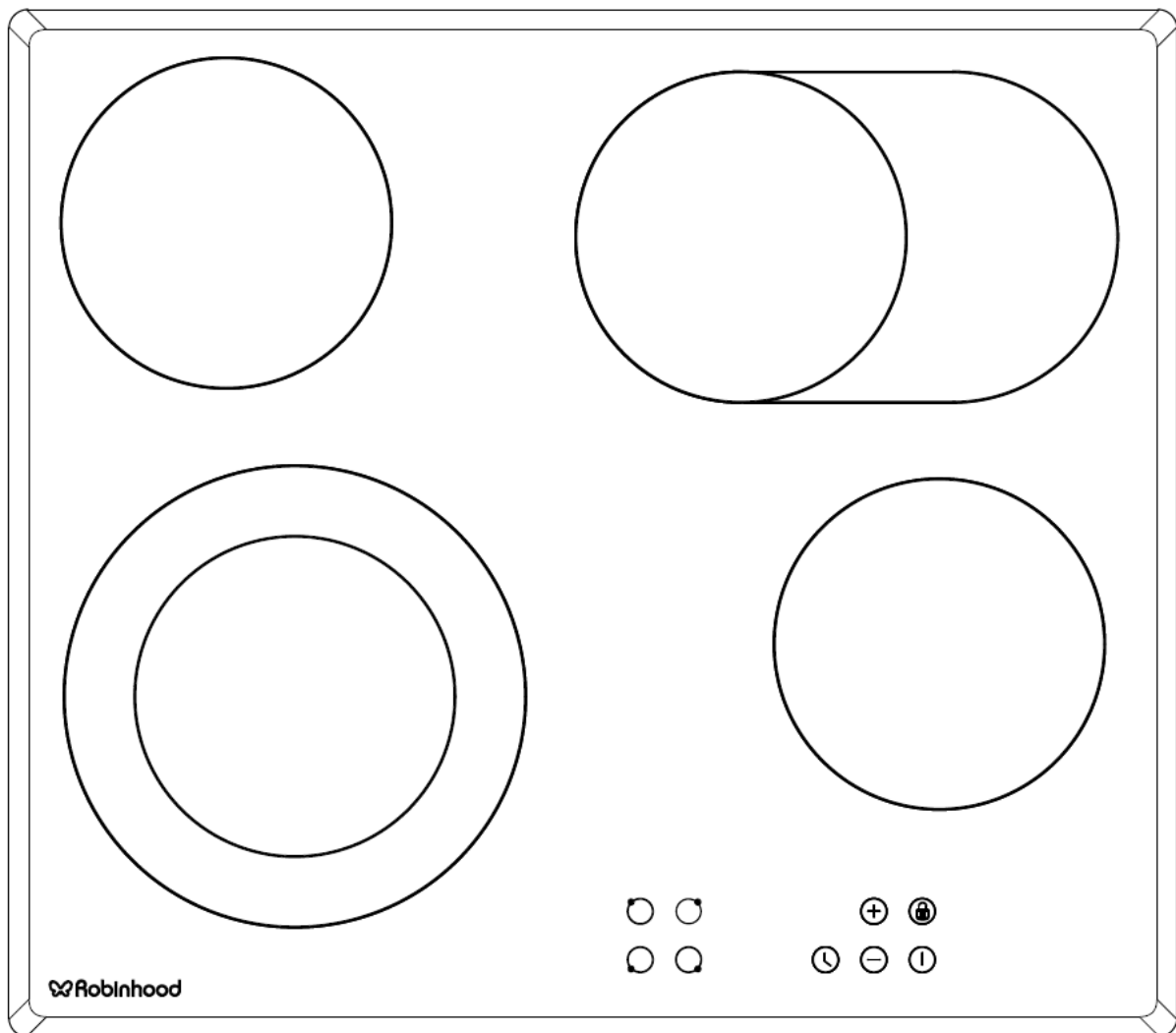


Description: **ROBINHOOD 60CM CERAMIC COOKTOP TOUCH CONTROL**

Model Number: **HEH604TBG**



# Contents

## Congratulations!

Thank you for choosing one of our appliances. Before you use the appliance, we strongly recommend that you read through the whole user manual which provides important safety instructions and description of the product and the proper use of its functions.

To avoid the ever-present risks involved with using an electrical appliance it is vital that the oven is installed correctly and that you read the safety instructions carefully to avoid misuse and hazards. It is important that you retain these instructions and your proof of purchase along with any other important documents about this product for future reference.

Due to continual product development, Robinhood reserves the right to alter specifications or appearances without notice.

Important Safety Instructions.....	1
Installation .....	3
Appliance details .....	5
Electrical connection .....	6
Operating Instructions.....	7
Cleaning and Maintenance .....	11
Warranty Certificate (New Zealand).....	13

## Disposal Information

- Most of the packing materials are recyclable. Please dispose of these materials through your local recycling depot or by placing them in appropriate collection containers.
- If you wish to discard this product, please contact your local authorities and ask for the correct method of disposal.

## Important Safety Instructions

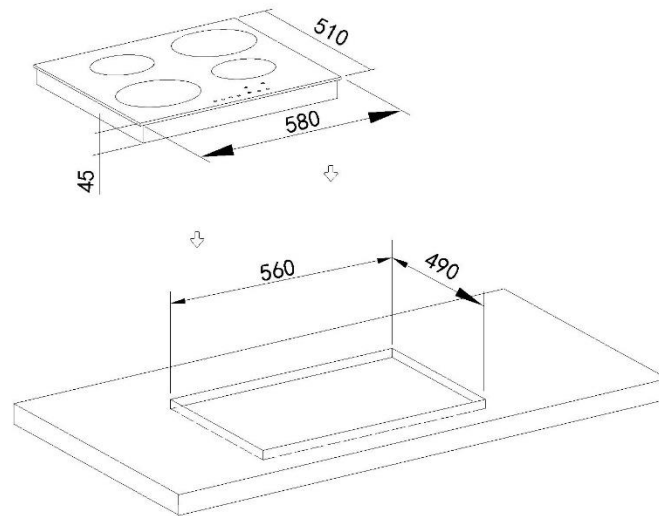
- This appliance is not intended for use by persons (including children) with reduced physical, sensory or mental capabilities, or lack of experience and knowledge, unless they have been given supervision or instruction concerning use of the appliance by a person responsible for their safety. Children should be supervised to ensure that they do not play with the appliance.
- Do not leave this cooktop unattended or unsupervised whilst children or infirmed are present.
- Accessible parts will become hot when in use and directly after use, care should be taken to avoid touching the burners. To avoid burns and scalds keep children away.
- The installation of this cooktop is to be carried out by using only a qualified electrician.
- This cooktop is to be installed in accordance with the local, national building, electrical and plumbing codes.
- If the power supply cable is damaged, it must be replaced by the manufacturer or its service agent or similarly qualified person to avoid a hazard.
- The cooktop is not intended to be operated by means of an external timer or separate remote-control system.
- If the surface is cracked, switch off the appliance to avoid the possibility of electric shock, for cooktop surfaces of glass-ceramic or similar material which protect live parts
- **CAUTION** – The cooking process must be supervised. A short term cooking process must be supervised continuously.
- **Warning** – Unattended cooking on a cooktop with fat or oil can be dangerous and may result in a fire.
- Danger of fire: Do not store items on the cooking surfaces.
- **WARNING:** If the surface is cracked, switch off the appliance to avoid the possibility of electric shock.
- Metallic objects such as knives, forks, spoons and lids should not be placed in the hob surface since they can get hot.
- The appliance may be built-in and connected to the power supply only by a qualified technician. Particular areas of the cooktop surface (adjacent to the hotplates) are hot during operation.
- Hot oil ignites readily, so be sure have the preparation of such food (fries) under constant control. Hotplates may not be left in operation empty, without any dishes on top.
- Never use the appliance as a room heater.
- Never use the ceramic-glass cooktop as a working surface. Sharp objects may damage the cooktop surface.
- Never place any metal objects upon the ceramic hotplate, such as knives, forks, spoons, pot lids, and the like, as they may get very hot.
- Preparation of food in aluminum or plastic cookware is not allowed. Never place any plastic objects or aluminum foil upon the cooktop surface.
- In case any other appliances are plugged in the electric mains close to the cooktop, prevent contact of the plug cable with the hot cooking zones.
- Never keep any flammable or temperature sensitive objects, like cleaning agents, sprays, detergents, etc., below or near the appliance.
- **WARNING:** If the surface is cracked, switch off the appliance to avoid the possibility of an electric shock. Never use cracked or broken ceramic-glass cooktop. In case you notice any visible cracks on the surface, cut the power supply immediately and contact Customer Service.
- In case of any malfunction, disconnect the appliance from the power supply and call customer service.
- Do not use high-pressure steam cleaner or hot steam to clean the appliance.
- The appliance is manufactured in compliance with the relevant safety standards.
- If the electrical supply is restricted, means of an all-plug disconnection must be accessible and incorporated in the fixed wiring, in accordance with the wiring rules.

## Installation Warnings

- The appliance must be installed by a qualified person in accordance with local and national building regulations.
- Panels and furniture lining of the kitchen cabinet receiving the cooktop must be treated with temperature-resistant adhesives 80°C (otherwise they may become discolored or deformed due to inadequate temperature resistance).
- The cooktop is intended for installation into a benchtop above a kitchen cabinet of min 600mm width or more.
- The distance between the cooking surface of the cooktop and any cabinets or rangehoods above must be no less than 650mm. Take note that the instruction manual for the rangehood may specify a different minimum distance. If so, the greater distance must be used.
- The use of hard wood decorative borders around the worktop behind the appliance is allowed, in case the minimum distance remains as indicated on the installation illustrations.
- Minimum distance between the built-in cooktop and rear wall is indicated at the illustration for the installation of the built-in cooktop.
- Ceramic cooktop may be installed into benchtop between 25mm to 40mm thick.
- Kitchen cabinet must not have a drawer directly below cooktop. It must be fitted with a horizontal board at least 30mm away from the cooktop bottom surface. Space between the plate and the cooktop must be empty and no objects may be stored or kept there. The board should be removable (access during maintenance) and comply with the ventilation requirements in this manual.
- The rear side of the kitchen element must also have a 50mm high opening along the entire width of the element, and the front part must have an opening of no less than 10mm.
- Incorporation of the oven under the ceramic cooktop is permissible for ovens equipped with a cooling fan. Do not install the appliance above a dishwasher or refrigerator.

# Installation

## Built-in ceramic cooktop cutout dimensions



## Preparing the unit for a built-in appliance



### WARNING

- The kitchen units that are in direct contact with the appliances must be heat-proof (min. 95°).
- The appliance can be installed on a work surface with a thickness of between 30 and 40 mm and near to walls which are higher than the work surface, maintaining a minimum distance of 100 mm.
- Carry out all cutting of the unit and work surface then carefully remove shavings or sawdust before inserting the appliances.
- To ensure a correct ventilation of the hob please comply with the dimensions shows in figures.
- Always refer to the manufacturer for specific instructions,
- Make sure the surface is level and square and that no part interferes with the space required for installation.
- Prepare the cut as indicated (see installation dimensions).

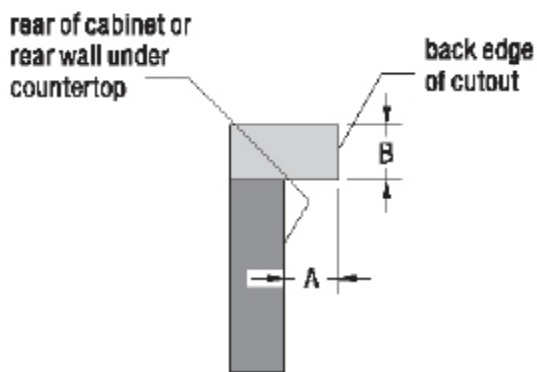
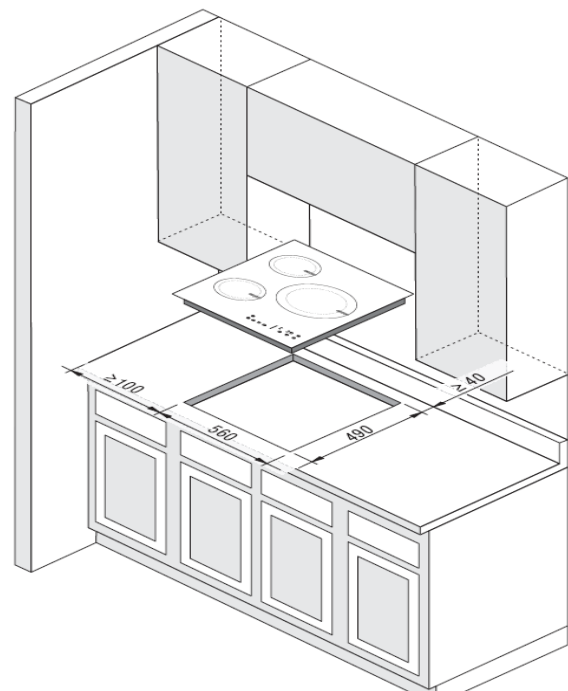


Fig.5

A. 40mm min  
B. 40mm max



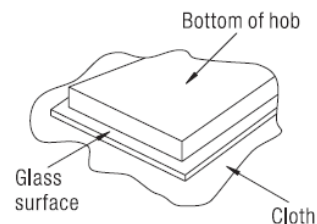
# Installation

## Installing the hob

Remove the material and envelope of documents from the packaging. Before proceeding with installation read the work instructions carefully.

### Step.1

Put a towel or cloth on the work surface. Place the hob face down on the protected surface.



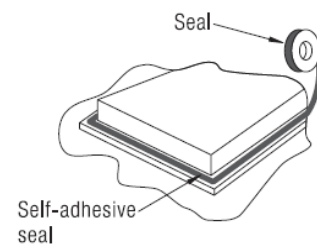
### Step.2

Apply the strip seal, supplied with the hob, which is for sealing it onto the work surface.

Do not use silicone. Apply the seal to the edge of the bottom of the hob, leaving about 3mm from the edge of the glass.

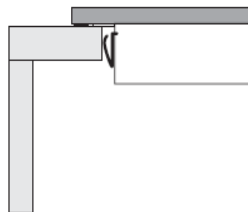
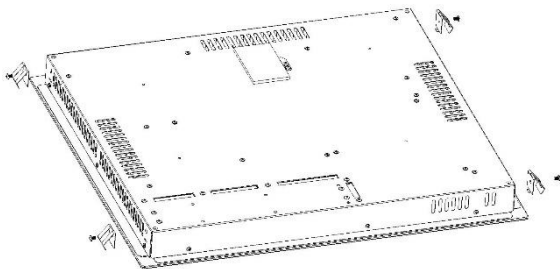
Apply the seal all around the circumference.

Cut any excess and bring the two ends of the seal together so they match.



### Step.3

Fix the brackets (4 pcs) on the front side and rear side by screw. Put the hob in the cut-out cabinet, and make it centered. Ensure that the front edge of the hob is parallel to the side edge of the work surface.

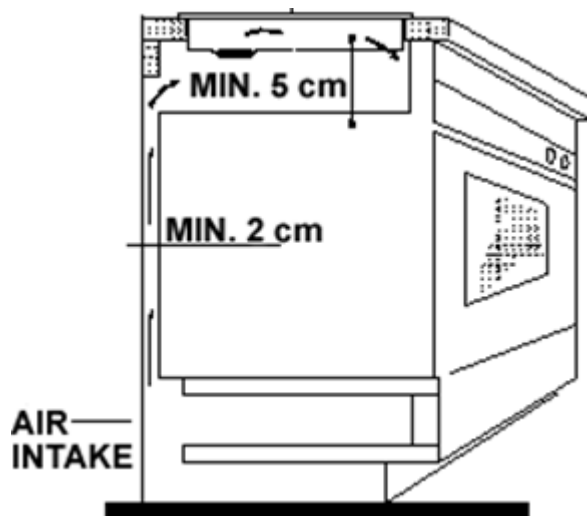


**IMPORTANT:** You must observe the ventilation requirements shown in the drawing opposite.

- **IMPORTANT:** There are ventilation holes around the outside of the hob. YOU MUST ensure that these holes are not blocked by the work top, when you put the hob into position (see drawing opposite).

- **IMPORTANT:** Do not use a silicon sealant to seal the appliance against the aperture. This will make it difficult to remove the hob from the aperture in future, particularly if it needs to be serviced.

- Carefully turn the hob back over and then gently lower it into the aperture hole that you have cut out.



# Appliance details

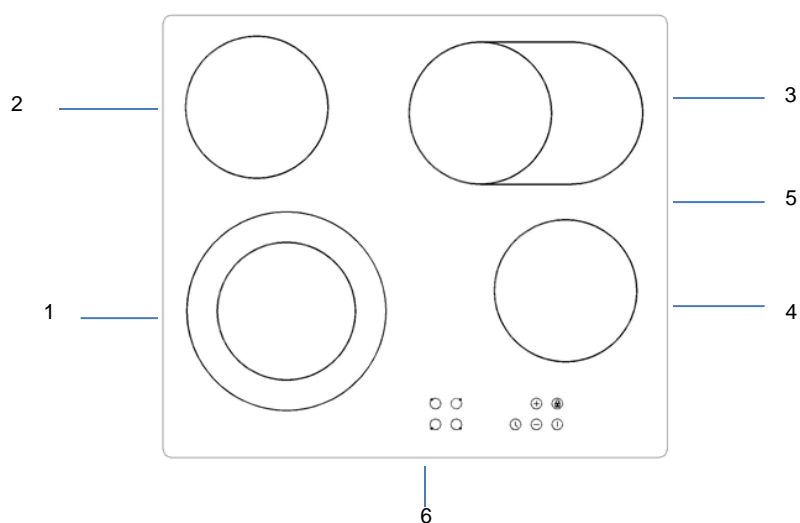
## General Information

Before installing and operating the cooktop, carefully read the following important information regarding installationsafety and maintenance. Keep this information booklet accessible for further consultations.

## Specifications

Model	HEH604TBG
Cooking Zones	4 Zones
Supply Voltage	220-240V or 380-420V 50 Hz
Rated Power	6600 W
Product Size D×W×H (mm)	580 x 510 x 45

## Top View



1. Max. 2200/1000W Zone
2. Max. 1200W Zone
3. Max. 2000/1100W Zone
4. 1200W Zone
5. Glass plate
6. Control panel

# Electrical connection

## LOCAL AUTHORITY REQUIREMENTS



Installation is only permitted by a licensed electrician and carried out according to instructions provided by the manufacturer. Incorrect installation might cause harm and damage, for which the manufacturer accepts no responsibility.

### Electrical Installation

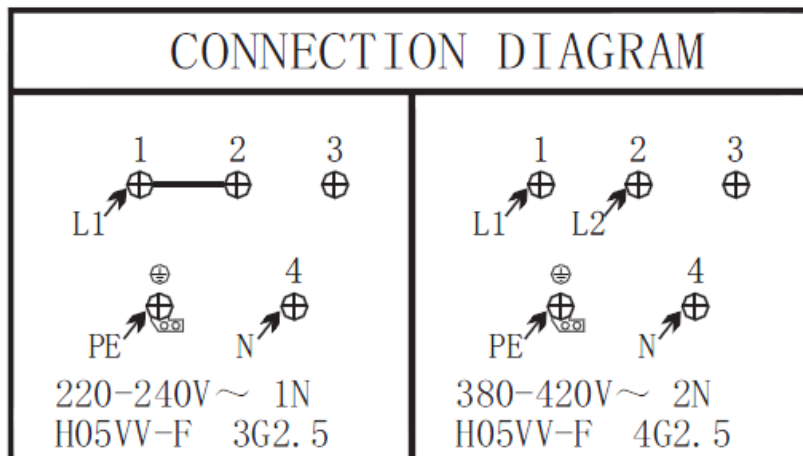
Before carrying out the connection to the power supply, the voltage rating of the appliance (stamped on the appliance identification plate) must be checked for correspondence to the available mains supply voltage, and the mains electric wiring should be capable of handling the oven's power rating (also indicated on the identification plate). If you have any doubts, call in a qualified technician.

**NOTE:** For connections to the mains power supply, never use adapters, reductions or multiple power points as these may overheat and catch fire. Do not install separate timers. After having installed the appliance, the switched outlet must always be in an accessible position. The electrical safety of this appliance can only be guaranteed if the cooktop is correctly and efficiently earthed, always ensure that the earthing is efficient; if you have any doubts call in a licensed electrician to check the system. The manufacturer declines all responsibility for damage resulting from an installation which has not been correctly earthed.

**WARNING:** If any damage occurs to the power cable during or after installation, it must be replaced immediately by a licensed electrician with a replacement cable from your Service Centre.

The cooktops are to be connected to a single phase 220-240Vac or 3 phase 380-420Vac, 50 Hz supply.

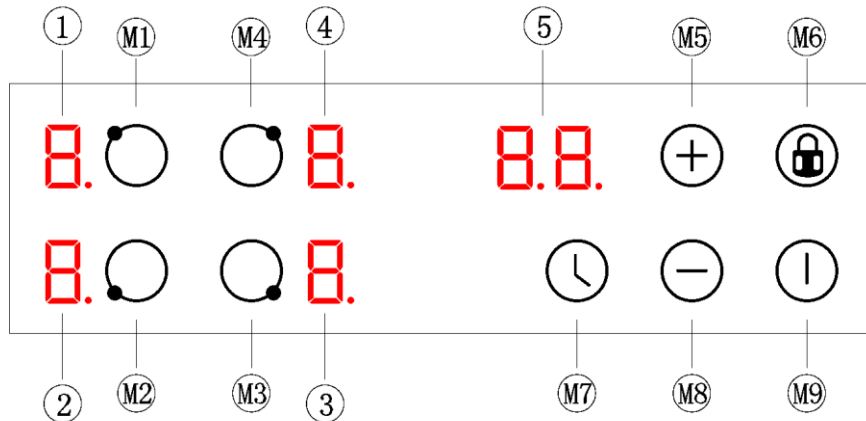
The appliance is designed for fixed connection to the mains. Means for disconnection with a suitable - isolating switch must be incorporated in the fixed wiring in accordance with the wiring rules. The power supply cord must not touch against any hot surfaces and must be placed so that its temperature does not exceed 75 °C at any point along its length.





# Operating Instructions

## Control Panel



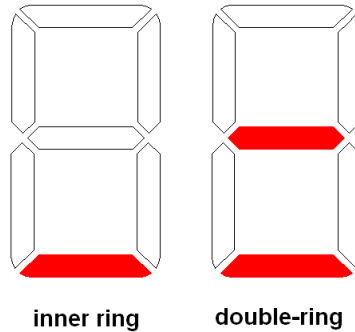
cons & programming button	Function
M1	NO.1 cooking zone select button
M2	NO.2 cooking zone select button
M3	NO.3 cooking zone select button
M4	NO.4 cooking zone select button
M5	Plus button: for adding time and power level
M6	Child safety lock button: press and hold to lock or unlock the control panel
M7	Timer selector: timing for each cooking zone
M8	Minus button: for reducing time and power level
M9	Power button: press and hold to turn on or off the hob

Indicator light	Function
1	NO.1 cooking zone indicating digital tube: display the power level, high temperature warning symbol etc.
2	NO.2 cooking zone indicating digital tube: display the power level, high temperature warning symbol etc.
3	NO.3 cooking zone indicating digital tube: display the power level, high temperature warning symbol etc.
4	NO.4 cooking zone indicating digital tube: display the power level, high temperature warning symbol etc.
5	Timer digital tube: display the time, child safety lock symbol etc.

# Operating Instructions

## Display mode

- 1) Unit digit digital tube : **Display** corresponding parameters of the heating control, multi-ring sign and High temperature warning sign ("H") of the cooking zone.
- 2) **Two digits digital tube** : Display the corresponding parameters of the time and child safety lock sign.
- 3) **Sign of the Multiple-ring heating**: After operating the double-ring heating, the digital tube corresponding to the cooking zone displays the inner ring or double-ring sign. The inner ring or double-ring is indicated by the icon below the corresponding digital tube.



## Using the ceramic hob

### Before first use



**IMPORTANT:** You should clean the ceramic hob surface (see "Maintenance and cleaning" section).

- ✓ You should switch on one cooking zone at a time, for 5 minutes at the maximum setting. This will help to eliminate any new smell that exists and evaporate any humidity that has formed on the heating elements during transit.
- ✓ Do not burn off more than one zone at once.
- ✓ You must place a saucepan filled half full with cold water on each zone as you burn it off.

### 1. Power on

- ✓ After switch on the appliance, the hob will beep for once to remind power on, all of the indicator digital tubes on the display screen will lit on for 2s, then the appliance goes into shutdown mode. Note: If your hob with multi-ring, the corresponding indicator digital tube decimal point "•" will lit on. If your hob with single ring only, the digital tube decimal point "•" will not lit on.
- ✓ Shutdown status: All the display will close except the high temperature warning symbol "H"; At this time, only the power button "ⓘ" can operated by pressing and holding, and other button operations are invalid.

# Operating Instructions

## 2. Standby mode

- ✓ Under shutdown status, press and hold "ⓘ" button for 3s, the hob will beep for once and then enter standby mode.
- ✓ All the indicator digital tubes of the cooking zone will display "—" (The symbol "H" will show in the cooking zone indicator if there is residual heat), timer place will show "— —" as well, it will not heat at this time.
- ✓ Under standby mode, if no cooking zone heating operation, the appliance will go into shutdown status automatically after 10s and beep once.

## 3. Heating control

- ✓ Under standby mode, you can choose the cooking zone by pressing the cooking zone select button, then press plus or minus button or to adjust the power level of the corresponding cooking zone. Press and hold plus "⊕" or minus "⊖" buttons can continuously to increase or decrease the power level.
- ✓ When the hob top is in heating status, press and hold "ⓘ" power button for 3s to switch off, and stop all the cooking zones to heat. The corresponding cooking zone indicator of the hob top which has heated before will display high temperature warning symbol "H".
- ✓ Under standby mode, if some hob tops still exist residual heat, display will show "H".
- ✓ If needing to switch off one of the cooking zones, you can select that zone first, then press the minus button "⊖" until "0" power level to switch off that zone, and will not affect the heating of the other cooking zones. When power level reaches "0", the corresponding cooking zone indicator of the hob top which has heated before will display high temperature warning symbol "H".
- ✓ If more than one zone is operating at the same time, total power will equal to the sum of the powers of all the working cooking zones, each cooking zone will work according to their power modulation ratio, and will not affect each other.

### ✚ Note:

1. During the same period, only one hob top button is valid, that is only one decimal point "●" can be displayed.
2. Press minus button "⊖" to set the power level to "0", then the heating hob top will close automatically.

## 4. Multiple-ring heating function

- 4.1 Open double ring heating function: The outer ring can only start after the inner ring is open.
- 1) Press the cooking zone select button which need to heat, corresponding cooking zone digital tube decimal point "●" will display.
  - 2) Press plus or minus button to select the power level you need.
  - 3) Press the cooking zone select button, cooking zone digital tube will display single-ring "—". Then press the cooking zone select button again to open the outer ring. After the outer ring is opened, cooking zone digital tube will display double-ring "—".

## Operating Instructions

4.2 Open tricyclic heating function: The outer ring can only start after the inner ring is open.

- 1) Press the cooking zone select button which need to heat, corresponding cooking zone digital tube decimal point "●" will display.
- 2) Press plus or minus button to select the power level you need.
- 3) Press the cooking zone select button first, cooking zone digital tube will display single-ring "—". Then press the cooking zone select button again to open the double-ring, corresponding cooking zone digital tube will display double-ring "—". Finally, press the cooking zone select button again to open the double-ring, corresponding cooking zone digital tube will display tricyclic "—".
- 4) After setting the cooking zone power level and start the inner ring heating, the inner ring continues to work when the cooking zone select button press for the first time. Inner ring and double-ring will work when press for the second time. Double-ring and tricyclic heating will work when pressing for the third time and it will close the double-ring and tricyclic heating when pressing for the fourth time, except the inner ring.

4.3 Close multiple-ring heating function

- 1) Touch the cooking zone select button which need to heat, corresponding hob top digital tube decimal point "●" will display.
- 2) Touch the cooking zone select button to close the outer ring, the inner ring continues to work.

### 5. Power level adjustment

- ✓ Under the standby mode, press cooking zone select button to choose the corresponding cooking zone, corresponding cooking zone digital tube decimal point "●" and heating level will display. You can press the plus "⊕" and minus "⊖" buttons to adjust suitable power level.
- ✓ By holding down either of these buttons, the value on the zone indicator will adjust up or down. Each pressing "⊕" button, power level will add one, until level 9, and displayed on its corresponding digital tube. Each pressing "⊖" button, power level will reduce one, until level 0 (Each pressing of "+" or "-" button, a short audible signal will be heard). Keep pressing "⊕", "⊖" buttons will make continuously increasing or decreasing effect.
- ✓ Upon completion of power level adjustment, the decimal point "●" of digital tube will stop flashing and normally display the power level within 10 seconds of no operation.
- ✓ When switching any of the cooking zone power level to 0, it will stop the power output of that cooking zone.
- ✓ If a cooking zone has been heated, power level of all the cooking zone is "0", the appliance will automatically enter into shutdown status after 1 minute no operation.

### 6. Auto-heating function

Your hob can auto-heating following the below steps:

**6.1 Turn on automatic heating** : Press plus or minus button to set the power to level 9, then touch plus button "⊕" to let the power level alternately display "A" and "9". At this time, press minus button "⊖" to adjust the auto-heating level you need, such as level 6. In this automatic heating process, the corresponding power level indicating digital tube is alternately display "A" and "6". Alternate display time is 2.5 minutes.

## Operating Instructions

**6.2** Press plus button to set the power to level 9, then touch plus button “+” to let the power level alternately display “9” and “9”. At this point, the default timing has started. For example, after “9” and “9” alternately display for 10 seconds, press the “-” to adjust the power level to level 6. The icons “9” and “6” will display for 2 minutes and 20 seconds. After 2 minutes and 20 seconds, the hob will turn to normal heating mode, corresponding power level indicating digital tube will display “6”.

When setting the automatic heating function, the corresponding cooking zone will be heated in level 9 for a period of time (heating time depends on the subsequent reduction to several levels, the heating time of each level is as follows), then continue working in the final adjusted heating level. For example, set the heating level to 9th level and activate the automatic heating function by pressing the “+” key (alternately display “9” “9”). Then set the automatic heating function level to level 6 by minus button “-”. In this setting, the cooking zone is heated by level 9 for 2.5 minutes. The cooking zone indicating digital tube is alternately display “9” and “6”. Then continue heating at level 6, the digital tube will display “6”.

**6.3** The power level and time corresponding tables of auto-heating are as below:

Power Level	1	2	3	4	5	6	7	8	9
Fast-heating time (minute)	1	3	4 8	6 5	8 5	2 5	3 5	4 5	5

**6.4** Automatic heating level adjustment: When entering automatic heating mode, only if auto-heating at max power within 30s, press minus button “-” can reduce the power. After more than 30 seconds, pressing the minus button “-” cannot reduce the automatic heating level, it will exit the auto-heating mode.

After more than 30 seconds, as long as it is still in the automatic heating mode and the automatic heating level is less than 9th level, press the plus button “+” to increase the automatic heating level, and the system continues to be in the automatic heating mode.

For example, after entering the automatic heating mode, within 30 seconds touch minus button “-” to adjust auto-heating level to level 8. The indicating digital tube will display “9” and “8”. And then reduce to level 7, the indicating digital tube will display “9” and “7”. At this moment, the hob is still in the automatic heating mode. When more than 30 seconds, the level 7 cannot be reduced to level 6, the automatic heating mode can be exited, and the hob change to normal heating mode, the indicating digital tube will display “6”.

## Operating Instructions

**6.5** When changing the automatic heating level, the elapsed time will be automatically calculated into the time corresponding to the new automatic heating level.

For example, you have selected the automatic heating level to be level 1 (1 minute), and after 30 seconds you change the level to level 4 (6.5 minutes). This automatic heating function will run accurately for 6 minutes (6.5 minutes minus 30 seconds).

**6.6** Within 30 seconds of automatic heating mode operation, press the minus button " $\ominus$ " to adjust to a certain level, then the running time is counted in the set level time.

For example, when the indicating digital tube "A" and "9" is alternately displayed and has been running for 20 seconds. Press the minus button " $\ominus$ " to adjust to 6th level, then the 20 seconds that have been run will be automatically counted in the 2.5 minutes of the 6th level, while the 6th level will continue to run for 2.5 minutes minus 20 seconds, that is 2 minutes and 10 seconds. Then turn back to normal heating mode.

### 7.Timer adjustment

After selecting the corresponding power of the cooking zone, press the time button " $\odot$ ", the timer digital tube will display "00" and the decimal point on the right will display "•".

At this time, the timing mode is entered, and the timing time of the selected burner can be set; (The following operations are required in timing mode)

- ✓ If you want to cancel the timing, you can adjust the timing time to zero.
- ✓ The first time you press the plus button " $\oplus$ ", the timing starts from 1 minute, after which you can press the plus or minus button to adjust the timing time.
- ✓ Press the plus button " $\oplus$ " for each time, the buzzer will beep once, and the heating time will be increased by 1 minute. The timing will be continuously changed between 1-99 minutes. The maximum adjustment to 99 minutes.
- ✓ Press the minus button " $\ominus$ " for each time, the buzzer will beep once, and the timing will be reduced by 1 minute. When the timing time is less than or equal to 30 minutes, the continuous adjustment timing will continuously change between 30-0 minutes; If the timing has been adjusted by the plus button " $\oplus$ " for more than 30 minutes, press the minus button " $\ominus$ " to adjust the timing to 0, and continue to change the timing continuously between 30-0 by the minus button.
- ✓ After the timer countdown is 0, the buzzer will continue to sound for 2 minutes, and you can press any button to turn off the beep.

#### Note:

1. If the timing of a certain cooking zone has been set, to change the time, press the time button again to select the corresponding cooking zone, and then enter the new time by plus and minus buttons.
2. After the cooking zone is selected, the timing setting cannot be made before the cooking zone power is set, and the time button is invalid.
3. When the timing of a certain cooking zone is set for the first time, if the cooking zone selection button corresponding to the cooking zone is pressed when the timing is not confirmed, the timing of the cooking zone is cancelled.
4. When single or multiple cooking zones are working, the decimal point "•" of the corresponding cooking zone is always displayed during the timing setting process. When multiple cooking zones are working, if two or more cooking zones have been set the time, the timing digital tube displays the minimum timing of cook zone. The decimal point of corresponding cooking zone is always on. The digital tube decimal point "•" is extinguished until the countdown time is over.

## Operating Instructions

### 8. Power off

Under standby mode or heating mode, long press “⏻” button for 3s, a short audible signal will be heard, the appliance will go into power off mode. If the corresponding cooking zone surface has residual heat at this time, the digital tube of power level indicator will flash display “H” and indicate residual heat warning.

### 9. Child Safety lock button

- ✓ The control panel can be locked by pressing and holding the child safety lock button “🔒” for 3 seconds whilst the appliance is under standby status or heating status. The safety lock icon will display. When the appliance switch off the safety lock icon will extinguish.
- ✓ Under the child safety lock mode, the “L □” will display and flash(1s/time). If the cooking zone has set the time, the digital tube will display the time and “L □” alternately. If not, it will display “L □” and “— —”
- ✓ Under the child safety lock mode, you can unlock it by pressing and holding the child lock button “🔒” for about 3 seconds.
- ✓ In the child safety lock mode, except for pressing and holding the power button to turn off, as well as press and hold the child lock button to unlock, the other buttons are invalid.

### 10. Partition timing

The timer can be timed separately for any cooking zone, and the timing of each cooking zone is independent of each other.

#### ● Single cooking zone timing

When setting a countdown time for a cooking zone, press timer button “🕒” first, the digital tube decimal point “●” of the selected cooking zone will be on. The decimal point of timer digital tube “●” will display, and to indicate the set timer has been related with the selected cooking zone. At this time, you can use the plus button and minus button to set the countdown time.

#### ● Several cooking zones timing

Each timer setting operation will be same as “Single cooking zone timing”.

Press any cooking zone selection button, and the timer digital tube display the timing value of that cooking zone.

When multiple burners are timed, you can switch the timing of different burners by pressing the time button “🕒”.

When not selecting any cooking zone, the digital tube will show the minimum timer value of cooking zones, and the digital tube of corresponding cooking zone will show “●”.

### 11. Default timing

- ✓ All the cooking zones have default timing function. The relationship of default timing and power level refers to table below:

Power Level	1	2	3	4	5	6-9
Default timing(h)	6h	6h	5h	5h	4h	1.5h

- ✓ When all the default timing is reached, the cooking zones will switch off automatically and enter into standby mode.

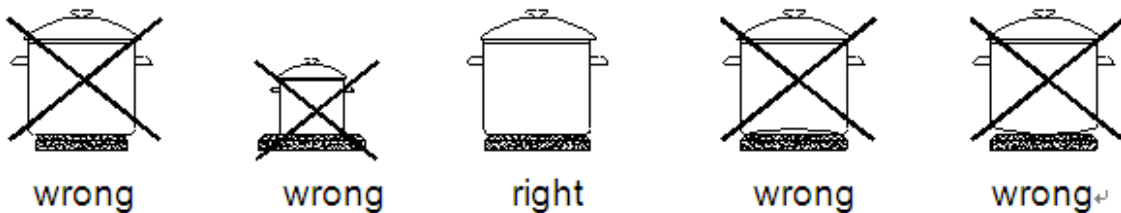
## Operating Instructions

### 12. High temperature warning

- ✓ Press and hold power button "ⓘ" manually for 3s till switch off, the whole appliance will stop heating, but the cooking surface still has high temperature, the indicator digital tube of corresponding cooking zone which stop heating will show residual heat warning symbol "H", to indicate corresponding cooking surface high temperature.
- ✓ As long as the cooking zone has heated before, the high temperature warning symbol "H" will display for 35 minutes continually after the hob turn off.
- ✓ **High temperature protection:** The electronic temperature sensor on the control panel will transmit the real-time temperature to the chip of the control panel. The control sensor starts protection when the electronic temperature sensor gauge the current temperature is higher than a certain value, to reduce the heating level of the cooking zone currently, and resumes the heating level after the temperature drops.
- ✓ **Residual heat protection:** When the whole appliance stops heating, the digital tube of the relative heating zone will display high temperature warning symbol "H", indicating that cooking surface temperature is too high, please do not touch to avoid getting burned.
- ✓ **Safety cut-off protection:** For the models with plug, when cut off after 1S at any time, the voltage between L/N of the plug should fall to below safe voltage range.

### How to use the Cooktop

Put the pot in the centre of the cooking zone. Use a pot with a flat bottom with a diameter the same as the cooking zone.



Shut down: after using, please turn the knob to "OFF", the hob will stop heating.

### CAUTION!

- Ensure the heating plate is clean-a soiled zone does not transfer all the heat.
- Protect the plate against corrosion.
- Switch off the plate against corrosion.
- Do not leave pans with prepared dishes based on fats and oils unattended on the switched-on plate; hot fat can spontaneously catch fire.



## Cleaning and Maintenance



Cleaning operations must only be carried out when the hob is cool.

The appliance should be disconnected from your mains supply before commencing any cleaning process.

### Cleaning the ceramic hob top



Any residues that are left on the hob top surface from cleaning agents will damage it. You should remove any residues with warm water mixed with a little washing up liquid.



Abrasive cleaners or sharp objects will damage the hob surface; you should clean it using warm water mixed with a little washing up liquid.



You may find it easier to clean some deposits whilst the hob surface is still warm. However you should take care not to burn yourself if cleaning the hob surface when it is still warm.

### After each use

- ◆ Wipe the appliance over with a damp cloth.
- ◆ Dry the appliance by rubbing the surface with a clean cloth.

### Cleaning table

Type of deposit	Remove immediately?	Remove when the appliance has cooled down?	What should I use to remove the deposit?
Sugar or food/liquid containing sugar	Yes	No	Ceramic hob scraper
Tin foil or plastic	Yes	No	Ceramic hob scraper
Fat splashes	No	Yes	Ceramic hob cleaner
Metallic discolouration	No	Yes	Ceramic hob cleaner
Water splashes or water rings	No	Yes	Ceramic hob cleaner

Important! The inside of the hob should only be washed with warm water and a small amount of washing-up liquid.

### Caution!

Ensure the heating plate is clean-a soiled zone does not transfer all of the heat.

Protect the hob against corrosion.

Switch off the hob against corrosion.

Do not leave pans with prepared dishes based on fats and oils unattended on the switched-on plate; hot fat can spontaneously catch fire.



**IMPORTANT:** If your appliance appears not to be operating correctly, Please contact with dealer.

**DO NOT ATTEMPT TO REPAIR THE APPLIANCE YOURSELF.**

Please note that if an engineer is asked to attend whilst the product is under guarantee and finds that the problem is not the result of an appliance fault, then you may be liable for the cost of the call out charge.

The appliance must be accessible for the engineer to perform any necessary repair. If your appliance is installed in such a way that an engineer is concerned that damage will be caused to the appliance or your kitchen, then he will not complete a repair.

## Troubleshooting

### Error codes and solutions

When a PCB board failure occurs, the timer digital tubes on the display panel always display the fault code, and all the burners that are being heated stop heating, and automatically return to the shutdown state after 1 minute. For the burners that have been worked, the corresponding digital tube continues to display the high temperature warning sign "H". When the fault code appears, please refer to the scheme in the following table to solve.

Fault code	Type of fault	Solution
E1	The display board does not receive the signal of power supply board.	The communication line failure of power supply board or display board can cause communication anomalies.
E2	The power supply board does not receive the signal of display board.	Replace the display board first. If the fault persists, replace the power supply board.
E3	Power supply board relay failure	Replace the power supply board.
E4	1.Open circuit of the display board NTC. 2.short circuit of the display board NTC.	Replace the display board
E5	High temperature protection on the display board NTC.	Replace the Insulated silicone strip of circuit panel first. If the fault persists, replace the display board.

# Warranty Certificate (New Zealand)

## Terms and Conditions

The following conditions apply in respect of the warranty given in this certificate:

1. Monaco Corporation Limited ("Monaco") warrants the following Robinhood products against manufacturing defects and faulty materials, under normal use and subject to the exclusions in this certificate, for a period of:
  - Rangehood, Ovens, Cooktops, Dishwashers, Refrigeration - 24 months from date of original purchase for domestic use.
  - Uniduct – 12 months from date of original purchase for domestic use.
  - Ironing centre – 12 months from date of original purchase for domestic use.
  - Sinks sets– 5 years on stainless steel sink including draining bench from date of original purchase for domestic use, 6 months on all stainless steel accessories, including wire rack, colander and tray from date of original purchase for domestic use.
  - Laundry Tub - 5 years on stainless bowl, 24 months on Tap, Cabinet and other components from the date of original purchase for domestic use.

"Original purchase", when used in this certificate, means purchase by the customer directly from Monaco or one of its approved suppliers.

2. This warranty is limited to the repair or replacement, at our option, within the warranty period of any component part which we at our discretion determine to contain faulty materials or a manufacturing defect in breach of this warranty. This warranty is subject to terms and conditions set out in this certificate.
3. The warranty only applies within New Zealand.
4. The customer must produce the original invoice or other purchase documentation as proof of the original purchase date.

## Warranty exclusions

1. The warranty does not apply where, in Monaco's opinion:
  - The defect is caused by misuse, wear and tear, dirt, fire or accidental damage. The product has been repaired or serviced by an unauthorised person.
  - The product was not installed in accordance with our instructions.
  - The product was purchased overseas or was not designed for use in New Zealand. The product was not used, cleaned or cared for in accordance with our instructions.
  - The product was used outdoors.
2. In addition, this warranty does not extend to damage or defects which in our opinion, directly or indirectly arise from or are due to:
  - Exposing the product to acidic or corrosive materials or chemicals such as dyes, solvents, denture cleaner or acetone; Using inappropriate household cleaning products such as abrasive cream or powder cleansers, furniture polish, bleach, mentholated spirits, drain cleaners, sugar soap, metal pads and strongly alkaline or acidic cleaners;
  - Heat damage, including from washing the product at high temperatures;
  - Impact or mishandling the product, including the impact caused by objects scraped along, thrown or dropped on the product surface or excessive weight being placed on the product;
  - Structural or support changes in or affecting the building or the application where the product has been installed;
  - Failure to clean or maintain the product as recommended; or any other causes specified in the product information as being excluded from this warranty.
3. Variations with the colour or gloss within the product or any ageing or fading of colour, shine or gloss level over time are not covered by this warranty. The warranty does not cover visual imperfections or blemishes in the surface and edges of the product that were not brought to your supplier's attention at the time you inspected the product.
4. Costs incurred on installation or removal of a product, or any reinstallation of a product, or any associated costs, are not covered by this warranty.
5. Monaco will not be liable for consequential or indirect loss or damage whatsoever and however arising out of or in connection with the supply, performance or removal of the product, including (but not limited to) loss of profit, loss of revenue, loss of contract, loss of goodwill or increased cost of workings, even if due to the negligence of Monaco or any of its approved suppliers, employees or agents.
6. Charcoal filters and light bulbs are not covered by this warranty
7. This warranty and the statements contained in this certificate or other documents given to you do not exclude, restrict or modify the application of any term implied into this warranty by statute, provided that (to the extent any statutory provision permits Monaco to limit its liability for a breach of an implied condition or warranty) Monaco's liability for such breach is limited to the payment of the cost of replacing the product, repairing the product or acquiring an equivalent product.
8. Subject to clause 5, our obligations under this warranty are limited to those set out in this certificate, and this warranty is expressly instead of all other warranties, express or implied, including any implied warranty of merchantability or fitness for a particular purpose and notwithstanding any course of dealing between the parties or custom and usage in trade to the contrary.

Terms and conditions are subject to change.