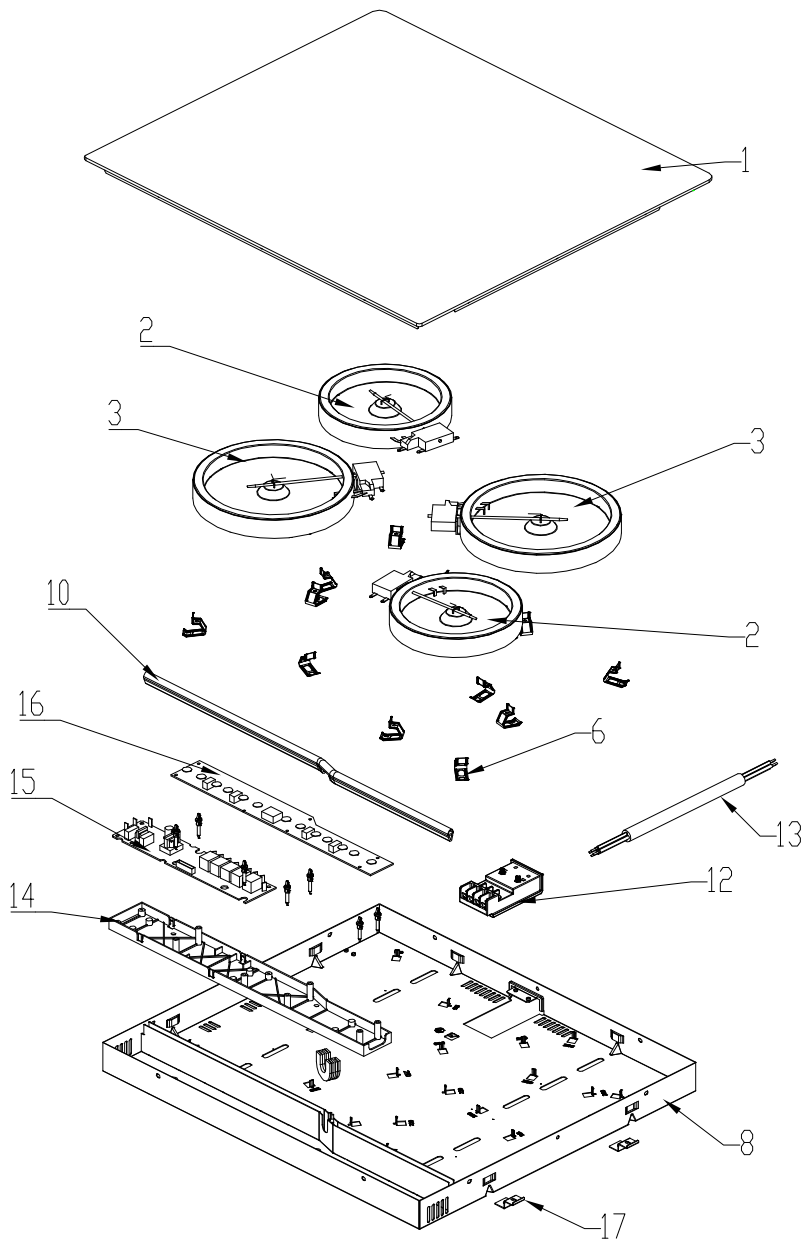


HEF604TCOM



SEQ	PART NO.	QTY (in Product)	DESCRIPTION
1	12966100000855	1	GLASS ASSEMBLY
2	17466100000754	2	RADIATION HEALING TRAY
3	17466100000750	2	RADIATION HEALING TRAY
6	12266100000597	12	TELESCOPIC BRACKET
8	12266100000617	1	BOTTOM PLATE ASSEMBLY
10	12666100000002	1	SILICONE SEALING STRIP
12	17466000000056	1	TERMINAL BLOCK
14	12166100000020	1	FIXING BOX
15	17166100001601	1	POWER SUPPLY BOARD
16	17166100001658	1	DISPLAY PANEL
17	12966000000010	1	HANGING PLATE FITTING