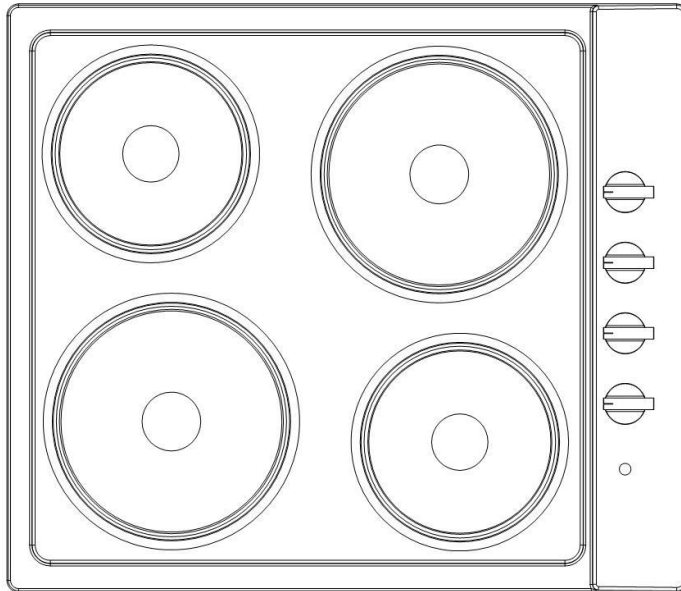


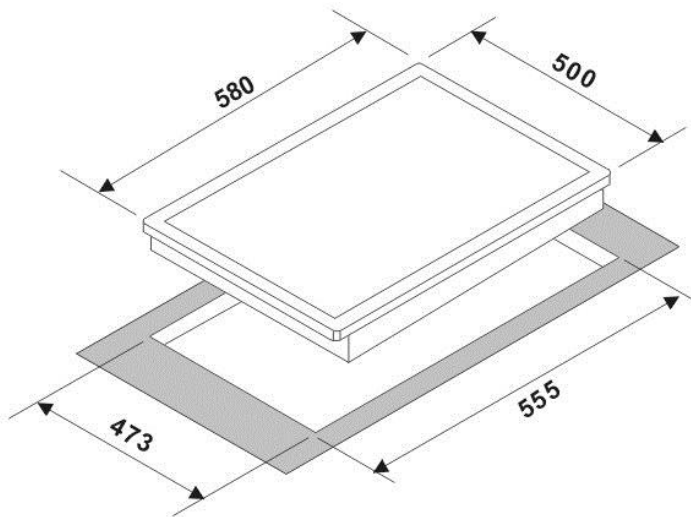
Description: **Robinhood Alto 4 burner electric cooktop 60cm.**

Model Numbers: **HEC604SKSS**

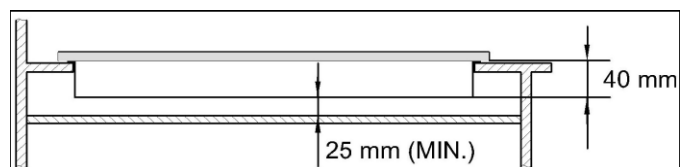
## Typical design



## Dimensions



Width	580mm
Depth	500mm
Height	85mm



# Specifications

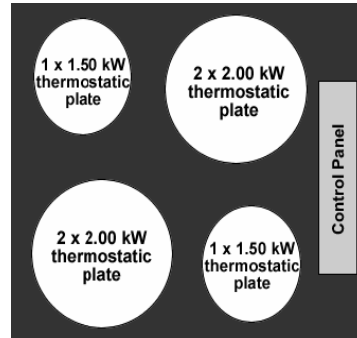
**Electrical Approval:** A/13495EA  
**Electrical Standard:** AS/NZS 60335.2.6:2008 inc, amendment 1,2 & 3

## Electrical specifications

**Voltage:** 220-240 / 50hz  
**Supply connection** 30A (double pole switched fused outlet with 3mm contact gap)  
**Cooktop wattage:** 7000W

## **Cooking zones ( Ø, mm/W )**

**Forward left** 180, 2 x 2.00 kW thermostatic plates  
**Rear left** 145, 2 x 1.50 kW thermostatic plates  
**Rear right** 180, 2 x 2.00 kW thermostatic plates  
**Forward right** 145, 2 x 1.50 kW thermostatic plates



**Gross weight:** 11kg  
**Nett weight:** 9.3kg  
**Carton volume:** 0.043m<sup>3</sup>  
**Carton dimensions:** 130mm x 540mm x 620mm

### **New Zealand**

Monaco Corporation Ltd  
Telephone: (09) 415 6000  
Facsimile: (09) 415 7400  
Email: enquiries@robinhood.co.nz  
www.robinhood.co.nz

### **Australia**

Shriro Australia Pty Ltd  
ABN 28 002 386 129  
Telephone: 1800 648 556  
Facsimile: 1800 628 577  
Email: enquiries@robinhood.com.au  
www.robinhood.com.au