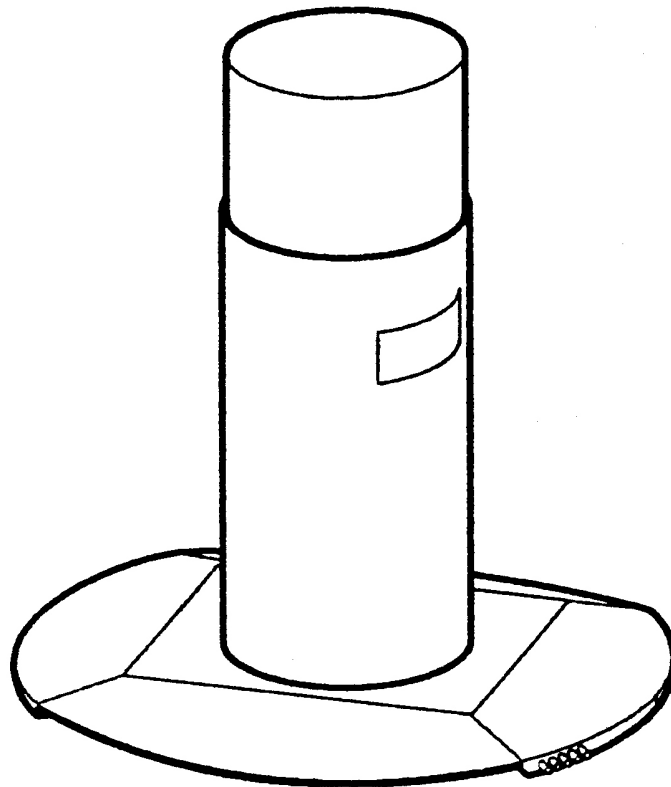


RICDI9
DISKO ISLAND CANOPY

 **Robinhood**

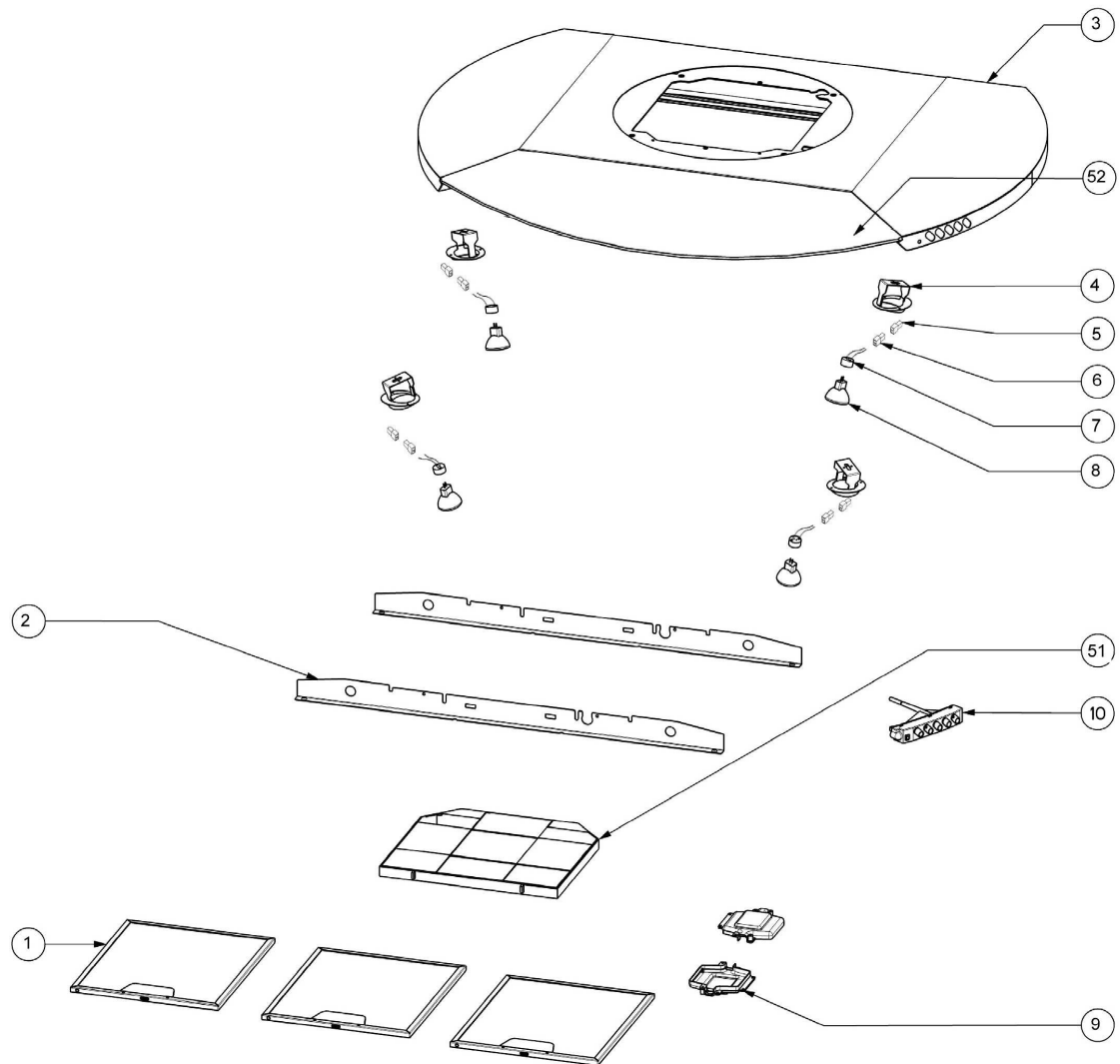


DISKO ISLAND CANOPY
RICDI9

APPROVED

ISSUE: B
ECN 07 033

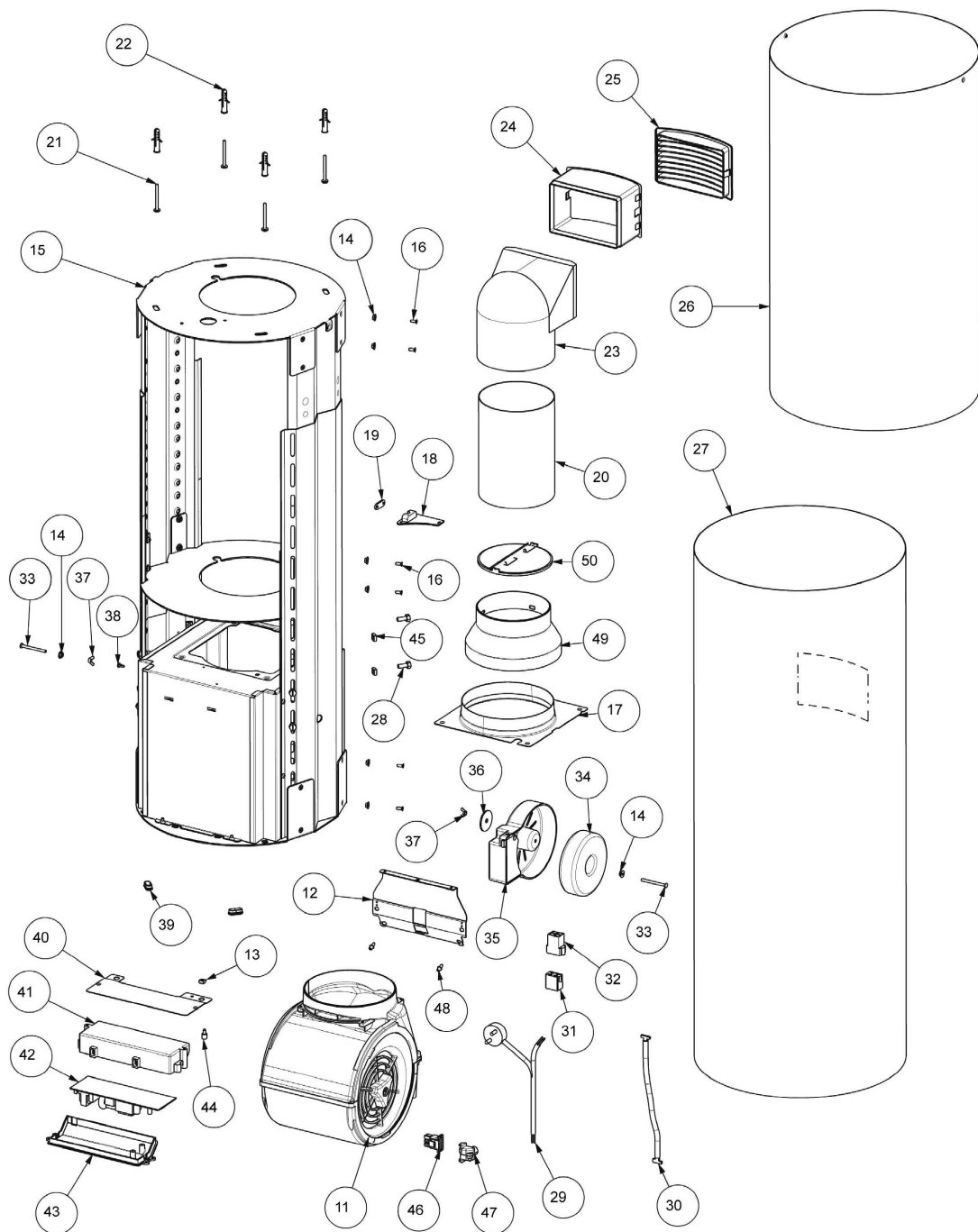
RICDI9 DISKO ISLAND CANOPY



APPROVED

ISSUE: B
ECN 07 033

RICDI9 DISKO ISLAND CANOPY



APPROVED

ISSUE: B
ECN 07 033

**RICDI9
DISKO ISLAND CANOPY**

SPARE PART LIST

ITEM	DESCRIPTION	PART NO.
1	ALUMINIUM FILTER	114129
2	PROTECTION COVER	114130
3	CASING ASSEMBLY	114131
4	SPOT LIGHT SUPPORT	114132
5	MALE PLUG BOX 2 WAYS	114133
6	FEMALE PLUG BOX 2 WAYS	114134
7	HALOGEN LAMP HOLDER	114135
8	HALOGEN LAMP 12V 20W	114005
9	CONNECTION BOX	114137
10	SWITCH ASSEMBLY	114139
11	DISKO ISLAND MOTOR	114141
12	DIFFUSER BRACKET	114142
13	CAGE NUT M4	114143
14	M4 MOTOR SECURING NUT	114144
15	HANGING STRUCTURE	114145
16	SCREW M4X10	114146
17	SLANTING FLANGE	114147
18	FEEDING CABLE COVER	114148
19	CABLE CLAMP	114149
20	TUBE PVC	114150

APPROVED

ISSUE: B
ECN 07 033

**RICDI9
DISKO ISLAND CANOPY**

ITEM	DESCRIPTION	PART NO.
21	SCREW	114151
22	PLUG (ANCHOR)	114152
23	RECIRCULATING ADAPTER	114153
24	RECIRCULATING DUCT	114154
25	RECIRCULATING COVER	114155
26	UPPER CHIMNEY	114156
27	LOWER CHIMNEY	114157
28	SCREW M6X10	114158
29	ELECTRIC CABLE	114159
30	EXTENSION	114160
31	FEMALE HOLDER BOX	114161
32	MALE HOLDER BOX	114162
33	ZINC PLATED SCREW	114163
34	TRANSFORMER 80W 230V	114164
35	TRANSFORMER SUPPORT	114165
36	WASHER 5X34	114166
37	NUT	114167
38	SECURING PIN	114168
39	CABLE GUIDE	114169
40	WIRINGS BOX SUPPORT	114170
41	MAIN CABLE BOX	114171
42	ELECTRONIC CIRCUIT BOARD	114172
43	MAIN CABLE BOX COVER	114173
44	BODY FIXING KNOB	114174

APPROVED

ISSUE: B
ECN 07 033

**RICDI9
DISKO ISLAND CANOPY**

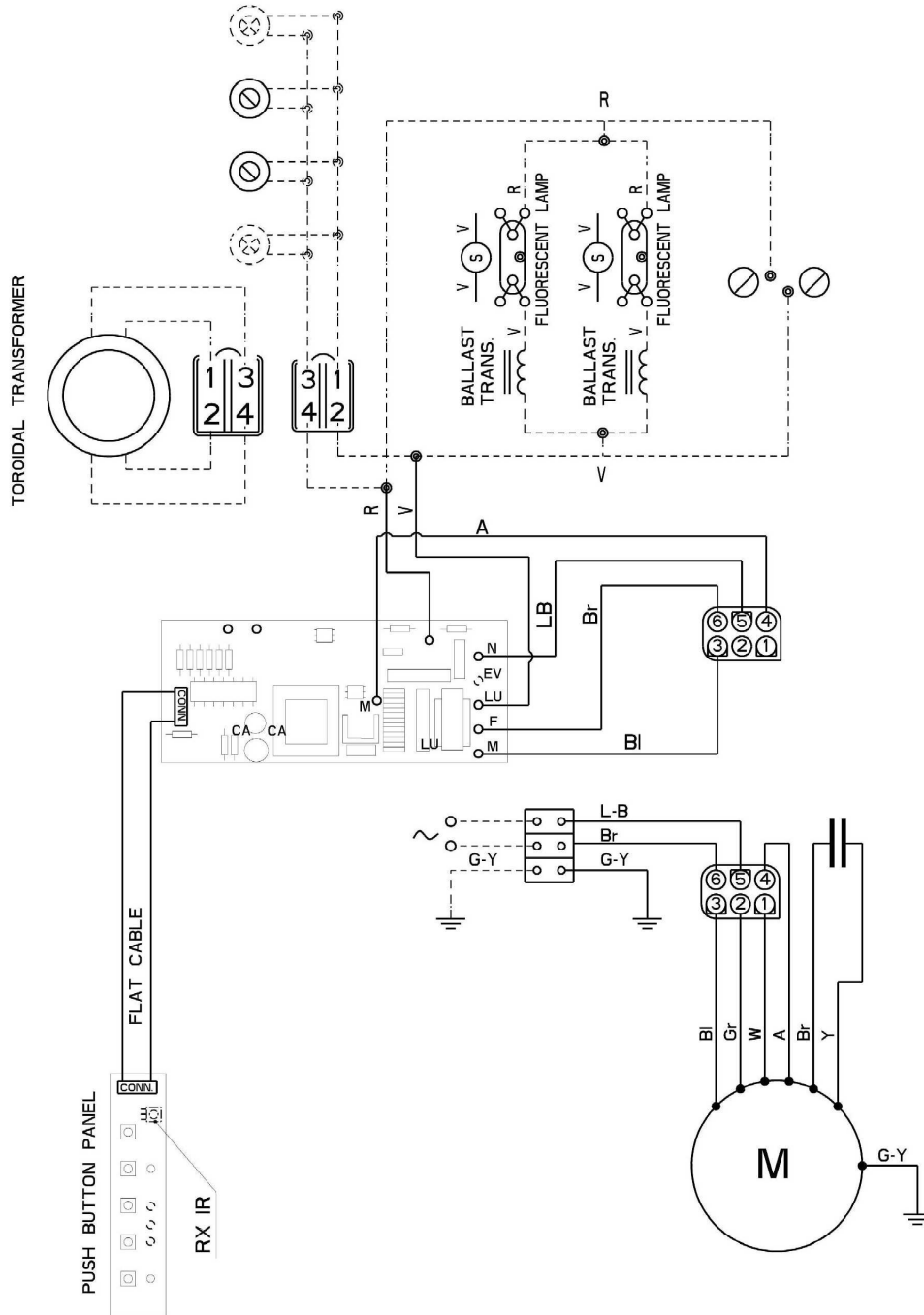
ITEM	DESCRIPTION	PART NO.
45	CAGE NUT M6	114175
46	CONNECTOR	114176
47	WIRE LOCK	114177
48	SCREW	114178
49	DIFFUSER 150-120	114179
50	FIRE FLAP	114180
51	CHARCOAL FILTER	114181
52	GLASS	114182

SOME COMPONENTS NOT AVAILABLE OUTSIDE PRODUCTION

APPROVED

ISSUE: B
ECN 07 033

RICDI9 DISKO ISLAND CANOPY



APPROVED

ISSUE: B
ECN 07 033