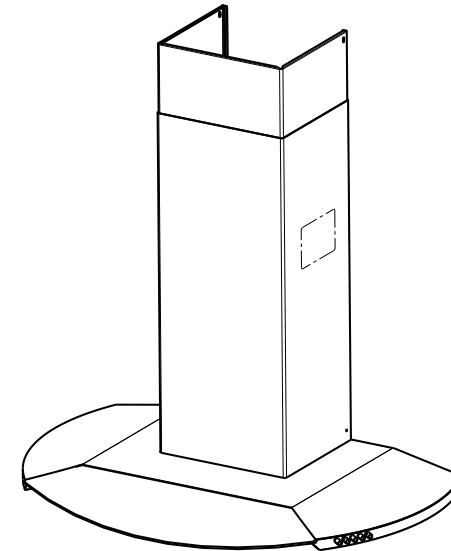
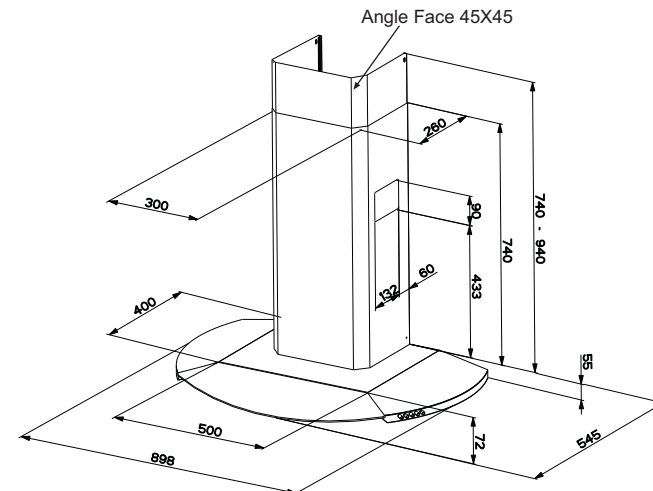


## CANOPY INSTALLATION INSTRUCTION

RICDW9



## PRODUCT DIMENSIONS



All Dimensions are in millimeters

104574 Issue D  
ECN: 07 007

**Robinhood**  
RECOMMENDS UNIDUCT DUCTING  
SYSTEMS FOR RANGEHOODS

**UNIDUCT**  
RANGEHOOD DUCTING

distributed by  
**Robinhood Ltd**  
P.O. Box 51 201, Pakuranga  
Auckland, New Zealand  
TEL: 64 (9) 272 5129  
FAX: 64 (9) 272 5148  
ISO9001 Certified  
email: [enquiries@robinhood.co.nz](mailto:enquiries@robinhood.co.nz)

for service of advice in Australia contact  
**Robinhood Pty Ltd A.C.N 079 616 550**  
P.O. Box 4189, Mulgrave  
Victoria 3170  
TEL: 1800 648 556  
FAX: 1800 628 577  
email: [enquiries@robinhood.co.nz](mailto:enquiries@robinhood.co.nz)

**2 YEARS**  
WARRANTY

Visit our Website at:

[www.robinhood.co.nz](http://www.robinhood.co.nz)

Electrical Rating:  
245W (1.16A) Max. at 240V 50Hz

## CANOPY OPERATION

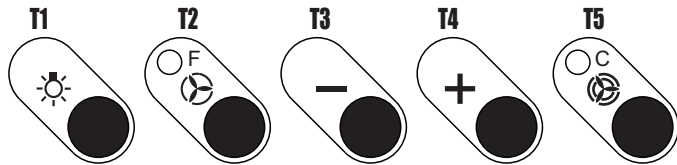
Thank you for purchasing a quality stainless steel canopy rangehood. We have a high standard of quality control and each rangehood is tested and approved before it leaves the factory.

**IMPORTANT:** Please read prior to installation or operation

- Always switch power off prior to installing, servicing or cleaning the appliance.
- Never use the appliance without filters.
- Please read the notes on general cleaning, especially the filters.
- Exhaust air must not be discharged into a heating flue or wall cavity. Unless the cavity is designed for that purpose.
- Areas where the rangehood is installed that also have gas oil or coal fired heaters, must be well ventilated to prevent a partial vacuum in the room. This includes gas hobs. (A partial vacuum in the room could result in too high a concentration of gas in the atmosphere).
- The appliance is supplied with an approved power cable which must not be changed. If the supply cord of this equipment is damaged, it must only be replaced by the manufacturer or its service agent or similarly qualified person in order to avoid hazard.

## CONTROL PANEL

- Key T1 = Turns the lighting system on and off  
Key T2 = Turns the motor on and off.  
Key T3 = Decreases the working speed.  
Key T4 = Increases the working speed.  
Key T5 = Intensive speed with timed stoppage. Suitable to deal with maximum vapour emission, this turns off automatically ten minutes after starting operation. It can be disabled by pressing the key.



## INSTALLATION OF UNIT

(Read in conjunction with the following diagrams)

The unit is designed for 2.4 to 2.7 metre high ceiling.

Note: Ducting accessories are not supplied. The air outlet from the ducting flange requires Ø150mm round ducting.

Before starting assembly, read the instructions carefully and remove the filters from canopy to allow access to wall mounting holes. To remove the filters, push the relative catch inward and tilting it downwards until it disengages from the supports. Reverse these instructions when refitting the filters.

NOTE: Stainless steel is very easily damaged during installation if abraided or knocked by tools.

### WARNING

This hood has been designed to be wall-mounted above a cooking hob with the back side resting against a wall. Because of the complexity and weight of the hood, its installation should be carried out by qualified staff, taking care to respect all local regulations on air discharge. The supplier cannot be found liable for any damage due to improper installation.

## WARNING

- This appliance is not intended for use by young children or infirm persons without supervision.
- Young children should be supervised to ensure that they do not play with the appliance.
- There shall be adequate ventilation of the room when the rangehood is used at the same time as appliances burning gas or other fuels.
- You must read the details concerning the method and frequency of cleaning.
- There is a fire risk if cleaning is not carried out in accordance with the instructions.
- Do not flambé under the rangehood.
- Exhaust air must not be discharged into an existing flue which is used for exhausting fumes from appliances burning gas or other fuels.
- The minimum distance between the hob surface and the lowest part of the rangehood is 600mm. This distance shall be at least 650mm (recommended 700mm) if the rangehood is installed over a gas hob.
- Attention should be given to ensure that any applicable regulations concerning the discharge of exhaust air is fulfilled.
- If the supply cord of this equipment is damaged, it must only be replaced by the manufacturer or its service agent or similarly qualified person in order to avoid a hazard.

## Active carbon filter

### • Operation

The activated charcoal filter when fitted will retain odours until it becomes saturated. It cannot be washed or regenerated and must be replaced when the Intensive Speed LED T5 starts to flash, or at least once every four months of use.

**WARNING:** In recirculation type hoods the T2 Motor LED may start to flash as well as the T5 LED. This indicates that as well as replacing the activated charcoal filter, it is also necessary to perform maintenance operations on the metal grease filters (see paragraph Metal grease Filter).

### • Replacing

Take off the metal grease filters (fig.11) and remove the activated charcoal filter from its housing by turning the clips provided (fig.12). Fit the new activated charcoal filter and replace the metal grease filters.

### • Enabling the alarm signal

In recirculation type hoods the saturated filters alarm must be enabled as indicated below:

• Turn off the lights T1 and the Suction Motor T2;  
 • Press and hold the button T4 for at least 10 seconds, until the Leds start to flash. Note the number of flashes:

- Two flashes of the LED Activated charcoal filter saturation alarm ENABLED
- One flash of the LED Activated charcoal filter saturation alarm DISABLED

### • Resetting the alarm signal

To turn the alarm signal off, proceed as follows:

- Press the button T4 and hold for at least 3 seconds, until the Led flashes to confirm. Note: the saturated filters alarm will only come into operation when the suction motor is turned on.

**WARNING** - There could be a possible fire hazard if the filters are not replaced according to these instructions.

## Lighting

- Halogen spotlights: two 20w halogen spotlights.
- To replace (fig.13)

Remove the two screws fixing the metal ring, extract the spotlight from the lamp holder by pulling gently. When replacing the spotlight, make sure that the two pins are correctly inserted in the housing on the lamp holder.

## Cleaning

When cleaning the hood:

- Never use a wet cloth or sponge, or running water.
  - Never use thinners or products containing alcohol, as they might damage any printing.
  - Never use abrasive cleaning materials, in particular when cleaning stainless steel surfaces.
- It is recommended to use a damp cloth and mild liquid household cleaner.

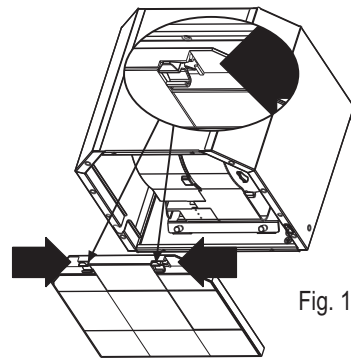


Fig. 12

Fig. 13



## Components

The hood comprises the following (fig.1):

- 1 canopy C complete with controls, lighting and ventilator unit
- 1 telescopic chimney, comprising:
  - 1 upper chimney element S
  - 1 lower chimney element I
- 2 directional grills G
- 1 reduction flange Ø150-120 A
- 1 recirculation spigot R
- 2 additional side recirculation spigots P1
- 1 additional recirculation spigot P
- 1 bag containing:
  - 2 brackets 2 to fix the chimney, screws, rawl plugs.

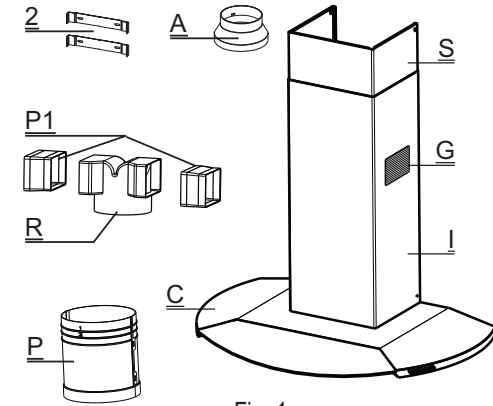


Fig. 1

For easy installation, proceed as follows:

- Fix the wall brackets
- Fix the canopy
- Electrical connection and working test
- Ducting or Recirculation fitting
- Fix the telescopic chimney

## Fitting the wall brackets

Please refer to (fig.2):

- Ensure the correct vertical alignment of the various parts.

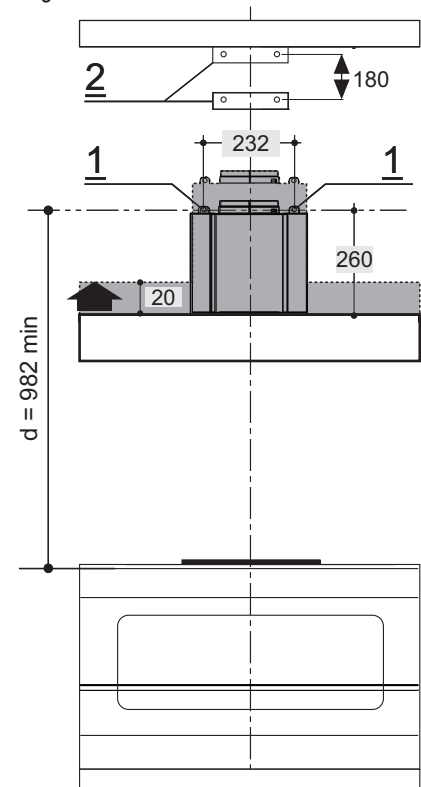
### • Fixing the wall brackets item 2 :

- a) Place one of the brackets 2 against the wall approximately 1 or 2mm from the ceiling or from the top limit, aligning its centre (slot) with the vertical line.
- b) Mark the centres of two slots in the bracket on the wall.
- c) Rest the other bracket 2 against the wall, aligning it with the vertical line, with the centres of the holes 180mm apart.
- d) Mark the centres of the slot in the bracket on the wall.

### • Drilling fixing holes item 1 :

- a) Mark a point on the vertical line at a distance of 982mm (min) from the cooking appliances.
- b) At the point marked, draw a horizontal line parallel to the cooking appliances.
- c) Drill two holes in the wall 1 using an 8 mm drill bit (fig.2), and insert the rawl plugs and screws into the holes (4.2 x 44.4 screws). Fix the screws, leaving a space of 5-6mm required to hook up the canopy. Small adjustments can be made using the hood adjustment screws (see Fitting the canopy). The hood should have a maximum excursion of 20mm. (Note: it may be necessary to change the type fixing elements depending on wall construction)

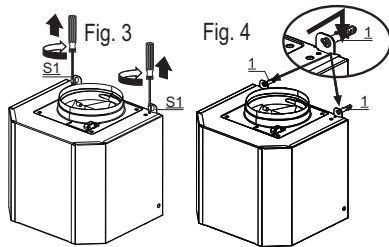
Fig. 2



## Fixing the canopy

Before starting to fix the canopy it will be necessary to adjust the support brackets **S1** by turning the adjustment screws in a clockwise direction until their reach their limit (Fig.3):

- Hook the canopy onto the two size 4.2 x 44.4 screws **1** fitted as described above (Fig.4).
- Level the hood by turning the adjustment screws and then locking them.



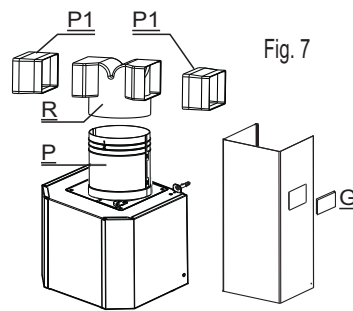
## Electrical connection and working test

- Before connecting to the mains supply ensure that the mains voltage corresponds with the voltage on the rating plate inside the hood.
- Connect the canopy hood to the suitable mains connector.
- The appliance must be earthed.
- Once the electrical connection has been completed, check that worktop illumination, motor and speed work properly.

## Ducting or Recirculation fitting

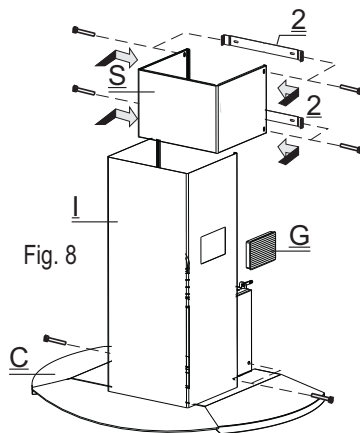
- Ducting fitting
- The hood can be ducted to the outside using either rigid or flexible ducting Ø150mm.

- Recirculation fitting
- The filtered air is returned to the room through the two plastic side grills **G** on the lower chimney element **I**.
- Connect the additional spigot **P** to the round fan outlet, pushing it downwards, and fit spigot **R** to additional spigot in a similar manner (make sure that the two additional side recirculation spigots are fitted to spigot **R**). Cut the additional spigot **P** to correspond with outlets 1 and 2, which must be formed directly on the piece. Make sure that the height of the assembly **R + P** corresponds to the height of the chimney outlet. (fig.7).
- Fit the activated charcoal filters inside the canopy (see paragraph on Maintenance). Do not fit the venting grilles until after the chimney has been installed.

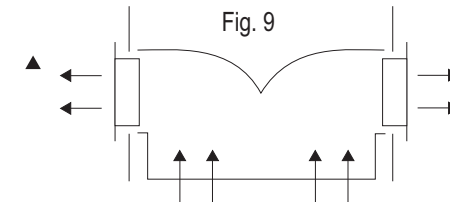


## Fitting the telescopic chimney

- To fit the upper section **S** first expand the two side pieces slightly, hook them behind the brackets **2** close them together again until they touch. Fix the upper section **S** to the brackets **2** using four of the screws provided in the bag of accessories (fig. 8).
- Fit the lower section **I** as above, between the upper section **S** and the canopy **C** using two of the screws provided in the bag of accessories.



- Chimney with venting grilles: Snap the venting grilles into position in the apertures located on the chimney section, so that the symbol is turned upwards and the symbol faces forwards. Also, when the hood is used in recirculation mode, ensure that the grilles are properly secured to the inside of the recirculation spigot **R** (fig.9).



## MAINTENANCE

Constant maintenance guarantees proper operation and long-term reliability. Particular attention should be paid to the metal grease filters and, for recirculation hoods only, to the activated charcoal filters. The appliance is equipped with a system that indicates automatically when it is time to carry out maintenance operations.

## Metal grease filters

### Cleaning

- These filters must be washed when LED Motor **T2** starts to flash, or at least once every two months, using a normal household detergent; their compact size also enables them to be washed in a dishwasher.

### Replacement

Remove the filters one at a time, pushing the handle towards the rear of the hood (fig. 11). When replacing, ensure that the handle faces outwards.

### Enabling the alarm signal

The hood is already set up to trigger an alarm indicating saturation of the metal grease filters, so this function does not need to be enabled.

### Resetting the alarm signal

To turn the alarm signal off, proceed as follows:

- Turn off the Lights **T1** and the Suction Motor **T2**;
- Press the Speed **T4** and hold for at least three seconds, until the Led flashes to confirm. Note: the saturated filters alarm will only come into operation when the suction motor is turned on. **WARNING** - There could be a possible fire hazard if the filters are not replaced according to these instructions.

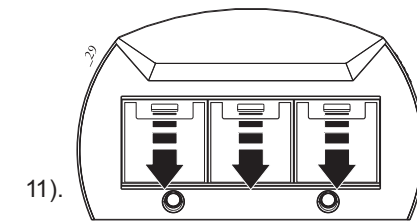


Fig. 11