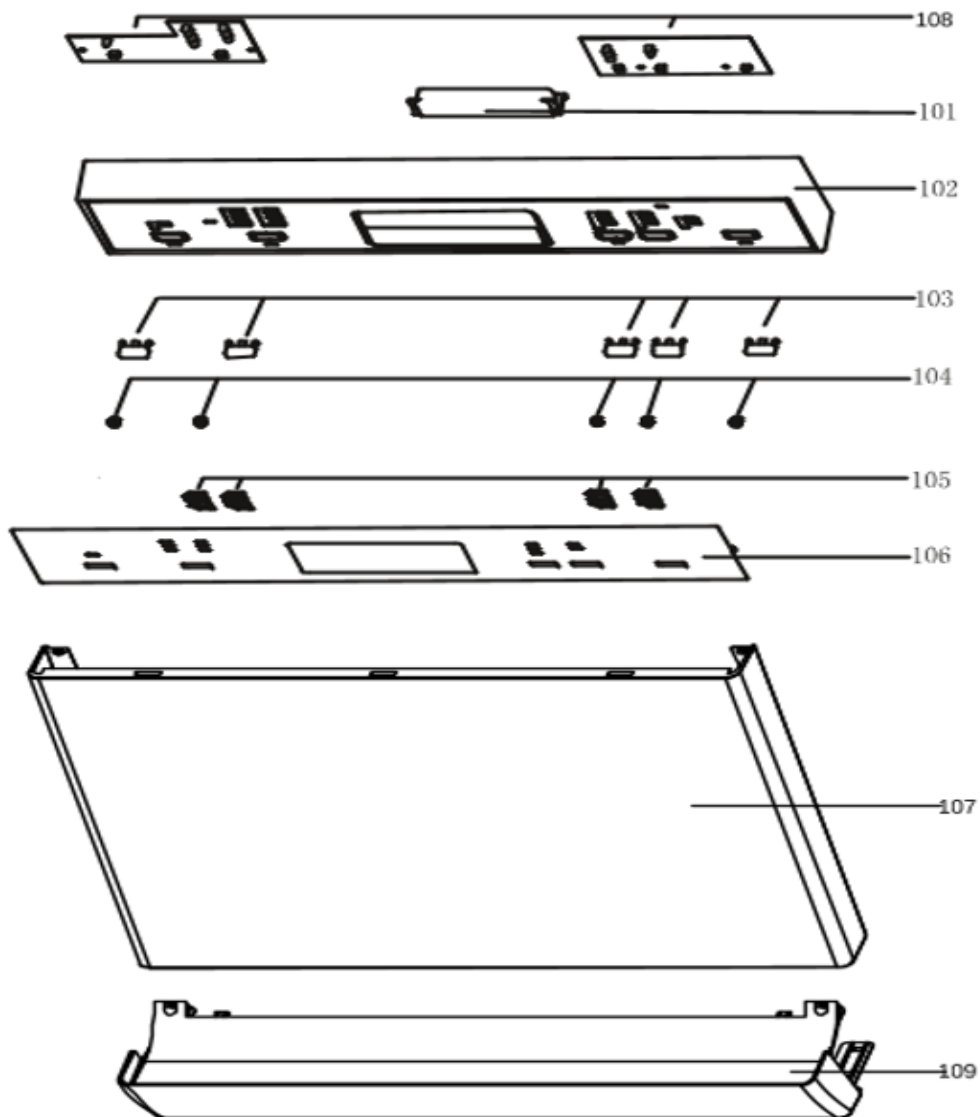
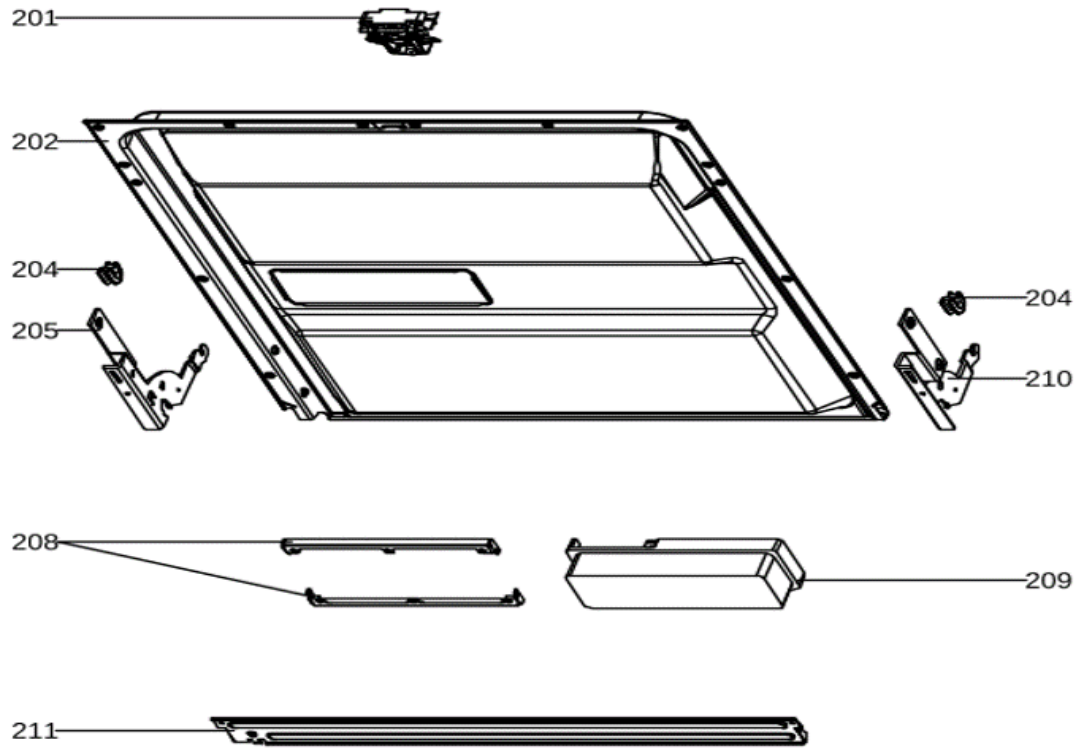


DWG12P6FSS



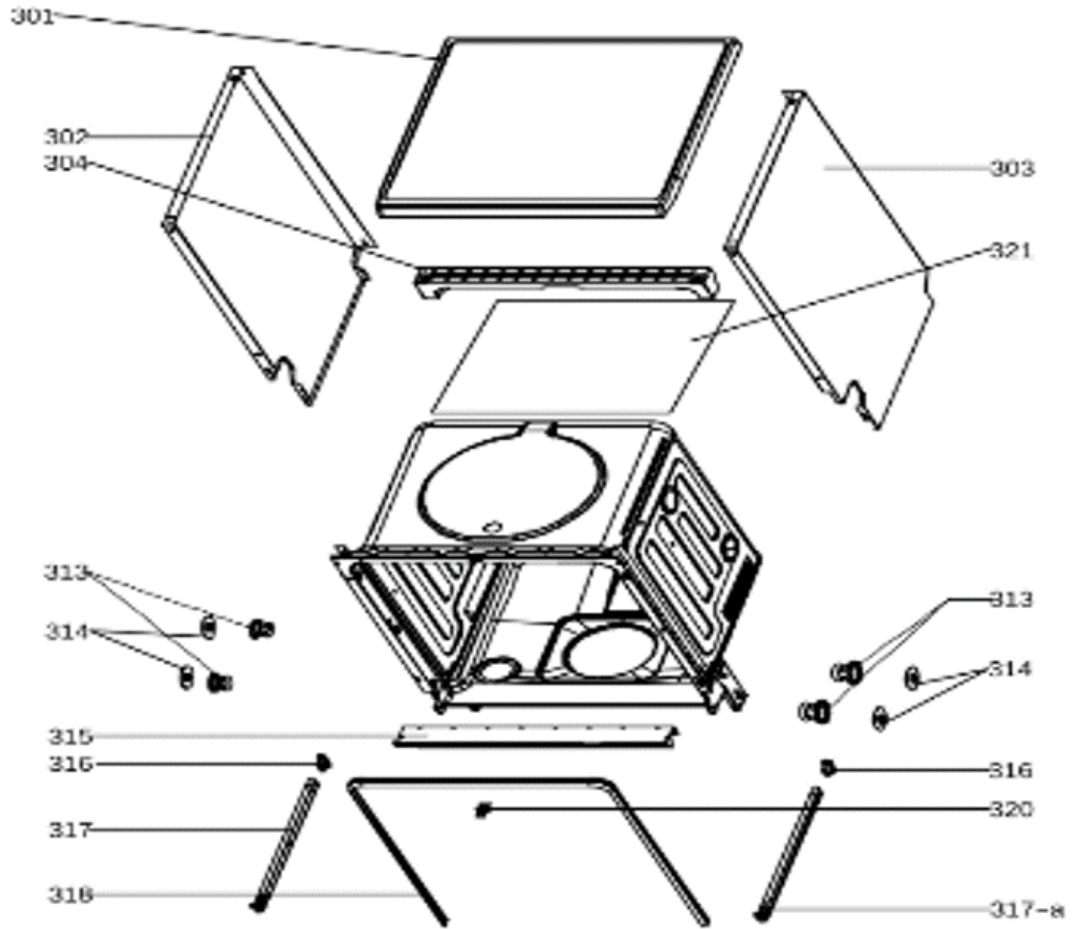
MODEL	SEQ	PART NO.	QTY (in Product)	DESCRIPTION
DWG12P6FSS	101	12176000020095	1	HANDLE COVER
DWG12P6FSS	102	12176000A69176	1	CONTROL PANEL
DWG12P6FSS	103	12176000001500	5	BUTTON
DWG12P6FSS	104	12976000000182	5	SPRING
DWG12P6FSS	105	12176000002973	4	INDICATOR LIGHT COVER
DWG12P6FSS	106	12276000A34251	1	CONTROL PANEL PATCH
DWG12P6FSS	107	12276000A21294	1	OUTER DOOR
DWG12P6FSS	108	17176000022285	1	DISPLAY PANEL
DWG12P6FSS	109	12176000003979	1	BASEBOARD

DWG12P6FSS



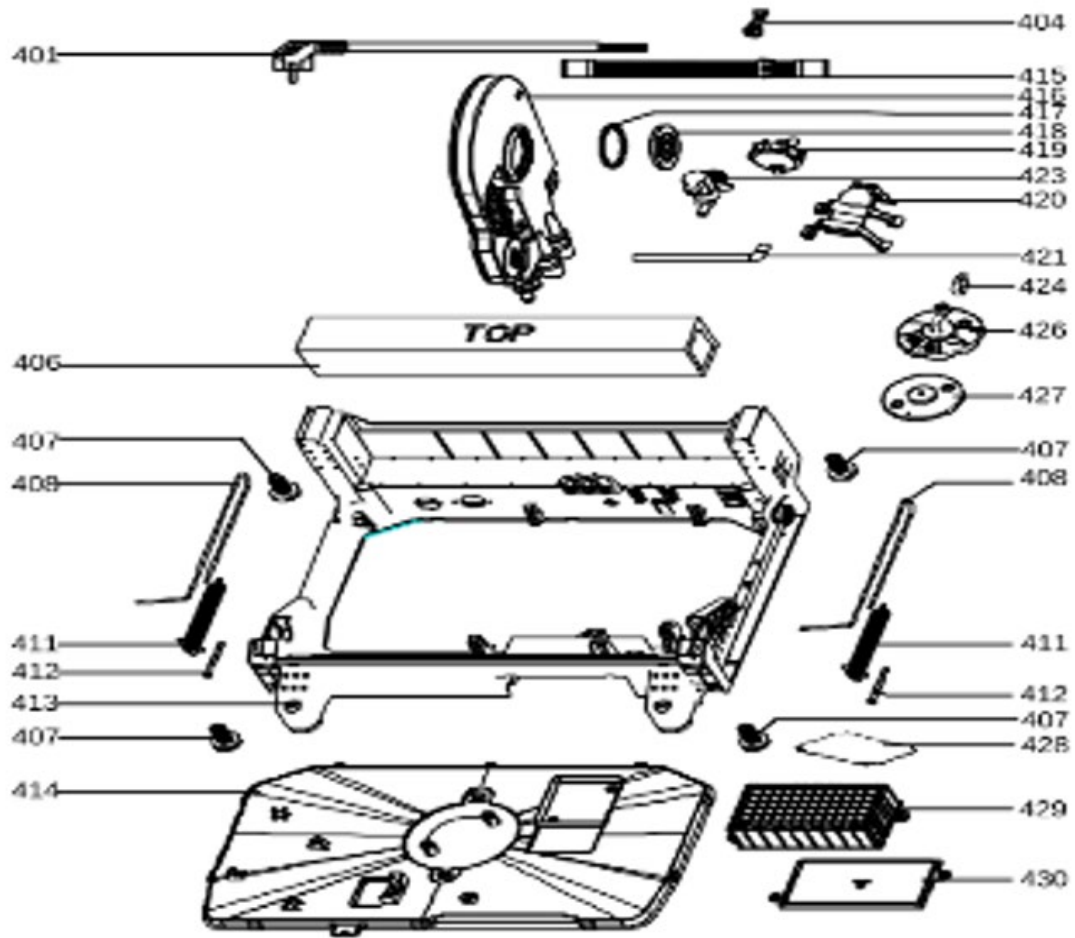
MODEL	SEQ	PART NO.	QTY (in Product)	DESCRIPTION
DWG12P6FSS	201	17476000007454	1	DOOR SWICTH ASSEMBLY
DWG12P6FSS	202	12276000005288	1	INNER DOOR ASSEMBLY
DWG12P6FSS	204	12176000003629	2	SNAP RING
DWG12P6FSS	205	12276000001731	1	LEFT HINGE ASSEMBLY
DWG12P6FSS	208	12276000001459	2	DISPENSER BRACKET
DWG12P6FSS	209	17476000007962	1	DISPENSER
DWG12P6FSS	210	12276000001778	1	RIGH THINGE ASSEMBLY

DWG12P6FSS



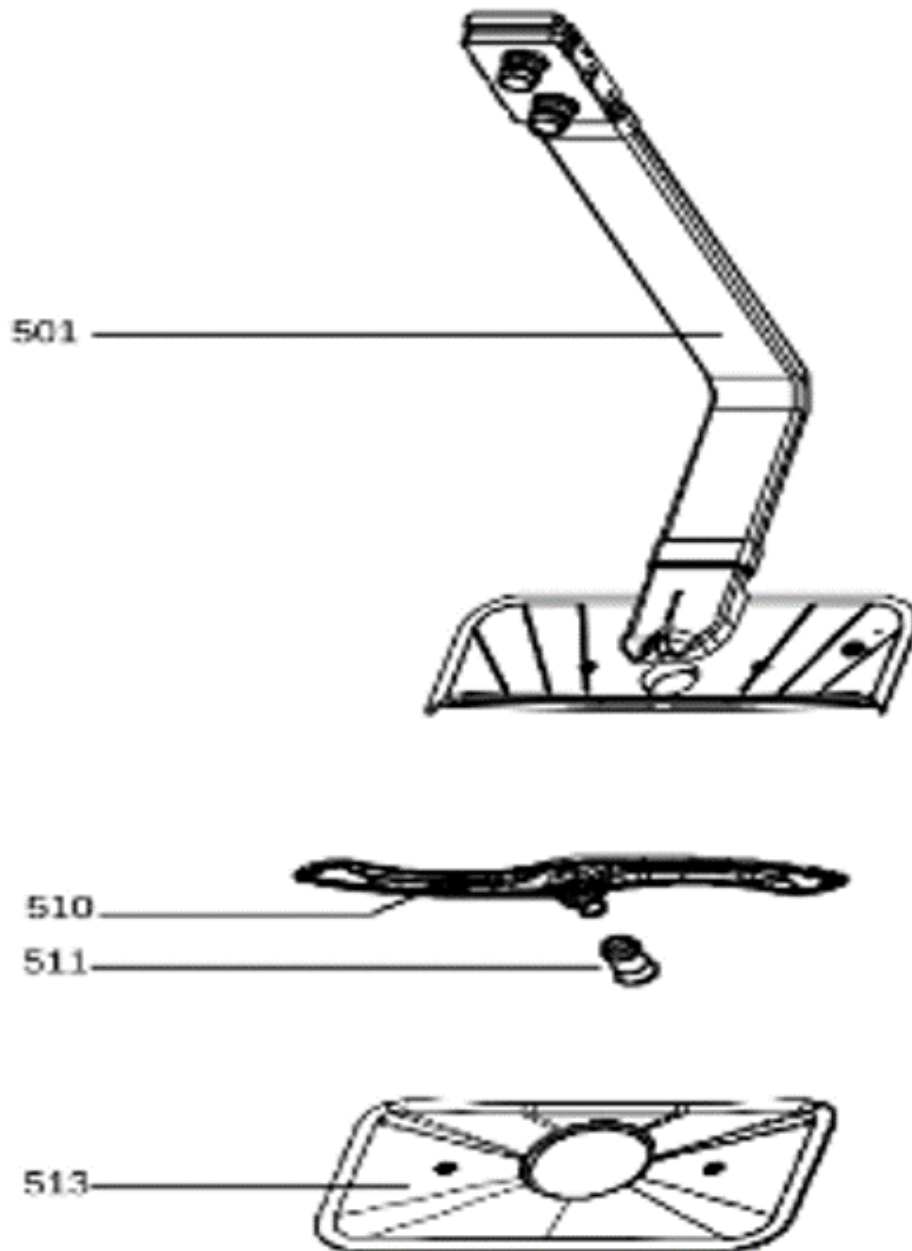
MODEL	SEQ	PART NO.	QTY (in Product)	DESCRIPTION
DWG12P6FSS	301	12176000003151	1	TOP PLATE ASSEMBLY
DWG12P6FSS	302	12276000A20374	1	LEFT SIDE PANEL
DWG12P6FSS	303	12276000A20368	1	RIGHT SIDE PLATE
DWG12P6FSS	304	12176000003869	1	UPPER BACK SUPPORT
DWG12P6FSS	313	12176000010412	4	RAIL SUPPORT ASSEMBLY
DWG12P6FSS	314	12176000008573	4	BASKET GUIDER SUPPORTING HOLDER
DWG12P6FSS	315	12276000001818	1	ACOUSTIC PANEL
DWG12P6FSS	316	12176000008496	2	STOPPER
DWG12P6FSS	317	12276000001357	1	RAIL ASSEMBLY
DWG12P6FSS	317-a	12276000001360	1	RAIL ASSEMBLY
DWG12P6FSS	318	12676000000859	1	SEALING STRIP
DWG12P6FSS	320	12176000009491	1	DOOR LOCK HOOK
DWG12P6FSS	321	12176000010248	1	BACK PLATE

DWG12P6FSS



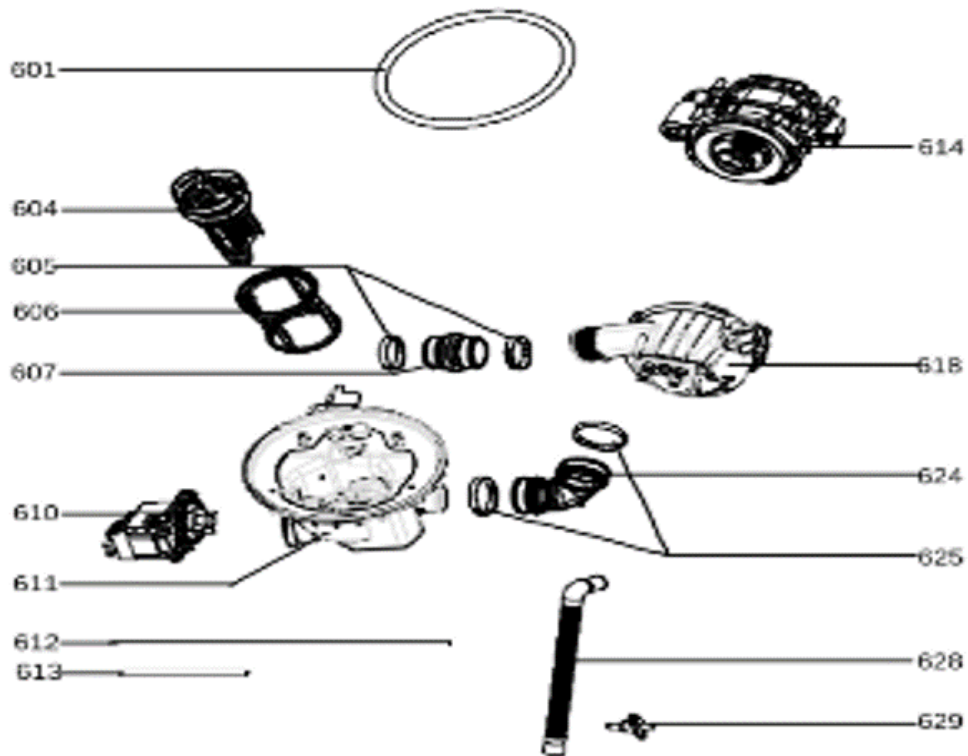
MODEL	SEQ	PART NO.	QTY (in Product)	DESCRIPTION
DWG12P6FSS	401	17476000000143	1	POWER CORD
DWG12P6FSS	404	12176000009490	1	POWER CORD CLASPER
DWG12P6FSS	406	12776000000023	1	COUNTER WEIGHT
DWG12P6FSS	407	12176000009741	4	FOOT
DWG12P6FSS	408	12976000000392	2	DOOR ROPE
DWG12P6FSS	411	12976000000133	2	SPRING
DWG12P6FSS	412	12976000001001	2	ADJUST SCREW OF DOOR SPRING
DWG12P6FSS	413	12176000019563	1	BASE TRAY ASSEMBLY
DWG12P6FSS	414	12176000015483	1	BASE TRAY COVER
DWG12P6FSS	415	12676000000138	1	DRAIN PIPE ASSEMBLY
DWG12P6FSS	416	12176000003911	1	AIR BREATHER ASSEMBLY
DWG12P6FSS	417	12676000000713	1	WASHERS
DWG12P6FSS	418	12176000013663	1	AIR BREATHER NUT
DWG12P6FSS	419	17476000A02122	1	PRESSURE SWITCH
DWG12P6FSS	420	12276000008925	1	PUMP SUPPORT ASSEMBLY
DWG12P6FSS	421	12676000000140	1	INLET HOSE OF AIR BREATHER
DWG12P6FSS	423	17476000007448	1	INLET VALVE
DWG12P6FSS	424	17476000001137	1	MICROSWITCH
DWG12P6FSS	426	12176000003125	1	SWITCH SEAT
DWG12P6FSS	427	12876000000050	1	FLOAT
DWG12P6FSS	428	17176000022281	1	MAIN CONTROL PANEL
DWG12P6FSS	429	12176000016897	1	PCB BOX COVER
DWG12P6FSS	430	12176000016896	1	PCB BOX

DWG12P6FSS



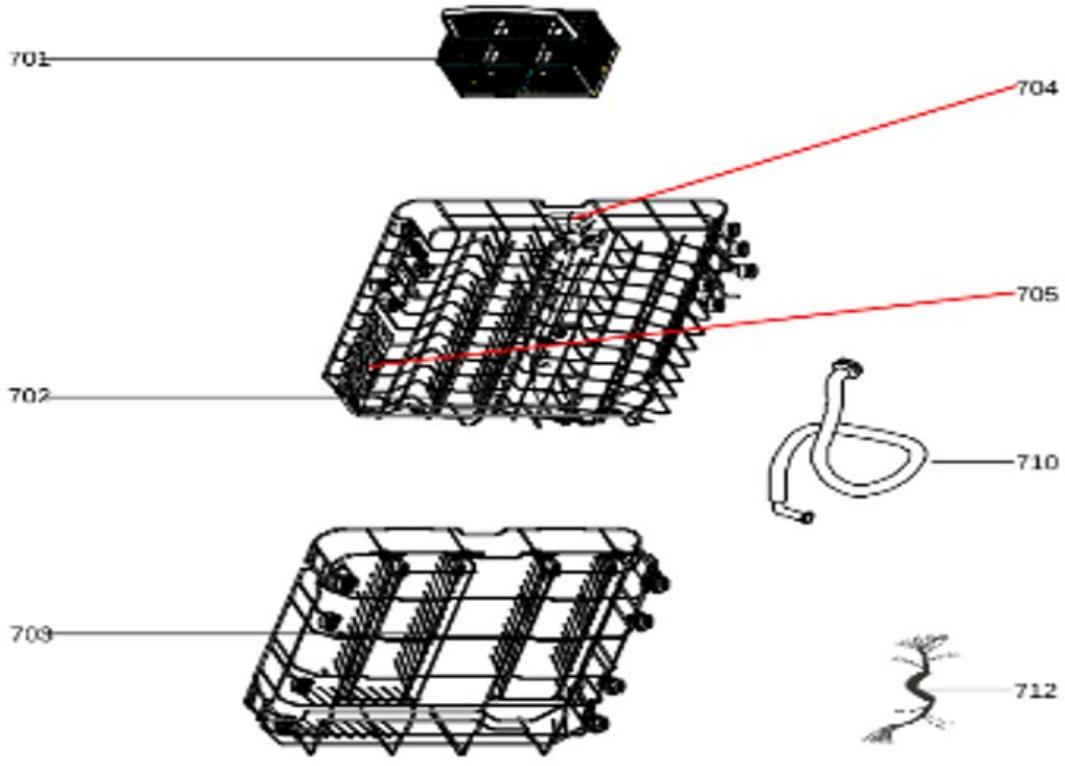
MODEL	SEQ	PART NO.	QTY (in Product)	DESCRIPTION
DWG12P6FSS	501	12176000009430	1	INNER PIPE ASSEMBLY
DWG12P6FSS	510	12176000009161	1	LOWER SPRAYER
DWG12P6FSS	511	12176000008645	1	LOWER SPRAYER SEAT
DWG12P6FSS	513	12176000003689	1	PLANE FILTER

DWG12P6FSS



MODEL	SEQ	PART NO.	QTY (in Product)	DESCRIPTION
DWG12P6FSS	601	12676000001461	1	SEAL RING
DWG12P6FSS	604	12176000026949	1	FILTER HANDLE
DWG12P6FSS	605	12976000004604	2	CLAMP
DWG12P6FSS	606	12176000003676	1	CYLINDRICAL FILTER
DWG12P6FSS	607	12676000000132	1	WASHING PUMP OUTLET PIPE
DWG12P6FSS	610	17476000007443	1	INDUCTION PUMP
DWG12P6FSS	611	12176000016228	1	WATER CUP ASSEMBLY
DWG12P6FSS	612	12676000000687	1	PRESSURE SWITCH PVC PIPE
DWG12P6FSS	613	12676000000644	1	PIPE
DWG12P6FSS	614	17476000A03575	1	INDUCTION PUMP
DWG12P6FSS	618	17476000007431	1	HEATING ELEMENTS
DWG12P6FSS	624	12676000000162	1	INLET PIPE
DWG12P6FSS	625	12976000000308	2	CLAMP
DWG12P6FSS	628	12676000000947	1	DRAIN HOSE
DWG12P6FSS	629	17176000012008	1	TEMPERATURE SENSOR

DWG12P6FSS



MODEL	SEQ	PART NO.	QTY (in Product)	DESCRIPTION
DWG12P6FSS	701	12176000002802	1	CUTLERY BASKET
DWG12P6FSS	702	12976000000461	1	UPPER BASKET ASSEMBLY
DWG12P6FSS	703	12976000001368	1	LOWER BASKET ASSEMBLY
DWG12P6FSS	704	12176000009173	1	MIDDLE SPAYER ASSEMBLY
DWG12P6FSS	705	12176000013316	1	CUP HOLDER
DWG12P6FSS	710	12176000024869	1	INLET PIPE ASSEMBLY
DWG12P6FSS	712	17476000007445	1	MAIN WIRE HARNESS