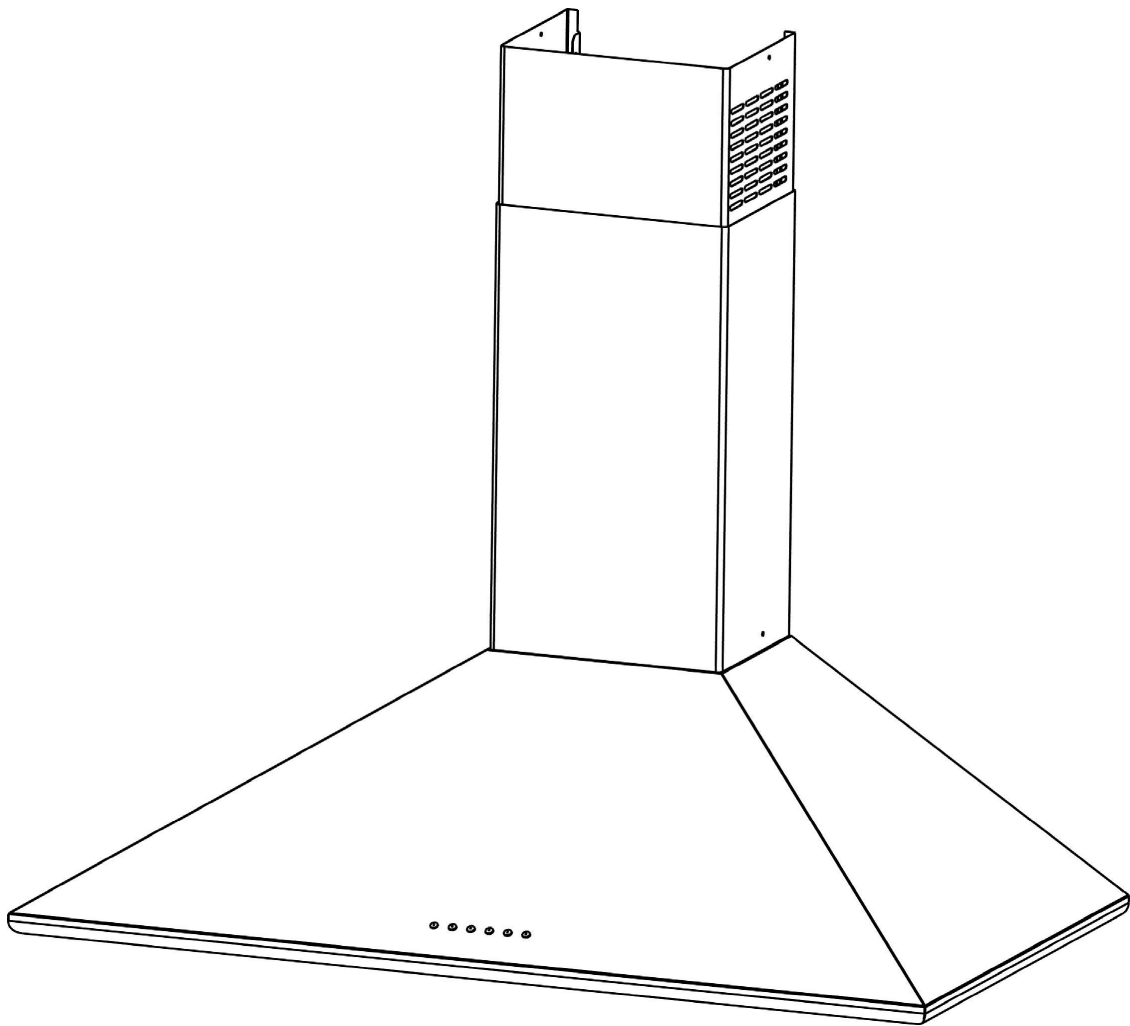


CR PLUS-SERIES

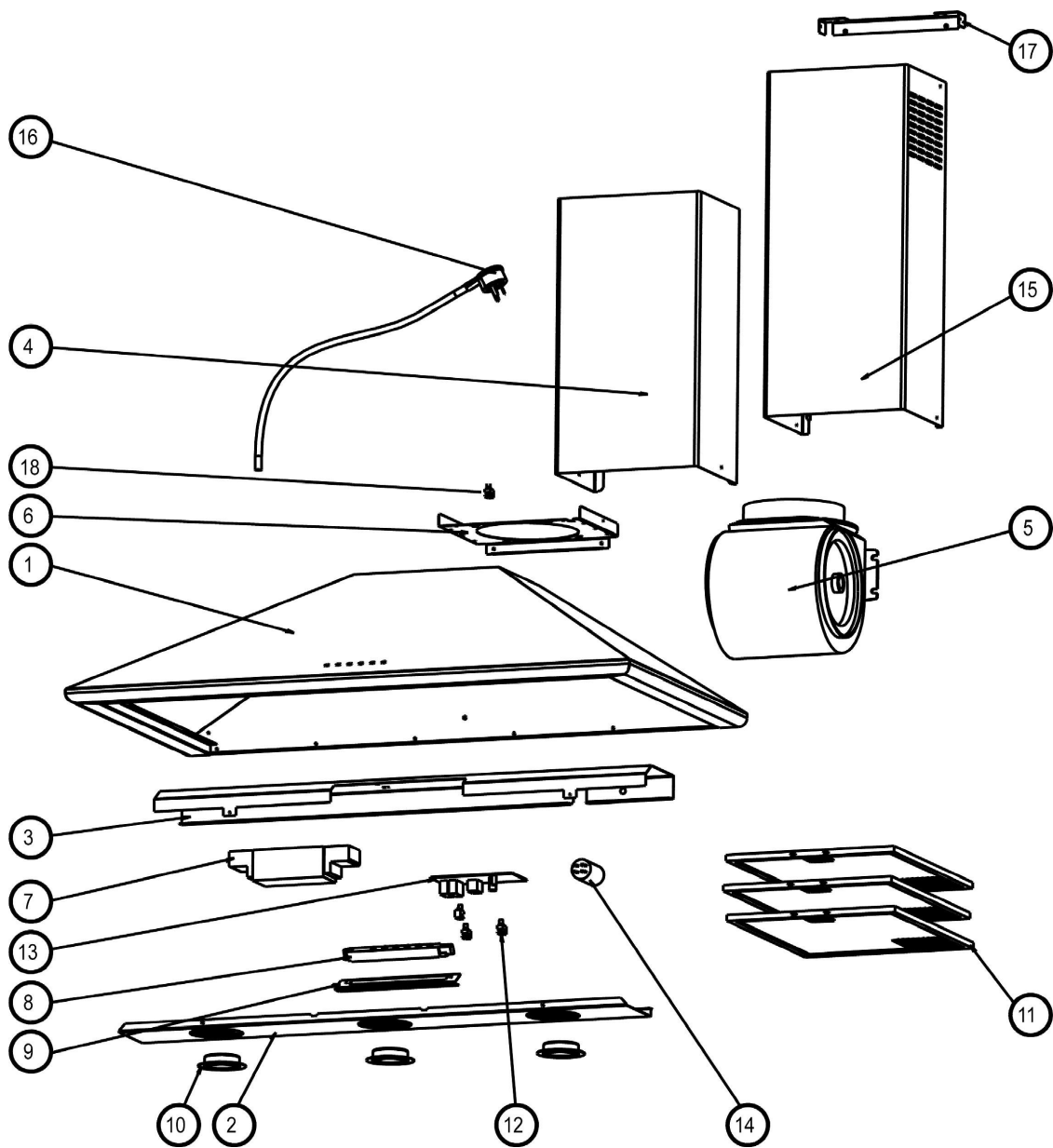


CANOPY RANGE HOOD  
MODEL  
**CR6SS PLUS**  
**CR9SS PLUS**

APPROVED  
ISSUE: G  
ECN 07 033

Page 1 of 4

# CR PLUS-SERIES

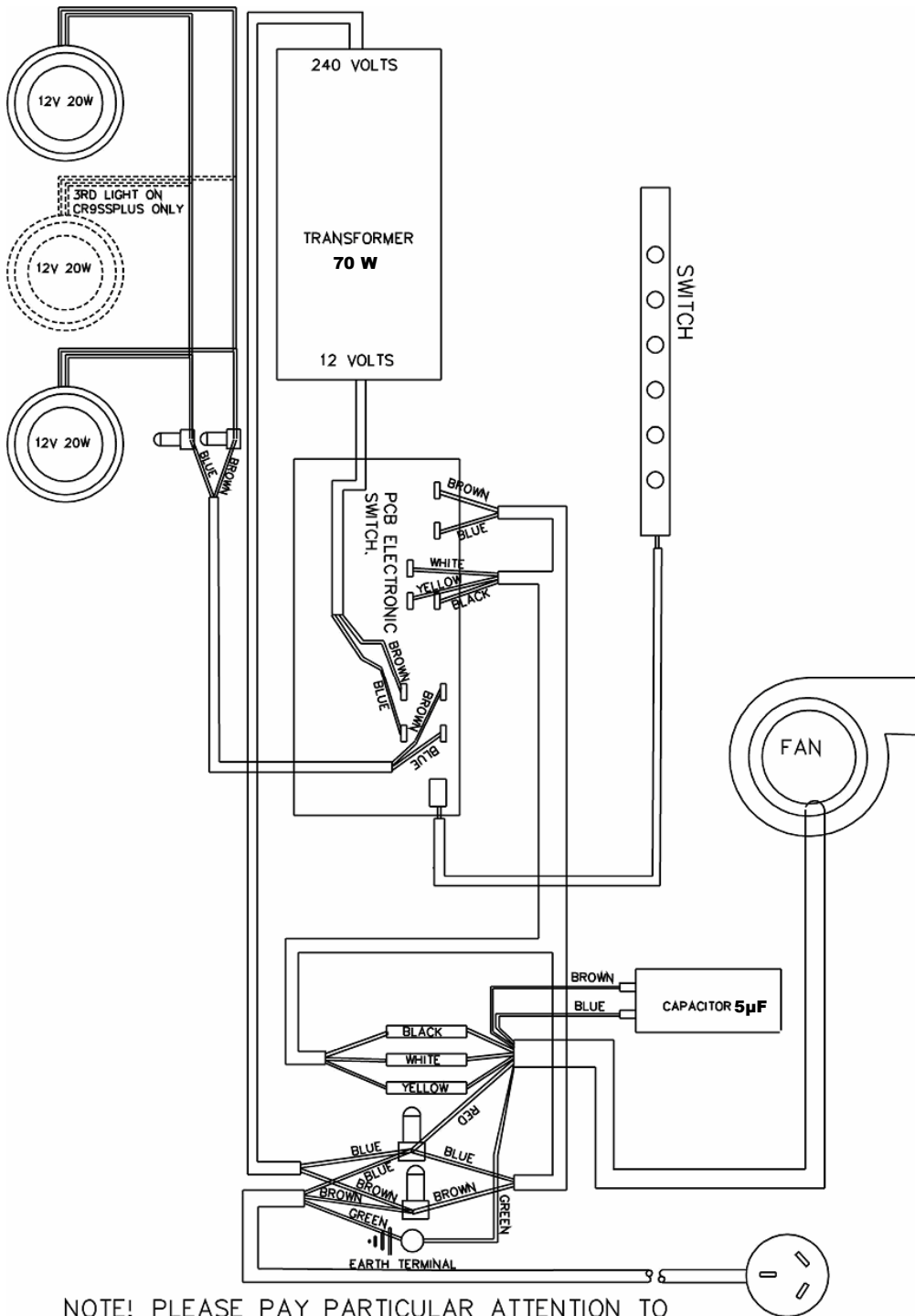


## CR PLUS-SERIES

ITEM	DESCRIPTION	CR6SS	CR9SS
		PART No.	PART No.
1	BODY ASSEMBLY		
2	ELECTRIC PANEL	104595	104594
3	ELECTRIC COVER	104597	104587
4	CHIMNEY BOTTOM	104012	104012
5	FAN MOTOR T2001	104571	104571
6	TOP PANEL	104539	104539
7	MAGNETIC TRANSFORMER	104345	104345
8	SWITCH	104573	104573
9	SWITCH BRACKET	104593	104593
10	HALOGEN LAMP SATIN	104627 POST MAR 2004	
10	HALOGEN LAMP CHROME	104081 PRE MAR 2004	
10	BULB (ONLY)	104467	104467
11	ALUMINIUM FILTER 335 x 267	104163	104163
*11	CHARCOAL FILTER 335 x 267	104165	104165
12	PCB MOUNTING CLIPS	104591	104591
13	PCB ELECTRONIC	104572	104572
14	CAPACITOR	104623	104623
15	CHIMNEY TOP	104013	104013
16	POWER CORD	103821	103821
17	CHIMNEY BRACKET	104008	104008
18	HEYCO BUSH	104044	104044
	MTG. ASSEMBLY KIT	104809SS	104809SS

\* OPTIONAL COMPONENT  
SOME COMPONENTS ARE NOT AVAILABLE OUTSIDE PRODUCTION.

# CR PLUS-SERIES



NOTE! PLEASE PAY PARTICULAR ATTENTION TO WIRING COLOUR WHEN SERVICING THIS APPLIANCE.