

How to Use Hand Tools To Apply Extra-large 7/16" Eyelets

Eyelets are very versatile and can be used on numerous projects! Extra-large eyelets are brass or zinc-coated brass and therefore stronger than some other styles. These heavy-duty eyelets are great to use on bags, parkas or canvas outdoor projects, where durability is important.

Because they are heavier, they also require fabric that is a bit heavier. Always test the eyelet on fabric that is the same weight as the intended project. Plan to double or triple the fabric in the eyelet area for added security. You can also add interfacing or even thin batting between layers to create enough thickness for a stable completed project.

The measurement indicates the interior diameter. A 7/16" eyelet consists of two parts – the front and the washer, which is the back.

You will need the following:

- Your project, hemmed
- 7/16" extra-large eyelets, #661
- Eyelet tool, #661T
NOTE: #660 includes tools
- Straight pins – any style
- Marking pencil
- Hammer
- Sharp scissors

Optional:
Fray Check®

What are the parts called?

Eyelet:

The shaft of the eyelet is called the post

Front

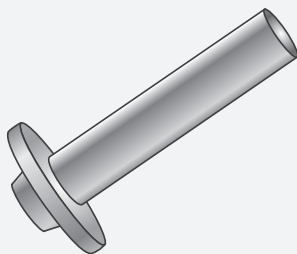


Washer (Back)

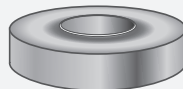


Tools:

Setter



Anvil



TIP:
Because of the heavy-duty nature of extra-large Eyelets, we recommend a hard work surface, such as cement or stone that can withstand the pounding of the hammer to install eyelets.

ALTERNATE NAMES

Did you know that eyelets are often called grommets? Smaller sizes are traditionally referred to as eyelets, while larger sizes are usually called grommets, but don't let the name fool you. Packaging names seem to be interchangeable! Choose the size you want for appearance and use, no matter what they are called.



TECHNIQUE TUTORIAL

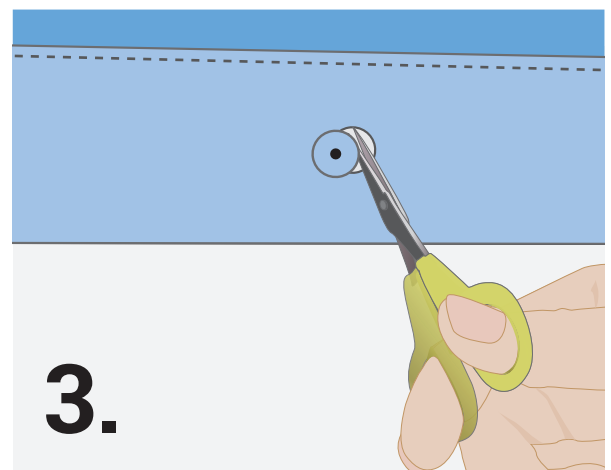
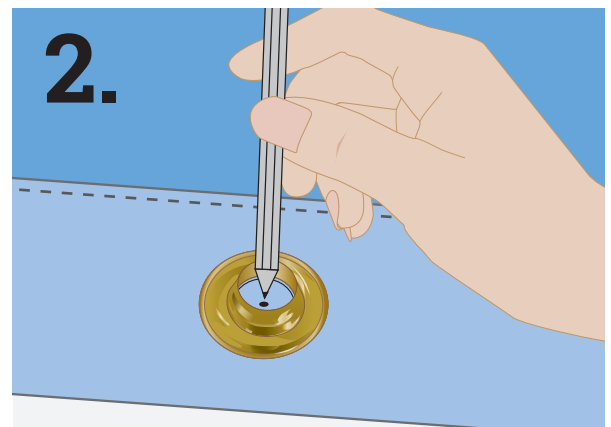
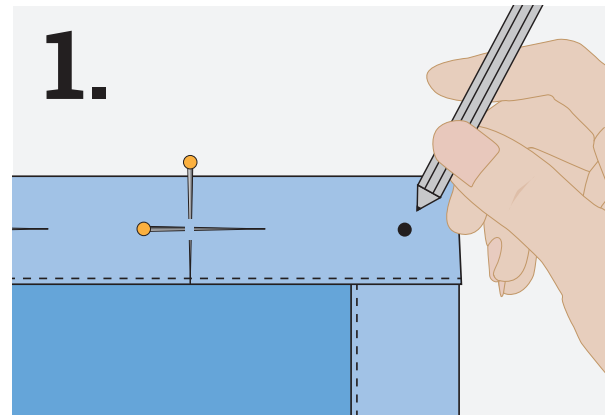
How to Use Hand Tools to Apply Extra-large 7/16" Eyelets:

1. You have measured your project and placed a pin at each eyelet location. (See the tutorial – “How to Measure for Grommet and Eyelet Placement.”) Now, place a mark at each pin intersection.

2. Trace around inside opening of eyelet post at each marked location.

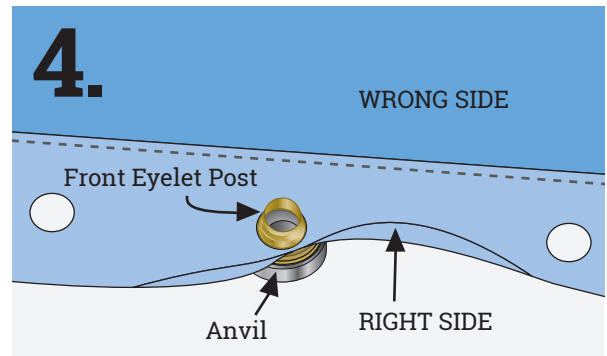
3. Use a sharp scissors to cut out each marked circle.

TIP: For fabric that ravel easily, apply Fray Check® to cut edges of marked circle.



How to Use Hand Tools to Apply Extra-large 7/16" Eyelets:

4. Work on a very hard surface. Insert post of front eyelet through hole from right side to wrong side. Slide anvil under inserted eyelet. The top, rounded side of front eyelet should sit in center of concave anvil.



5. Work with wrong side of project facing up. Eyelet post should extend through hole with anvil underneath.

Place washer over post of front eyelet, teeth side down. Position stud end of setter into post of front eyelet. Use hammer to hit setter forcefully until eyelet is secure and you cannot slip your fingernail between washer and fabric. Edges of post will curl under over washer on back of eyelet.

